

**Presto** LIFTS  
worldwide material handling  
and ergonomic solutions

# Power Stak

## PPS2200-101AS

FOR UNITS SHIPPED PRIOR TO MARCH 2014



## Installation, Operation and Service Manual

Model Number \_\_\_\_\_

Serial # \_\_\_\_\_

Date Placed in Service \_\_\_\_\_

**IMPORTANT: READ CAREFULLY  
BEFORE INSTALLING OR OPERATING LIFT**

Part orders are subject to a \$50 minimum charge.



# Presto Lifts Limited Power Stacker Warranty Policy

Presto Lifts warrants the Power Stacker against defects on the mast, fork carriage, chains, pumps, DC motors, controllers, cylinders and wiring harnesses from faulty material and workmanship for a period of one (1) year from the date of invoice.

All wear items such as batteries, wheels, motor brushes, seals, bearings, hydraulic hoses, all switches, battery chargers and forks have a limited warranty against defects in faulty material and workmanship for a ninety (90) day period from the date of invoice and 30 day limited warranty on labor. Please note that prior authorization from Presto Lifts is required on all warranty work.

There are no implied warranties of any kind, more specifically; there are no warranties of merchantability or fitness for any particular purpose. Presto Lifts' sole warranty shall be as set forth in this limited warranty. Presto Lifts will elect to repair or replace a defective component without charge, if any components should become defective within the limited warranty period. Proof of purchase is required for warranty. The charge for shipping the defective component is the responsibility of the buyer and must be accompanied with an RGA number. The shipping charge to return the component to the buyer is the responsibility of Presto Lifts, Inc.

This limited warranty does not cover labor expense for removal or reinstallation of components after thirty days. This limited warranty shall not cover, among other things: damages resulting from foreign matter or water, failure to provide reasonable and necessary maintenance, and if applicable, use of product while charger is plugged into an AC outlet, or failure to follow operating instructions. The limited warranty is not valid for damage resulting from negligence, accident, unreasonable use, abuse or misuse, exceeding data plate capacities or altering the product without Presto Lifts authorization.

Presto Lifts expressly disclaims and excludes any liability for consequential, incidental, indirect or punitive damages or financial loss to people or property resulting from any breach of warranty or the operation or failure of this product.

Presto Lifts makes no representation that this product complies with local, state, or federal safety/product standards codes. Should this product fail to comply in any way with those codes, it shall not be considered a defect of materials or workmanship. Presto Lifts shall not be held liable for any damages resulting from noncompliance. It is the dealer's responsibility to exercise this limited warranty. This limited warranty is provided to the original purchaser (defined as the original end user) and is nontransferable. This constitutes the complete and final agreement involving Presto Lifts and limited warranty obligations for products.

---

This manual was current at the time of printing. To obtain the latest, most updated version, please contact the Customer Service Department or go to our website: [www.PrestoLifts.com](http://www.PrestoLifts.com) -- you will find a complete list of current Owner's Manuals to print.

# TABLE OF CONTENTS

<b>SECTION 1:</b>	
Limited Warranty .....	2
Introduction.....	4
Responsibility of Owners and Users.....	5
<b>SECTION 2:</b>	
Safety .....	6-7
<b>SECTION 3:</b>	
Installation.....	8
A. Inspection .....	8
B. Removing from Pallet.....	8
C. Preparation for Use.....	8
Wheel Traction & Straddle Leg Set-Up.....	9
<b>SECTION 4:</b>	
Operation.....	10
A. Operating Instructions.....	10
Suggested Daily Operator Checklist.....	11
B. Daily Operations Maintenance Checks.....	11
<b>SECTION 5:</b>	
Battery Maintenance .....	12
A. Preparing to Charge a Battery .....	12
B. Charging the battery.....	12
C. Warnings and Battery Info.....	12
D. Battery maintenance.....	12
E. Charger Operation .....	13
<b>SECTION 6:</b>	
Maintenance.....	13
A. Weekly Operations Maintenance Checks.....	13
B. Monthly Operations Maintenance Checks .....	13
<b>SECTION 7:</b>	
Troubleshooting .....	14
ORDERING REPLACEMENT PARTS.....	46
RESTOCKING POLICY.....	46
RETURN GOODS AUTHORIZATION.....	47

## LIST OF TABLES:

Table 1: PPS2200-101AS Assembly (November 2008 to Present) .....	16
---	----

## LIST OF FIGURES:

Fig. 1: Operational Buttons.....	8
Fig. 2: PPS2200-101AS Exploded View (Prior to Nov. 2008).....	15
Fig. 3: PPS2200-101AS Exploded View (Nov. 2008 to Present).....	17
Fig. 4: PPS2200-101AS Inner Mast (Prior to Nov. 2008) ....	18
Fig. 5: PPS2200-101AS Inner Mast (Nov. 2008 to Present) ....	19
Fig. 6: Cylinder View (Prior to Nov. 2008).....	20
Fig. 7: Cylinder View (Nov. 2008 to Present).....	20
Fig. 8: Caster Wheel Assembly (Prior to Nov. 2008) .....	21
Fig. 9: Caster Wheel Assembly (Nov. 2008 to Present).....	22
Fig. 10: Drive Wheel Assembly.....	23
Fig. 11: Control Pod.....	24
Fig. 12: Steering Assembly (Prior to May 2007) .....	25
Fig. 13: Steering Assembly (Prior to May 2007 - Aug. 2008) ..	26
Fig. 14: Steering Assembly (August 2008 to Present).....	27
Fig. 15: Power Unit Assembly (Prior to Nov. 2008).....	28
Fig. 16: Power Unit Assembly (Nov. 2008 to Present).....	29
Fig. 17: Carriage Assembly .....	30
Fig. 18: Labels & Precautionary Warnings .....	31
Fig. 19: Electric Control Panel (Prior to Nov. 2008) .....	32
Fig. 20: Electric Control Circuit (Prior to Nov. 2008) .....	33
Fig. 21: Wiring (Prior to Nov. 2008) .....	34
Fig. 22: Wiring Diagram (Prior to Nov. 2008).....	35
Fig. 23: Wiring Diagrams (Nov. 2008 to Present) .....	36
Fig. 24: Wiring Diagrams (Nov. 2008 to July 2011) .....	37
Fig. 25: Wiring Diagrams (August 2011 to Present) .....	38
Fig. 26-31: Wiring Diagrams (Nov. 2008 to Present) .....	39-44
Fig. 32: Battery Connection.....	45

## SECTION 1

# INTRODUCTION

This manual attempts to provide all of the information necessary for the safe and proper installation, operation and maintenance of Presto Lifts Inc. battery operated, Power Stak. It is important that all personnel involved with the installation, maintenance or operator of the stacker read this manual. Additional manuals are available upon request or at [www.PrestoLifts.com](http://www.PrestoLifts.com).

Each Presto stacker is equipped with nameplate, serial number and model identifications. Please refer to these numbers when ordering parts or requesting further information.

The Presto stackers are designed for lifting, lowering and positioning a wide variety of loads. WHERE UNIQUE SITUATIONS ARISE, WHICH ARE NOT COVERED IN THIS MANUAL, CALL PRESTO LIFTS FOR FURTHER INSTRUCTIONS.

The battery operated stackers are designed for in-plant/non-hazardous locations only. They can be used in a 8' or larger aisle. These units are not for personnel lifting.

# Responsibility of Owners and Users

## **Inspection and Maintenance**

The device shall be inspected and maintained in proper working order in accordance with Presto's owner's manual.

## **Removal from Service**

Any device not in safe operating condition such as, but not limited to, excessive leakage, missing rollers, pins, or fasteners, any bent or cracked structural members, cut or frayed electric, hydraulic, or pneumatic lines, damaged or malfunctioning controls or safety devices, etc. shall be removed from service until it is repaired to the original manufacturer's standards.

## **Repairs**

All repairs shall be made by qualified personnel in conformance with Presto's instructions.

## **Operators**

Only trained personnel and authorized personnel shall be permitted to operate PowerStak.

## **Before Operation**

Before using the device, the operator shall have:

- Read and/or had explained, and understood, the manufacturer's operating instructions and safety rules.
- Inspected the device for proper operation and condition. Any suspect item shall be carefully examined and a determination made by a qualified person as to whether it constitutes a hazard. All items not in conformance with Presto's specification shall be corrected before further use of the PowerStak.

## **During Operation**

The device shall only be used in accordance with this owner's manual.

- Do not overload.
- Ensure that all safety devices are operational and in place.

## **Modifications or Alterations**

Modifications or alterations to any Presto industrial positioning equipment shall be made only with written permission from Presto.

## SECTION 2

# SAFETY

**You must be trained and certified to operate this powered stacker. Federal law states that only properly trained operators are permitted to operate a powered industrial stacker and that your employer must train you and certify that you are qualified. (OSHA 1910.178 29QFR-7-1-06 Edition)**

**Presto lifts does not offer operator training. Operator training programs may be offered by your local Presto Lifts dealer or obtained online. Enter, “powered industrial truck operator training” into a search engine.**

The battery operated stackers are very powerful lifts capable of doing large amounts of work.

**DO NOT OPERATE THESE LIFTS WITHOUT CAREFULLY READING THIS MANUAL.** In order to provide for the safe operation of these stackers, Presto Lifts Inc. has identified certain hazards that may occur during the maintenance and use of these lifts. For safety reasons these units are designed to be serviced or repaired in the fully lowered position. If performed properly, this will greatly reduce the possibility of injury.

## SAFETY ALERT SYMBOLS AND SIGNAL WORDS

The safety of all persons operating, maintaining, repairing, or in the vicinity of this equipment is of paramount concern. This is a powerful machine with moving parts, and is capable of causing personal injury if proper precautions are not taken. Therefore, throughout this manual, certain hazards have been identified which may occur in the use of the machine, and there are appropriate instructions or precautions which should be taken to avoid these hazards. In some cases, there are consequences which may occur if instructions or precautions are not followed. Below are the symbols and signal words along with their definitions referenced from ANSI Z535.4 - Product Safety Signs and Labels.

### Safety Alert Symbols

These are the safety alert symbols.. They are used to alert you to potential physical injury hazards. Obey all safety messages that follow this symbol to avoid possible injury or death.



**For use with DANGER signal word**  
(Red Background)



**For use with WARNING signal word**  
(Orange Background)



**For use with CAUTION signal word**  
(Yellow Background)

### Signal Words

The meaning of different signal words as defined by ANSI Standard Z535.4 indicates the relative seriousness of the hazardous situation.



(Red Background)

**DANGER** indicates a hazardous situation which, if not avoided, will result in death or serious injury.



(Orange Background)

**WARNING** indicates a hazardous situation which, if not avoided, could result in death or serious injury.



(Yellow Background)

**CAUTION**, used with the safety alert symbol, indicates a hazardous situation which, if not avoided, could result in minor or moderate injury.



(Blue Background)

**NOTICE** is used to address practices not related to personal injury.



(Green Background)

**SAFETY INSTRUCTIONS** (or equivalent) signs indicate safety-related instructions or procedures.

**⚠ WARNING** LIFTING CAPACITY ABOVE 7' IS LIMITED

To avoid bodily injury read, understand and follow all instructions before operating this machine.

Maximum Lifting Capacity	
UP TO 7'	UP TO 8'
2,200 LBS.	1,800 LBS.

Ratings based on 24" Load Center  
See Owner's Manual for details 10055255

**⚠ WARNING** LIFTING CAPACITY ABOVE 7' IS LIMITED

To avoid bodily injury read, understand and follow all instructions before operating this machine.

Maximum Lifting Capacity			
UP TO 7'	UP TO 8'	UP TO 10'	UP TO 12'
2,200 LBS.	1,800 LBS.	1,500 LBS.	1,200 LBS.

Ratings based on 24" Load Center  
See Owner's Manual for details 10055255

**⚠ WARNING** LIFTING CAPACITY ABOVE 7' IS LIMITED

To avoid bodily injury read, understand and follow all instructions before operating this machine.

Maximum Lifting Capacity		
UP TO 7'	UP TO 8'	UP TO 10'
2,200 LBS.	1,800 LBS.	1,500 LBS.

Ratings based on 24" Load Center  
See Owner's Manual for details 10055255

**⚠ WARNING**

When servicing the unit:

1. Key should be in "OFF" position.
2. E-stop should be depressed.
3. Disconnect the batteries at the terminals.
  - Do not perform any repair work on lifts if there is a load on the forks or platform.
  - Do not perform any repair work if the forks or platform is in the raised position.
  - All personnel must stand clear of the lift while in motion.
  - Do not put hands or feet under the forks or platform.
  - Do not stand underneath the forks or platform.
  - Do not stand in front of the stacker while in motion.
  - Do not stand, sit or climb on the lift.
  - Do not use the lift on soft, uneven or unstable surfaces.
  - Do not exceed the load center or capacity.

**⚠ WARNING**

**You or others around you can be seriously injured or even killed if you don't use this stacker correctly. Read and obey all warnings and instructions in this manual and on the stacker. It is your responsibility before starting work to make sure it is in good working order.**

Always be alert to the area around you and watch where you are walking. Be careful that you don't get pinned or crushed between the stacker and a fixed object such as a wall or post.

- Watch your hands and feet. A foot or hand caught

between the stacker and a fixed object will be crushed or even cut off.

- If traveling forks first, keep both hands on the control handle and be careful when changing direction of travel. Keep your feet clear of the stacker.
- Keep the stacker under control at all times. Operate at a speed that allows you to stop safely. Be even more careful on slippery or uneven surfaces. Do not run over objects on the floor.
- Perform all stacker movements smoothly and at a speed that will give you time to react if an emergency occurs.

Tipovers and falls are very serious accidents; you can be crushed or even killed. To prevent injury, know where you are at all times and follow the rules of safe stacker operation.

- Be careful when working around docks, dockboards and trailers. Stay away from the edge of docks and ramps. Check to make sure the wheels of truck or trailers are chocked.
- Travel with the load or forks close to the ground. Watch for overhead obstructions. Perform all stacker movements smoothly and at a speed that will give you time to react in an emergency.
- Keep your hands and feet away from all moving parts such as masts, chains, forks or wheels.
- Never stand on or under the forks, or allow anyone else to stand on or under them. Never ride on the stacker or allow anyone else to ride. There is no safe place to sit or stand.
- Before you leave your stacker, be sure to lower the forks to the floor. Shut the stacker off with the key.

**⚠ WARNING**

- DO NOT** use this stacker until you have been trained and authorized to do so.
- DO NOT** operate until you have read all warnings and instructions.
- DO NOT** exceed load center or load weight capacities (check capacity plate).
- DO NOT** operate until you have checked the conditions of the stacker: lift systems, forks, chains, and cables.
- DO NOT** use if any part is damaged, worn or not working properly.
- DO NOT** use on ramps or inclines. Only smooth level surfaces.
- DO NOT** use for lifting or carrying people.
- DO NOT** handle unbalanced, unstable or loosely stacked loads.
- DO NOT** travel with forks or platform in an elevated position.
- DO NOT** handle tall, unsecured or unstable loads that could fall.
- DO NOT** allow people to stand or pass under forks or platform with or without load.
- DO NOT** operate when parts of anyone's body may be close to mast structure or any moving parts.
- DO NOT** drop loads on platform or forks.
- DO NOT** alter or modify this stacker in any way.

## **SECTION 3**

# **INSTALLATION**

### **A. INSPECTION:**

Upon receipt of the stacker, inspect the equipment completely to determine if there is any shipping damage, and that the lift is complete. Presto tests and inspects every piece of equipment prior to shipment. If damage is apparent, a freight claim must be filed with the freight company. Do not use the stacker if there appears to be any damage. With the stacker in a lowered position, check the following:

- Check for signs of damage especially to the back cabinet that houses the battery, electrical/hydraulic power pack.
- Check all electrical and hydraulic connections for tightness.
- Remove back panel.
  1. Turn key switch to “OFF” position.
  2. Push in E-stop and unscrew the red knob,
  3. Lift off back panel. There is enough wire to the key switch to allow the panel to be set aside.
- Inspect for any bent or damaged parts.

### **B. REMOVING FROM PALLET**

Each of the Presto stackers is shipped out on a pallet or skid. Prior to removing the unit from the pallet or skid, remove all tie down straps and packaging. Visually inspect the unit as closely as possible.

With an overhead hoist or forklift, carefully pick up the unit taking into consideration the center of gravity of the unit. If you choose to pick the unit with an overhead hoist, use a nylon sling and hoist with a minimum of 2,000-lb. capacity. The nylon sling will not do any damage to the steel construc-

tion of stacker. Pick the unit up. On conventional masts use the top cross member of the lift. On narrow masts the cover must be removed to access lifting equipment. Be careful of the stacker swinging once fully lifted off the pallet or skid. Have all personnel completely cleared from the area.

Pick the unit up approximately six inches above the pallet or skid. Once raised, remove the pallet or skid from below the lift. Do not move the lift around in the air. Lower the stacker on the ground.

### **C. PREPARATION FOR USE**

This stacker left our factory in new condition. It has been inspected and weight tested to assure all performance standards have been met.

Visually inspect the stacker for damage. Check for attachments and accessories that may have been ordered. If there is any damage or missing parts, report it to your carrier and your Presto dealer immediately.

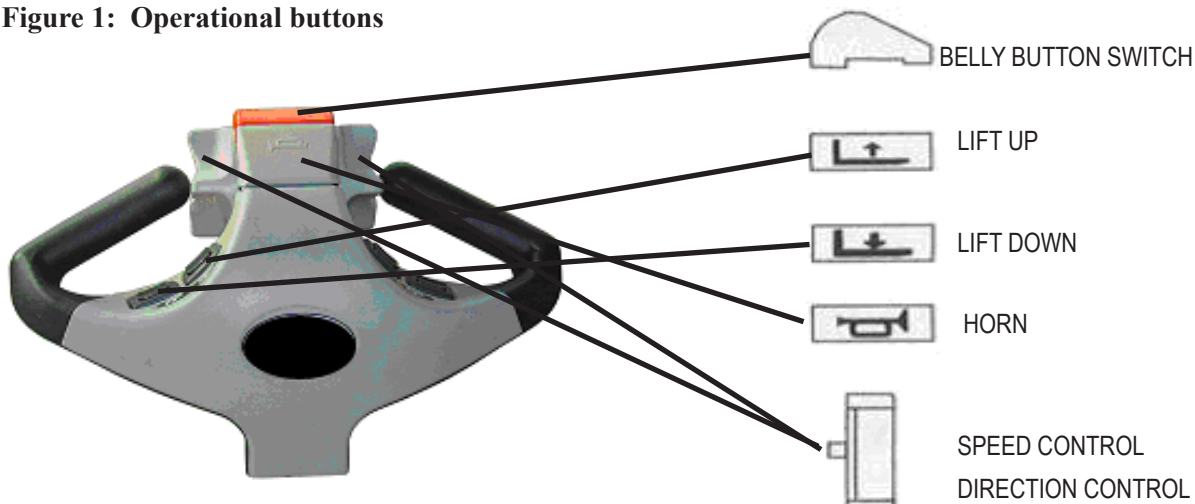
Remove all metal/plastic bands, cardboard and other material used for shipping purposes.

Check to see if chains are in place, and that the lift system is in working order. Inspect for oil leaks.

See instructions for removing back panel on pg. 5.

Connect battery cable. Check cables and wires on battery charger as well as battery.

**Figure 1: Operational buttons**





## CRITICAL PROCEDURE FOR PROPER WHEEL TRACTION

### Proper Drive Wheel traction is obtained for the PowerStak Straddle unit using this Procedure

All PowerStak Models are designed and intended to operate on an unfinished concrete floor surface. If any PowerStak is operated on smooth or polished concrete, sealed concrete, epoxy sealed floor, linoleum or other smooth surfaces Drive Wheel traction performance may be affected; If traction issues are encountered Rubber Drive Wheels are available through special order. **Please contact Customer Service at Presto Lifts 1-800-343-9322**

When any PowerStak is operated on a wet, oily, powdery, sandy or non-uniform liquid or granular surface Drive Wheel traction performance **will** be affected and loss of traction will occur.

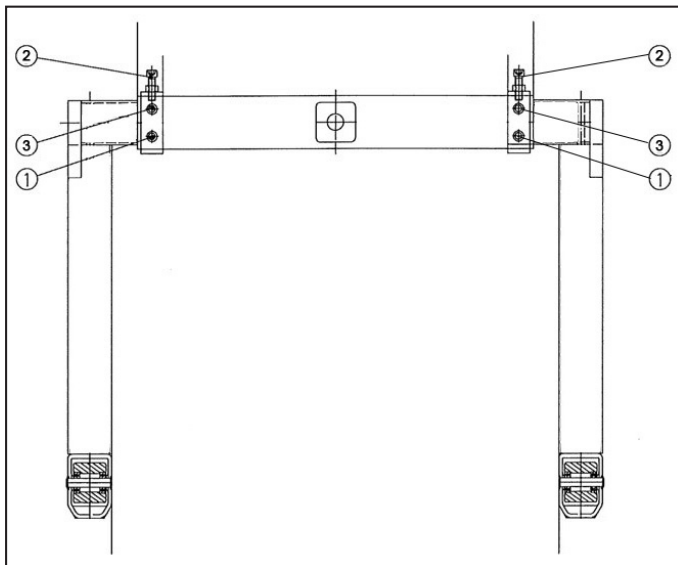
### SET-UP PROCEDURE FOR POWERSTAK STRADDLE LEGS

#### NOTE: STRADDLE LEGS **MUST** BE ADJUSTED IN ACCORDANCE WITH THIS PROCEDURE

1. PowerStak unit located on flat, clean uniform surface, unloaded, forks raised a minimum of 1" off the floor
2. Determine the desired/required straddle width dimension (2 inches greater than pallet width, 1" on each side of the pallet or load, up to a maximum of 50 inches inside width)
3. Be sure to fully loosen all bolts before moving stabilizing legs. Adjust one stabilizer leg at a time – using a pry bar, pinch bar, rubber mallet etc. move the straddle leg out from the base tube to the desired position. Do not move too far, see picture below, if the ¼" wide painted White Line is visible the leg is pulled out too far; Maximum movement 5 ½" for each leg for 2200 pound units.
4. Adjust second Straddle Leg – using a pry bar, pinch bar, rubber mallet etc. move the straddle leg out from inside the base tube to the desired straddle width position.
5. **Straddle Legs must be symmetrically adjusted, both legs adjusted to the same extended dimension!**

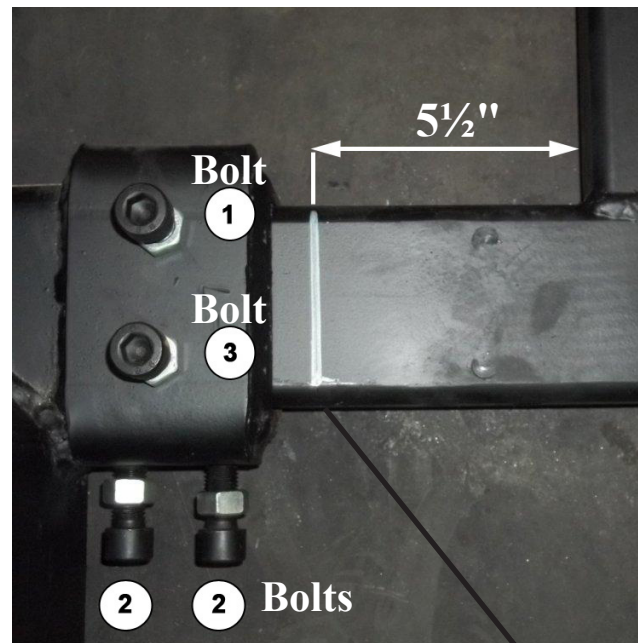
### CRITICAL – STRADDLE BOLT TIGHTENING SEQUENCE & PROCEDURE

#### Set up procedure for PowerStak Straddle legs with 3 or 4 Bolts:



Back off all bolts and follow steps.

- First - tighten Bolt 1 to **85 foot pounds**.  
Second - tighten Bolt(s) 2 to **85 foot pounds**.  
Third - tighten Bolt 3 to **25 foot pounds** - *NOT 85*.  
Last - securely tighten all lock nuts.



**NOTE:** —————  
When adjusted correctly, white line cannot be seen.

## **SECTION 4**

# **OPERATION**

### **A. OPERATING INSTRUCTIONS:**

#### **To Raise and Lower:**

There are two buttons located on both sides of the handle. The inside one is for raising the forks. The outside one is for lowering the forks. When operating, always make sure the load being lifted is within the loading capacity of your stacker and the load has been stacked safely on the pallet. Also, make sure that the length of the forks corresponds to the length of the pallet. In this way, the load rollers will place themselves in the opening at the end of the pallet, so that when you raise the forks, you will not break the bottom boards of the pallet. Always make sure that when entering the pallet that the forks are in the fully lowered position. Be careful when lifting pallets that are too short or too long for the stacker. It might destroy your pallet by breaking the bottom boards, and if the forks project through the end of the pallet, the tips of fork may go into the next pallet that is behind the pallet that you are lifting, which may bend the tips of forks and overload the capacity of the stacker.

#### **To Travel:**

To travel, rotate the butterfly controls throttle on the upper part of the handle. When rotating the butterfly control CW towards the forks, the stacker runs forwards in the forks first direction. When rotating the butterfly CCW towards you, the stacker runs backwards in the handle first direction. Always make sure the stacker clears any obstruction when traveling, and that your path of travel is clear of people. Never carry loads above the loading capacity of the stacker. It is suggested that when traveling without a load, the forks be in the lowered position. The speed of the stacker is increased by the degree of the rotation in either direction; it functions like a throttle. When you release your hand from the butterfly control, it automatically will resume to the neutral position and the speed of the stacker will slow down.

#### **To Brake:**

Your stacker is equipped with a magnetic brake. The brake is applied when the handle is in its vertical position between 10 – 15 degrees and lowered position between 80 – 90 degrees. The brake could be released when you pull down the handle at any point between 15 – 80 degrees. Always make sure the brake is released before operating the stacker. When the stacker is running, you could brake the stacker by raising the handle to its vertical position or lowering the handle to its lowest position. Or, to turn the butterfly controls in the opposite direction, the change in direction of the motor will slow down, stop, and reverse the direction of stacker. **When**

**parked**, always put the handle in the full vertical position with the brake applied and the forks in lowered position.

#### **Reversing Safety:**

At the end of the handle there is a large, red reversing bar (belly button switch) that is designed to protect the operator from injury. When the operator runs the stacker backwards, and the end of the handle comes in contact with the operator's body, the stacker will automatically reverse direction and travel away from the operator. When the reversing safety bar comes in contact with your body during operation, immediately release your hands from the butterfly control and put the handle up to its vertical position or down to its lowest position and the brake is on. The reversing safety bar will automatically resume to its original position after being activated.

#### **Horn:**

As standard equipment, a horn that is located on the top of the handle.

**AUTHORIZED OPERATORS SHOULD READ  
AND UNDERSTAND ALL INSTRUCTIONS,  
PRECAUTIONS AND WARNINGS.  
IMPROPER USE OF THIS LIFT TRUCK COULD  
RESULT IN INJURY AND/OR DAMAGE  
TO LOAD AND EQUIPMENT.**

## DAILY OPERATOR CHECK LIST

### CHARGE CONDITION/BATTERY CHECK LIST

1. Check Battery Discharge Indicator (Fuel Gage and Hour Meter) – Be sure unit is showing **proper Charge Level** before operating unit
2. Check to be sure **Charging Cord** is **Unplugged** and properly stowed before operating unit
3. Inspect Battery Wire Connections – All connections should be tight with **No Corrosion** (white powder) showing at the **Battery Terminals**
4. Inspect Battery Case – There should be **no cracks or visible damage** to the **Battery Case**

### WALK AROUND INSPECTION

1. Check general condition of Stacker (loose or broken parts, oil, dangling wires, dents, cracked covers etc.)
2. Check metal frame, mast, carriage and front load supports for cracked welds, worn or flat rollers, loose or disconnected chains, loose pins, missing snap rings, and loose or missing hardware – bolts, nuts washers etc.
3. Check for evidence of hydraulic leaks
4. Make sure all precautionary labeling is in place and legible

### FUNCTIONAL INSPECTION

1. Check Drive – Forward and Reverse Function
2. Check Lift – Up and Down Function
3. Check Function for Belly Button Reverse
4. Check Horn Function
5. Check Brake Function

OPERATOR ID \_\_\_\_\_ DATE \_\_\_\_\_

**DO NOT USE OR OPERATE STACKER IF ANY FUNCTION IS NOT OPERATING PROPERLY OR IF STACKER APPEARS UNSAFE IN ANYWAY**

**REPORT CONCERNS TO SUPERVISOR IMMEDIATELY!**

- Inspect the lift for damaged or worn parts. *Do not* use if not in safe operating condition.
- Use lift on hard level surfaces only.
- Make sure load is evenly distributed, not loose or unstable, and is as far back on platform or forks as possible. *Do not* pick up loads on tips or forks or edge of platform.
- For fork models, adjust forks to the maximum practical width. Pick up loads on both forks.
- *Do not* overload. Check load center and load weight capacities on the nameplate.
- Make sure travel and work area is clear of obstructions.
- Check overhead clearance before lifting loads or transporting.

## B. DAILY OPERATIONS MAINTENANCE CHECKS:

- Battery**
  - Check for corroded and loose terminals. A white powder substance will be present if there is any existing corrosion.
  - Visually inspect for any cracks or damage to the casing.
  - Check for loose battery tie-downs.
- Charger**
  - Inspect wire connections.
  - Check power cord for nicks/damage.
  - Check power charger for proper mounting.
- Hydraulic System**
  - Inspect pump and cylinder for oil leaks.
  - Check hydraulic oil level.
  - Check hydraulic fittings and hoses.
  - Check ram for nicks/damage.
- Frame Assembly**
  - Check chain roller assembly connections.
  - Check for any worn or damaged parts.

**NOTICE**

**When to charge the battery?**

**Allow the machine to stand idle for at least one hour. Check the Battery Discharge Indicator. If 6 bars or less are lit, it is time to charge the battery.**

**See owner's manual for charging instructions.**



### VOLTAGE

- Approx. 12.7 V..... Fully charged
- Approx. 12.2 V..... 1/2 charged
- Approx. 12.0 V..... 1/4 charged
- Approx. 11.6 V..... Discharged

## SECTION 5

# BATTERY MAINTENANCE

## A. PREPARING TO CHARGE A BATTERY

- Always turn off E-stop and key switch before working with the batteries.
- Be sure the area around the stacker and the battery is well ventilated while battery is being charged.
- The battery terminals, connections and wiring connections should be clean and free of corrosion. When cleaning any of these components wear a face shield or other suitable protective eyewear.

## B. BATTERY CHARGING

Charging must be performed with the charger that is provided with or prewired into the machine. During charging, the temperature in the battery must not exceed 120 F. Charging simultaneously with truck operation is not recommended. Plug the charger into a 115 volt outlet. Charge until the battery gauge indicator lights show fully charged (approximately 6-8 hours).

## C. WARNINGS AND BATTERY INFORMATION

Avoid use of open flame near batteries. At temperatures around freezing point, battery capacity is reduced by 30%. The battery terminals, connections and wiring should be clean and free of corrosion. When cleaning any of these components, wear a face shield or other suitable protective eyewear. Read, understand, and follow all battery and battery manufacturer's specific precautions while working with and/or charging batteries.

## D. BATTERY MAINTENANCE

To measure the voltage, use a digital voltmeter (DC) on the battery poles. The truck must not have been in use for the previous 30 minutes.



**Never alter the AC cord or plug provided. If it will not fit outlet, have proper outlet installed by a qualified electrician. Improper connection can result in a risk of an electric shock.**

- Disconnect the charger from the 115 volt wall outlet once the indicators read fully charged.

**Note: The batteries are designed for intermittent use. Continual usage will wear the battery out and charging will be required.**

## E. CHARGER OPERATION

### Power Lamp

1. Green: Connection correct. Charger will operate normally.
2. Red: Bad connection or bad battery.

### Fault

1. Red light blinks 3 times in 5 seconds: The output between charger is faulty, loose, or bad connection
2. Red light blinks 5 times in 5 seconds: The temperature is too hot for the charger to operate.
3. Building power is not compatible; too low or too high. +/- 10% is the general rule.

### Charge Lamp

1. Red: Charger can charge normally. The battery is less than 70%
2. Orange: Battery is between 70% and 100% charged.
3. Green: Battery is at 100%. Fully charged.
4. No light: The charger can not charge the battery. Voltage of the battery may be too low to cause the charger to start. It must be at 9 volts to initiate charge.

## SECTION 6 MAINTENANCE

Operation of Presto Power Stak is very simple — as is their construction. They require very little maintenance. Reasonable care will result in excellent trouble-free performance. The Power Stak is designed for one-man operation and ease of performance.

- Grease floor wheels and casters at least once a month.
- Use only Hydraulic Oil AW32 or Dextron III in the hydraulic system.
- *Do not* overload your lift.
- Check brakes, steering mechanisms and controls before each use.

### A. WEEKLY OPERATIONS MAINTENANCE CHECKS:

1. **DAMAGE:** Check for bent, dented, worn or broken parts.
2. **LIFT SYSTEM:** Check to assure that there is no binding or excessive play in the forks. Check for quiet and smooth operation of the lift cylinder. Check all moving parts and linkage.
3. **LEAKS:** Check hydraulic system for leaks and hydraulic oil level.
4. **WHEELS AND CASTERS:** Check for wear and that

they are turning smoothly.

5. **LIFT CHAINS:** Check to see that they are in place and not loose.
6. **FORKS:** Check that they are not bent or cracked.
7. **BRAKES:** Ensure brakes work properly.
8. **CABLES; WIRES:** Check that there are no loose cables or wires.
9. **LABELS:** Ensure all precautionary labels and guards are in place.

### B. MONTHLY OPERATIONS MAINTENANCE CHECKS:

1. **Battery (maintenance free)**
  - A. Clean terminals.
  - B. Clean battery compartment area if there are signs of corrosion.
2. **Hydraulic System**
  - A. Clean and inspect hydraulic cylinder.
  - B. Lubricate chain with a rust inhibitive lubricant (light machine oil).
  - C. Check chain tension. It should be even on both chains. The chain should be tight enough so that it does not come off of the roller assembly.
3. **Frame Assembly**
  - A. Clean and lubricate all roller bearings, cam followers and all moving parts.
  - B. Clean and inspect all welds.
  - C. Check wheels for wear and damage.
  - D. Inspect nameplate for legibility. Place the serial and model number shown on the nameplate on the cover of the manual for future reference.
4. **Electrical**
  - A. Check batteries, motors, controllers, limit switches, electrical conductors and connections.



**DO NOT USE LIFT IF IT IS NOT OPERATING  
PROPERLY, OR APPEARS UNSAFE IN ANY WAY!**

## **SECTION 7**

### **TROUBLESHOOTING**

**Before starting the troubleshooting, you have to:**

- A. Put the truck on an even and solid surface.
- B. Turn off key switch or disconnect the battery terminals.

#### **1. Unit will not lift (motor does not run)**

- Faulty wiring from fuse to lift switch in handle
- Faulty lift switch
- Faulty wiring from battery positive terminal to pump contactor to pump motor
- Burned out brushes in pump motor
- Low hydraulic pressure caused by:
  - Pressure relief valve needs adjustment
  - Pump check valve stuck open
  - Faulty solenoid valve
- Faulty wiring from lift switch to solenoid
- Faulty lift contactor
- Defective control circuit fuse
- Chain or roller bound
- Check oil level

#### **2. Forks will not lower**

- Look for binding in chains or rollers

#### **3. No electrical power**

Dead Batteries:

- Key switch on "OFF" position
- E-stop button depressed
- Loose or dirty battery connections
- Blown fuse(s)
- Faulty wiring from fuse to travel control switch
- Faulty control switch
- Faulty wiring from travel control switch direction contactor
- Faulty contactor

#### **4. No Traction**

- Idler wheel needs adjustment

## **IDLER WHEEL ADJUSTMENT**

The following is a procedure for adjusting the idler wheel on the Presto PowerStak. Under normal conditions this should not be necessary because the idler wheel has been adjusted at the factory.

Tools Needed:

Phillips head screw driver

Medium crescent wrench

1 block of wood (2 x 4)

1. Place unit on a flat surface.
2. Turn key to the OFF position and push emergency stop button down.
3. Remove the 2 screws from the main orange cover that covers the unit.
4. Remove the emergency stop button by unscrewing.
5. Slide the main cover up and place the block of wood under the right hand side to hold open exposing the idler wheel and adjusting the screw.
6. With the adjustable wrench loosen the jam nut on the idler wheel adjusting screw.
7. Loosen the adjusting screw until you have no tension between the adjusting screw and idler wheel. You will have some play between the idler wheel and the left front wheel.
8. Now tighten the screw until you just make contact with the idler wheel. Continue adjusting until the idler wheel just touches the floor.
9. Tighten jam nut. You may have a slight rocking back and forth, from the left front to right rear idler wheel, but this is not uncommon.
10. Now remove the wooden block and lower the cover back into place inserting the 2 screws and tighten. Screw the E-stop button back on.
11. Your adjustment is complete

**If the wheel is worn, replace wheel.**

Figure 2:

# PPS2200-101AS Exploded View

Prior to November 2008

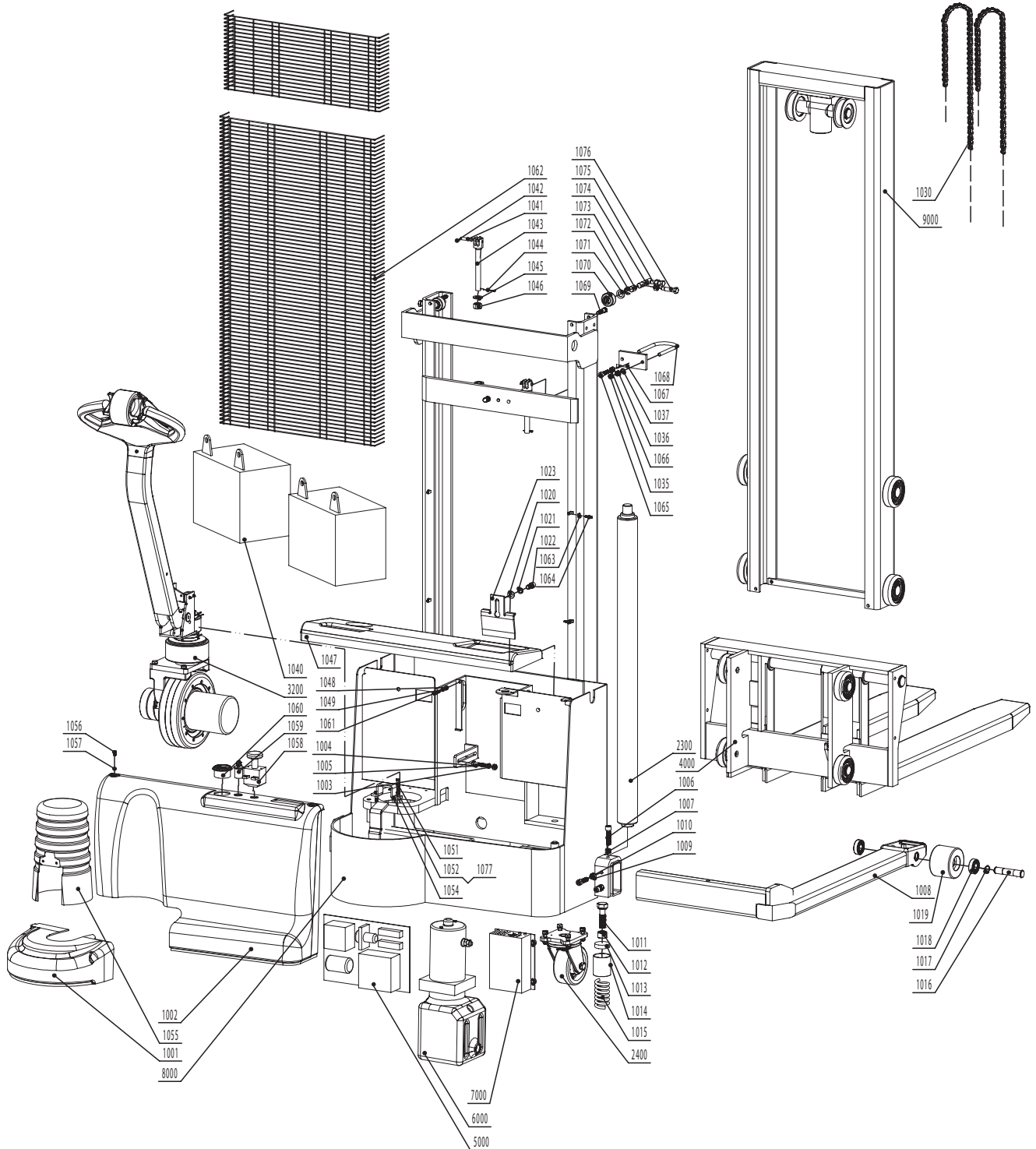


Table 1:

## PPS2200-101AS Assembly

November 2008 to Present

Item	Description	Qty	Item	Description	Qty
2300	Cylinder	1	1037	Flat washer 10	2
2400	Rear wheel	2	1040	Battery	2
3000	Drive wheel assembly	1	1041	B-Pin ?8x40	1
3100	Handle assembly	1	1042	Pin ?2.5x12	1
3200	Steering assembly	1	2043	Chain pole	1
4000	Lifting mechanism	1	1044	Pin ?1.5x25	1
5000	Electric system	1	1045	Flat washer 16	1
6000	Power unit	1	1046	Nut M16	1
7000	Battery charger	1	1047	Battery Cover	1
8000	Body weld	1	1048	Nut M6	2
9000	Inner mast	1	1049	Spring washer 6	2
1001	Drive wheel cover	1	1051	Bolt M6x35	2
1002	Rear box cover	1	1052	Spring washer 6	2
1003	Nut M6	2	1054	Cover lock plate	1
1004	Bolt M6x25	2	1055	Round cover	1
1005	Spring washer 6	2	1056	Bolt M5x10	1
1006	Bolt M12x50	2	1057	Flat washer 5	2
1007	Nut C-grade M12	2	1058	E-Stop	1
1008	Leg assembly	2	1059	Key Switch	1
1009	Nut C-grade M12	4	1060	Battery meter	1
1010	Bolt	4	1061	Bolt M5x25	2
1011	Bolt M20x65	1	1062	Safety net	1
1012	Nut C-grade M20	1	1063	Safety net lock plate	6
1013	Upper fix plate	1	1064	Bolt M4x10	6
1014	Spring sleeve	1	1065	Bolt M10x40	1
1015	Spring	1	1066	Nut C-grade M10	1
1016	Front wheel axle	2	1067	Press plate	1
1017	Washer ?20	2	1068	U bolt	1
1018	Bearing 6204	4	1069	Bolt M10x10	2
1019	Front wheel	2	1070	Idler wheel	2
1020	Flat washer 12	2	1071	Flat washer 16	4
1021	Spring washer 12	2	1072	Ring 16	4
1022	Bolt M12x25	2	1073	Lubricate bearing (no oil)	2
1023	Battery lock plate	2	1074	Idler wheel axle	2
1030	Chain LH 1233	1	1075	Nut M12	4
1035	Nut M10	2	1076	Adjustable bolt	4
1036	Nut M10	2	1077	Flat washer 6	6



Figure 3:

# PPS2200-101AS Exploded View

November 2008 to Present

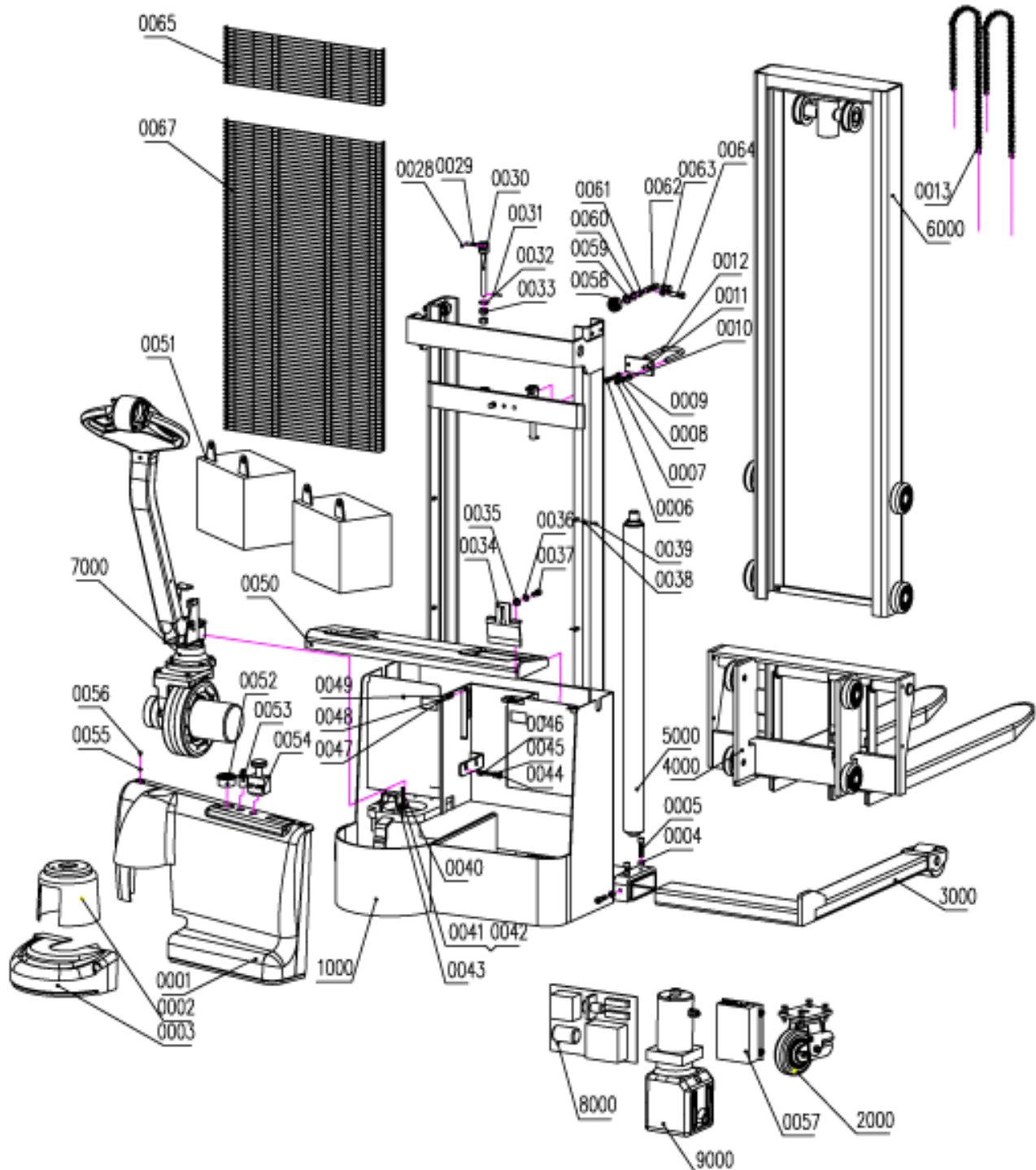
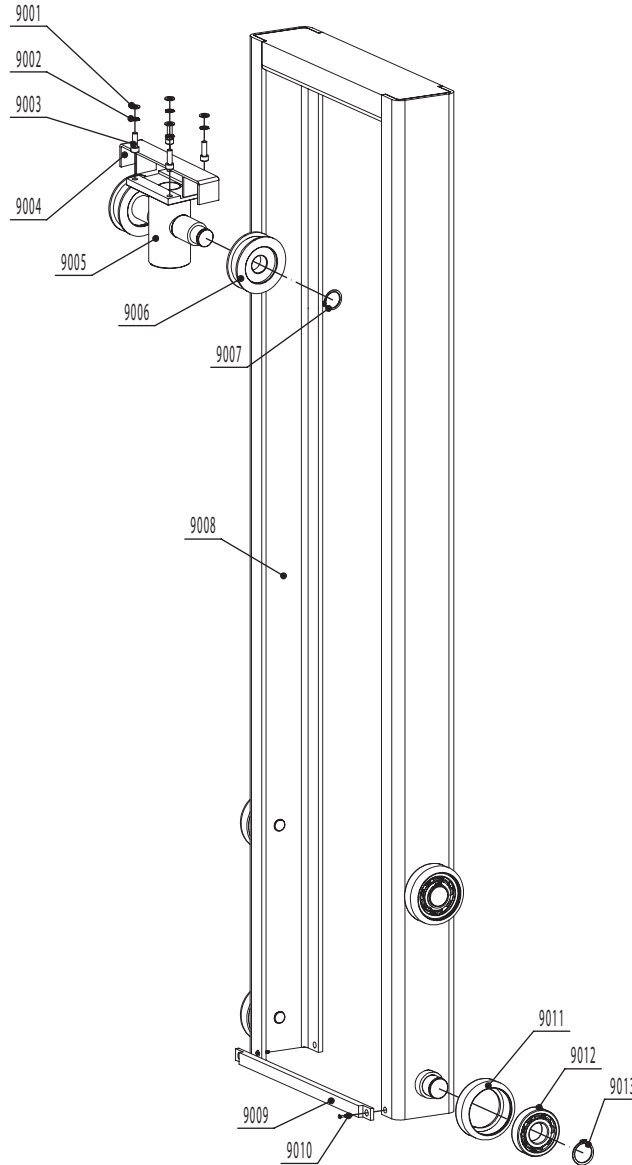


Figure 4:

## PPS2200-101AS

### Inner Mast

Prior to November 2008

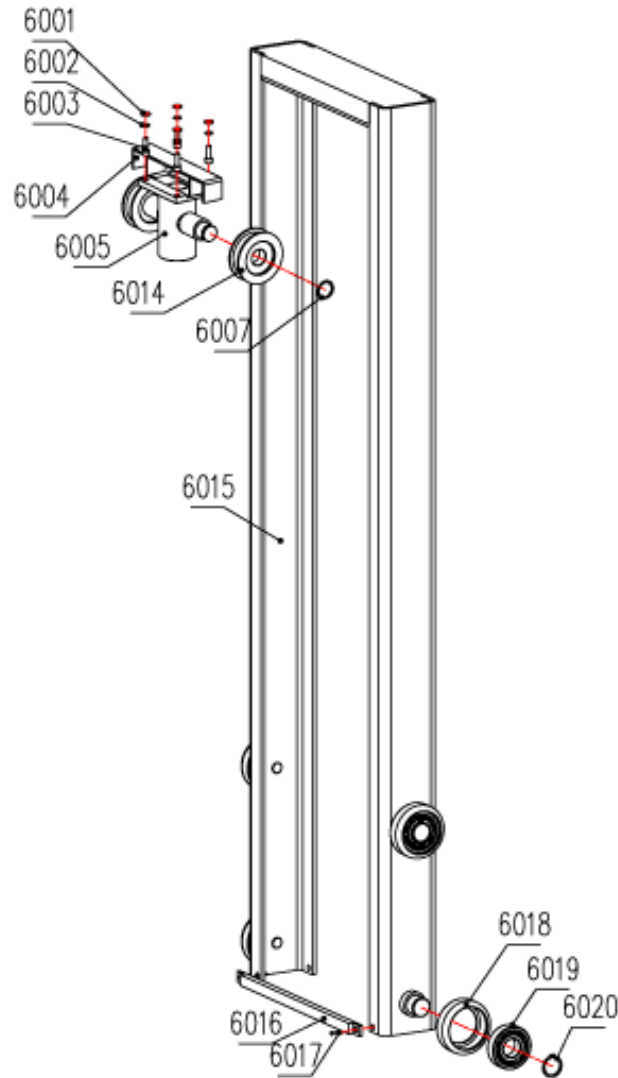


Item	Description	Qty	Item	Description	Qty
9001	Flat washer 8	4	9008	Inner mast weld	1
9002	Spring washer 8	4	9009	Nether bean	1
9003	Bolt M8x25 M10	4	9010	Bolt M10x25	2
9004	Chain wheel protect plate	1	9011	Idler wheel cover	4
9005	Chain wheel frame weld	1	9012	Bearing 6307	4
9006	Chain wheel (special bearing)	2	9013	Washer 35	4
9007	Washer 30	2			

Figure 5:

**PPS2200-101AS  
Inner Mast**

**November 2008 to Present**



Item	Description	Qty	Item	Description	Qty
6001	Flat Washer 8	4	6015	Inner Mast Weld	1
6002	Spring Washer 8	4	6016	Mast Bottom Beam	1
6003	Bolt M8X25 M10	4	6017	Bolt M10x25	2
6004	Chain Wheel Protect Plate	1	6018	Idler Wheel Cover	4
6005	Chain Wheel Frame Weld	1	6019	Bearing 6307	4
6007	Snap Ring 30	2	6020	Snap Ring 35	4
60014	Chain Wheel (Special Bearing)	2			

Figure 6:

Prior to November 2008

**Cylinder View  
PPS2200-101AS**

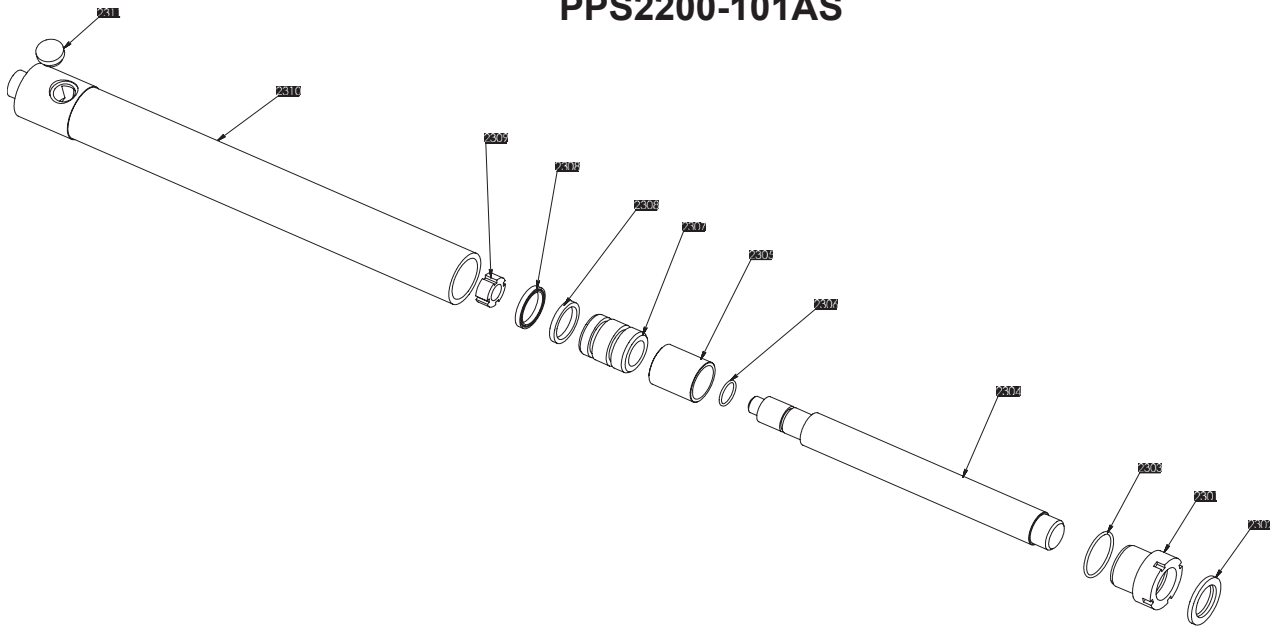
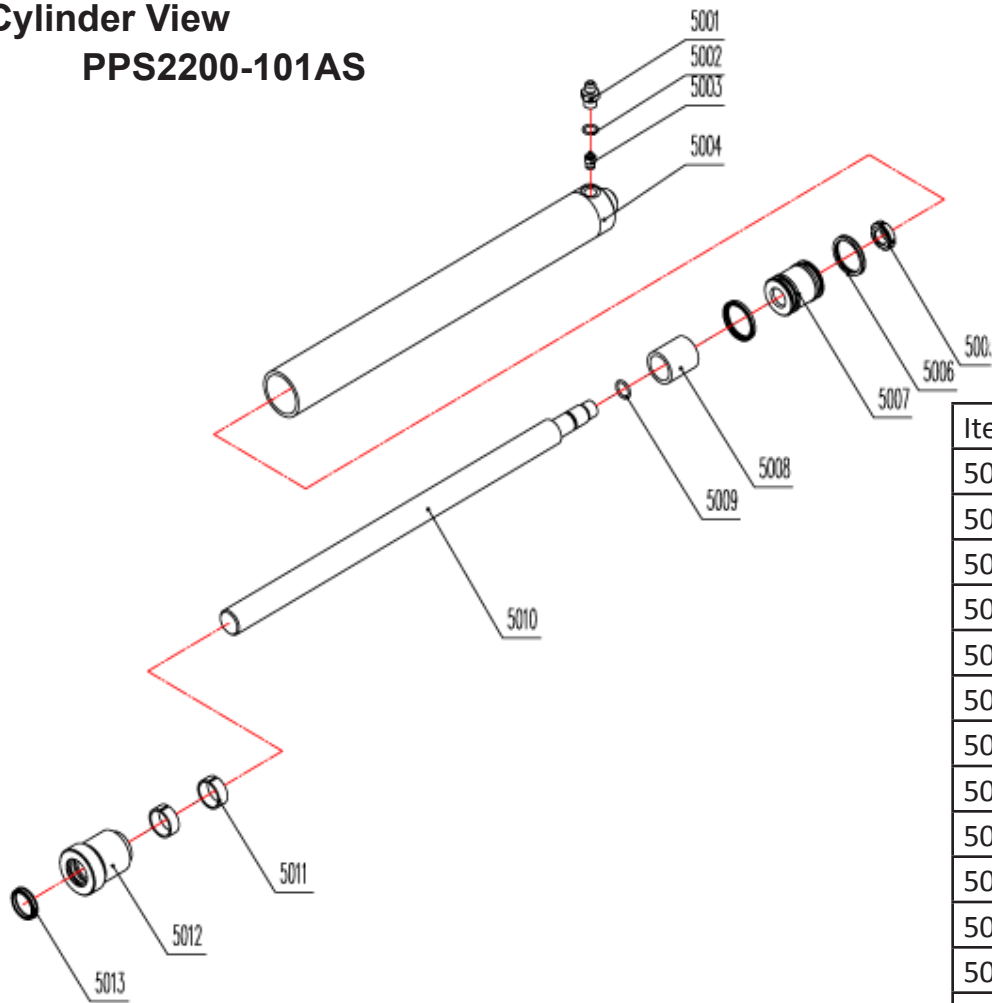


Figure 7:

November 2008 to Present

**Cylinder View  
PPS2200-101AS**

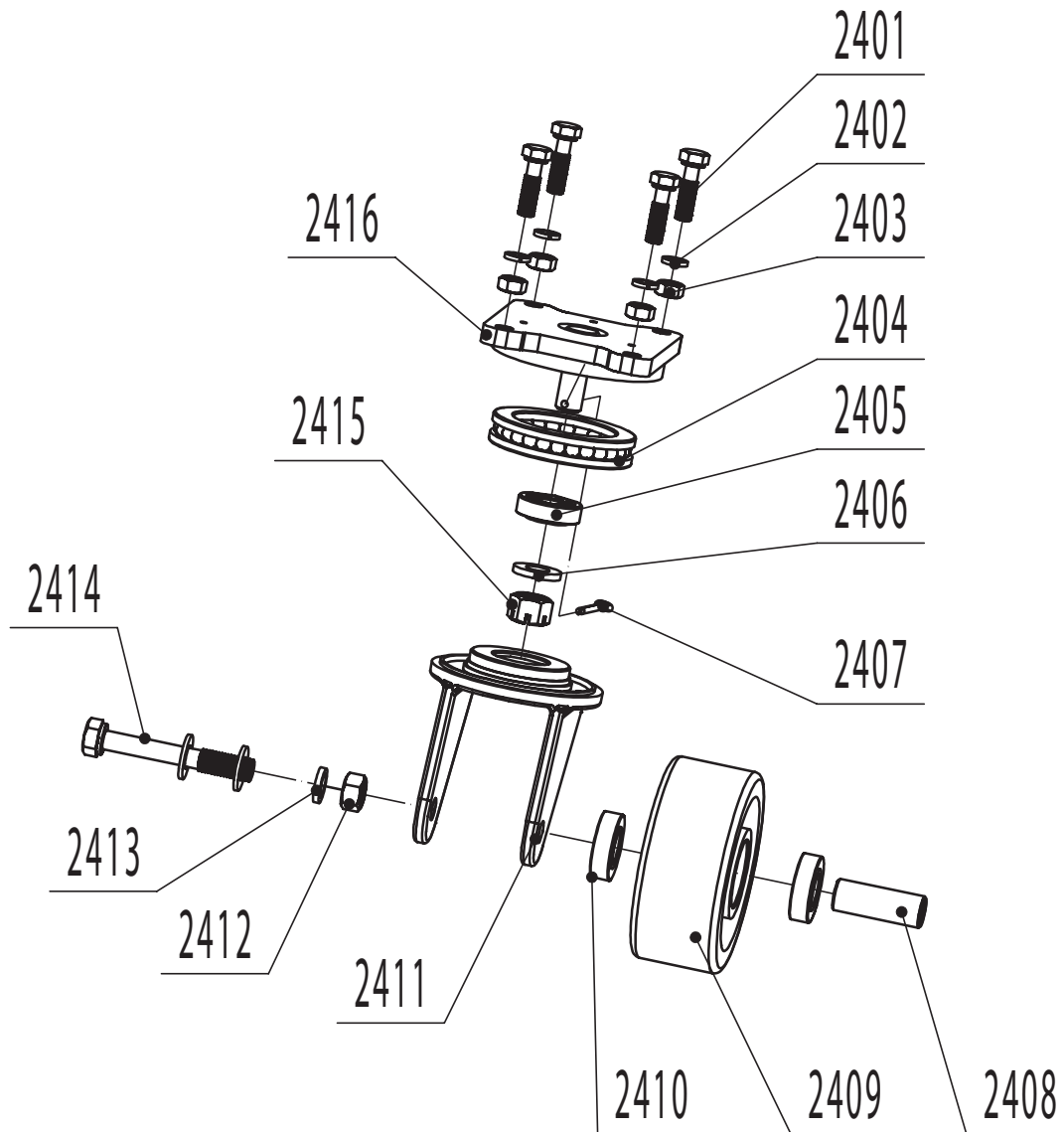


Item	Description	Qty
5001	Fitting	1
5002	O Ring	1
5003	Velocity Valve	1
5004	Cylinder Barrel	1
5005	Nut	1
5006	U Ring	2
5007	Piston	1
5008	Spacer	1
5009	O Ring	1
5010	Piston Rod	1
5011	Wearable Ring	2
5012	Direction Sleeve	1
5013	Dustproof Ring	1

Figure 8:

Prior to November 2008

**Caster Wheel Assembly  
PPS2200-101AS**

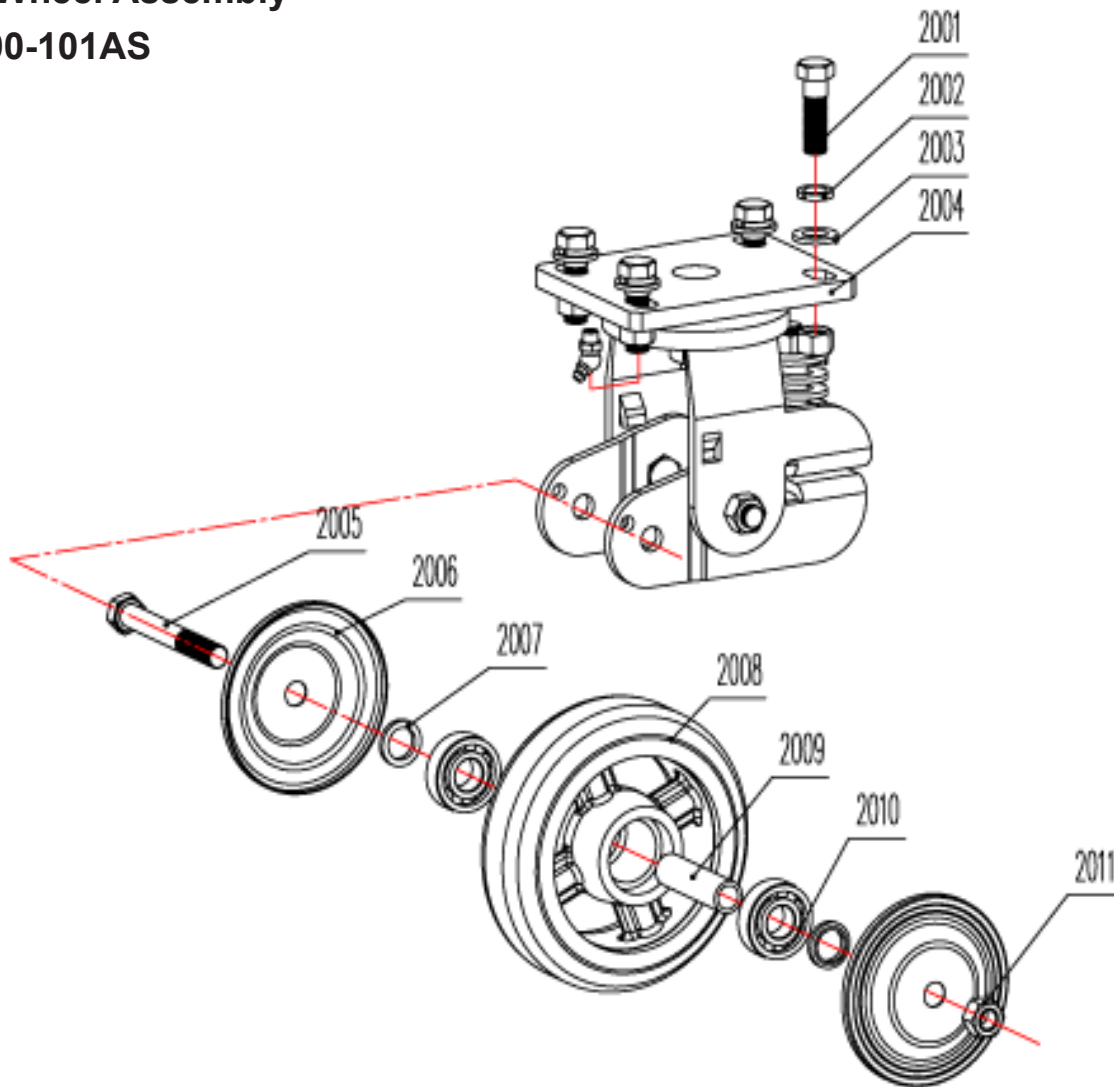


Item	Description	Qty	Item	Description	Qty
2409	Wheel 128x55	1	2401	Bolt M10x35	4
2410	Bearing 6004	2	2402	Spring washer 10	4
2411	Wheel frame	1	2403	Nut M10	4
2412	Nut M14x1.5	1	2404	Bearing 51113	1
2413	Spring washer 14	3	2405	Bearing	1
2414	Bolt M12x1.5-100	1	2406	Flat washer	1
2415	1-type Nut C-grade	1	2407	Pin 3.2	1
2416	Wheel plate	1	2408	Sleeve	1

Figure 9:

**Caster Wheel Assembly  
PPS2200-101AS**

**November 2008  
to Present**



Item	Description	Qty
2001	Bolt M12X40	4
2002	Spring Washer M12	4
2003	Flat Washer M12	4
2004	Wheel Frame	1
2005	Bolt M12X90	1
2006	Wheel Side Cover	2
2007	Bearing Ring	2
2008	Wheel	1
2009	Sleeve	1
2010	Bearing	2
2011	Nut M12X90	1

**Drive Wheel Assembly  
PPS2200-101AS**

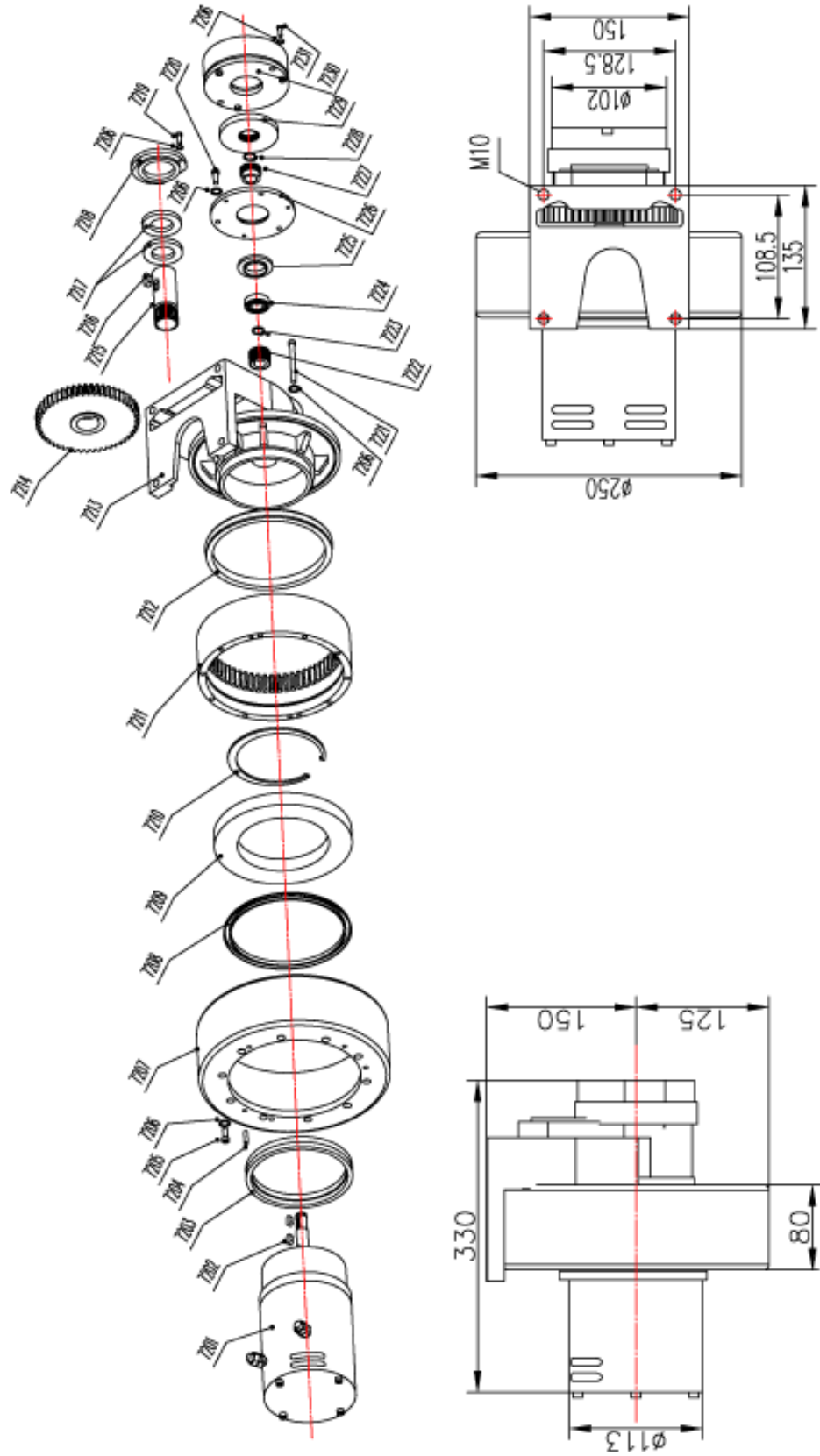
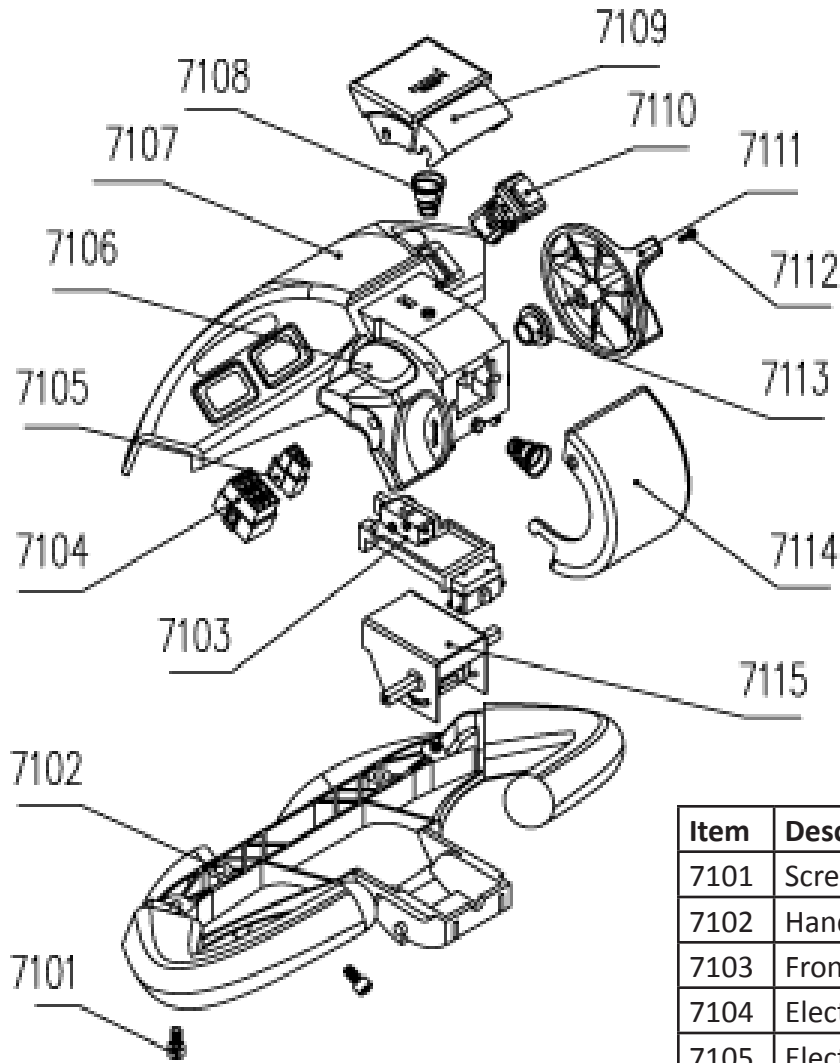


Figure 10:

**Figure 11:**  
**Control Pod**  
**PPS2200-101AS**

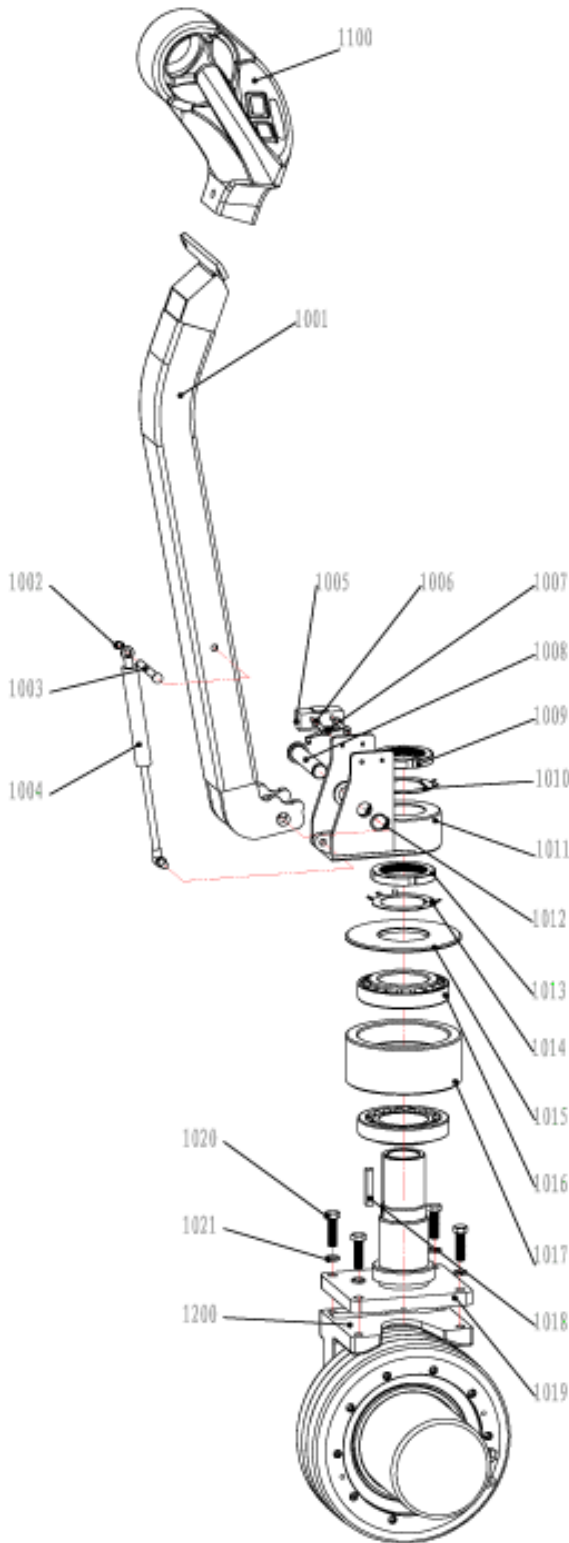


Item	Description	Qty
7101	Screw M6X12	3
7102	Handle Bottom Cover	1
7103	Front Button	1
7104	Electrical Outlet (big)	1
7105	Electrical Outlets (small)	1
7106	Left Handle Cover	1
7107	Upper Cover	1
7108	Spring	2
7109	Horn Button	1
7110	Button Group	1
7111	Right Handle Cover	1
7112	Bolt M3X10	2
7113	Washer	2
7114	Switch Cover	1
7115	Switch	1



**Figure 12:**  
**Prior to May 2007**

**Steering Assembly**  
**PPS2200-101AS**

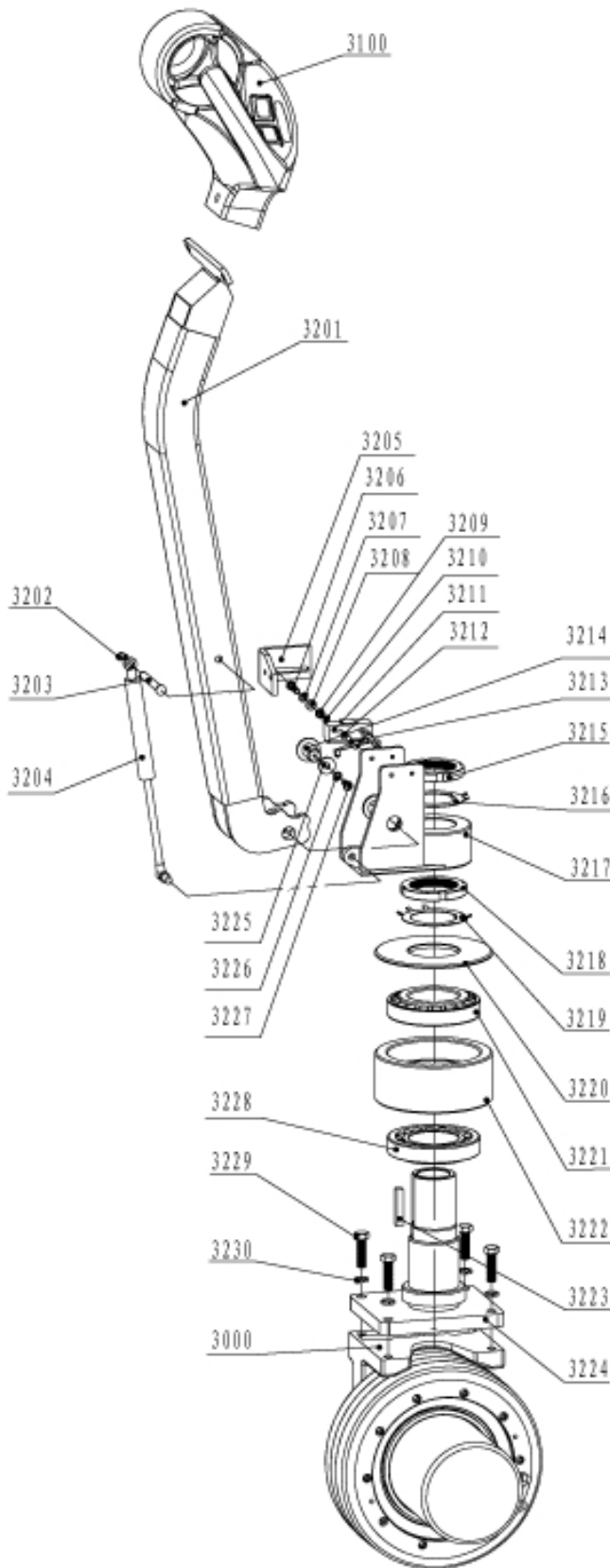


Item	Description	Qty
1100	Handle	1
1001	Handle joint pipe weld	1
1002	Washer 8	1
1003	Bearing Pin	1
1004	Spring	1
1005	Limited Switch	1
1006	Washer C Grade	2
1007	Bolt M5x28	2
1008	Joint pipe pin	1
1009	Nut M5x1.5	1
1010	Nut washer 52	1
1011	Handle joint base weld	1
1012	Washer 18	1
1013	Nut M5x2	1
1014	Nut washer 56	1
1015	Cover	1
1016	Bearing 30212	2
1017	Bearing sleeve	1
1018	A type flat key 8x45	1
1019	Turing shaft weld	1
1020	Bolt M10x30	4
1021	Spring washer 10	4
1200	Drive wheel 700W	1

Figure 13:

May 2007 to August 2008

Steering Assembly  
PPS2200-101AS

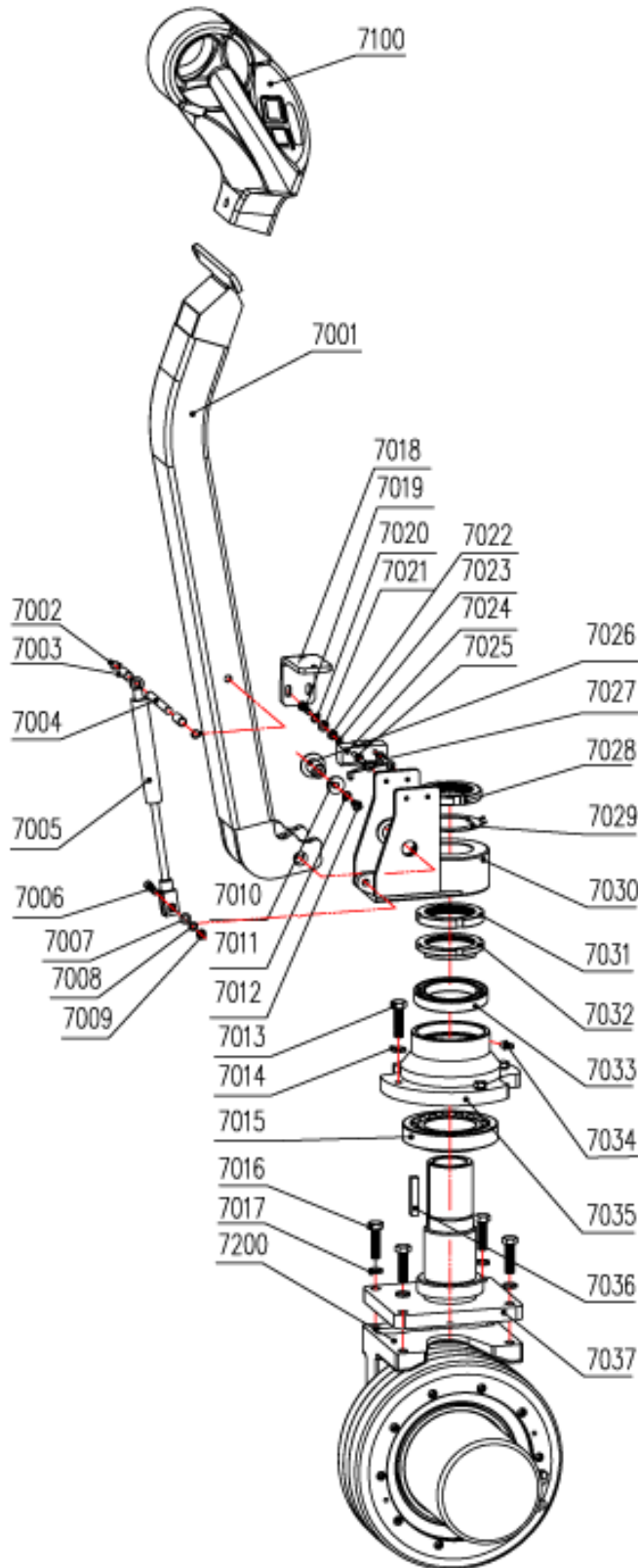


Item	Description	Qty
3100	Handle	1
3201	Handle pipe weld	1
3202	Washer 8	1
3203	Pin	1
3204	Air spring	1
3205	Cover lock plate	1
3206	Bolt M6x25	2
3207	Spring washer 6	2
3208	Washer 6	2
3209	Nut M6	2
3210	Nut M4	2
3211	Travel switch	1
3212	Flat washer 4	2
3213	Bolt M4x25	2
3214	Short thread screw	2
3215	Round nut M52x1.5	1
3216	Lock washer 52	1
3217	Handle base weld	1
3218	Round nut M56x2	1
3219	Lock washer 56	1
3220	Press cover	1
3221	Bearing 6212	1
3222	Bearing sleeve	1
3223	A-flat key 8x45	1
3224	Steering weld base	1
3225	Washer	2
3226	Spring washer 6	2
3227	Bolt M6x12	2
3228	Bearing 30212	1
3229	Bolt M10x30	4
3230	Spring washer 10	4
3000	Drive wheel (700W)	1

Figure 14:

**Steering Assembly  
PPS2200-101AS**

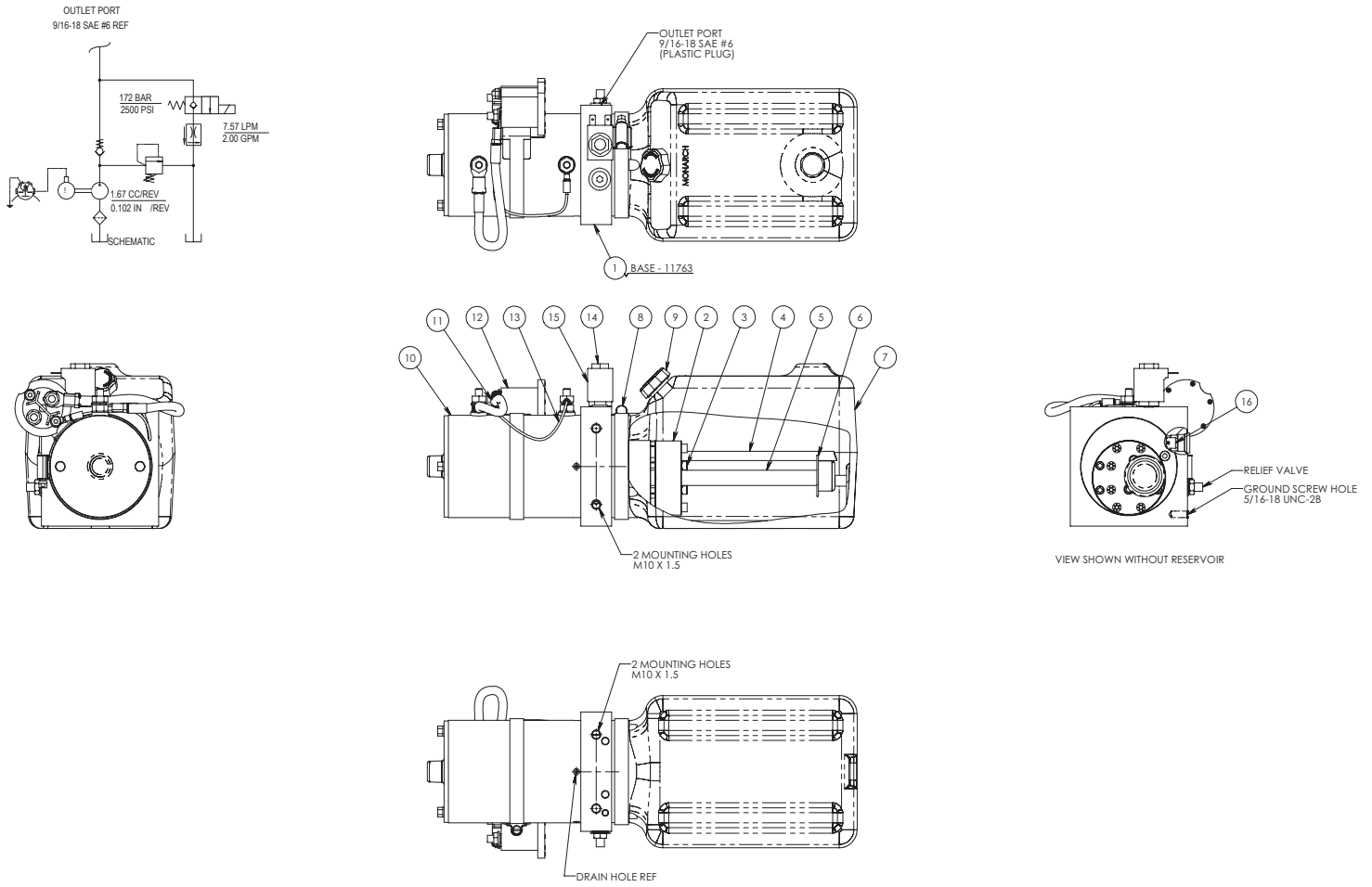
**August 2008 to Present**



Item	Description	Qty
7100	Handle	1
7001	Handle Pipe Weld	1
7002	Snap Ring 8	1
7003	Holder	2
7004	Pin	1
7005	Air Spring Bearing	1
7006	Bolt M8X30	1
7007	Flat Washer 8	1
7008	Spring Washer 8	1
7009	Nut M8	1
7010	Washer	2
7011	Spring Washer 6	2
7012	Bolt M6X12	2
7013	Bolt M10X30	4
7014	Spring Washer 10	4
7015	Bearing 33013	1
7016	Bolt M10X30	4
7017	Spring Washer 10	4
7200	Drive Wheel (700W)	1
7018	Cover Holder	1
7019	Bolt M6X25	2
7020	Spring Washer 6	2
7021	Flat Washer 6	2
7022	Nut M6	2
7023	Nut M4	2
7024	Travel Switch	1
7025	Flat Washer 4	2
7026	Short Screw	2
7027	Bolt M4X25	2
7028	Round Nut M52X1.5	1
7029	Lock Washer 52	1
7030	Handle Connect Base	1
7031	Round Nut M56X2	1
7032	Washer	1
7033	Bearing 61812	1
7034	Oil Fitting M8X1	1
7035	Drive Wheel Holder	1
7036	A-Flat Key 8X45	1
7037	Steering Base Weld	1

Figure 15:

Prior to November 2008



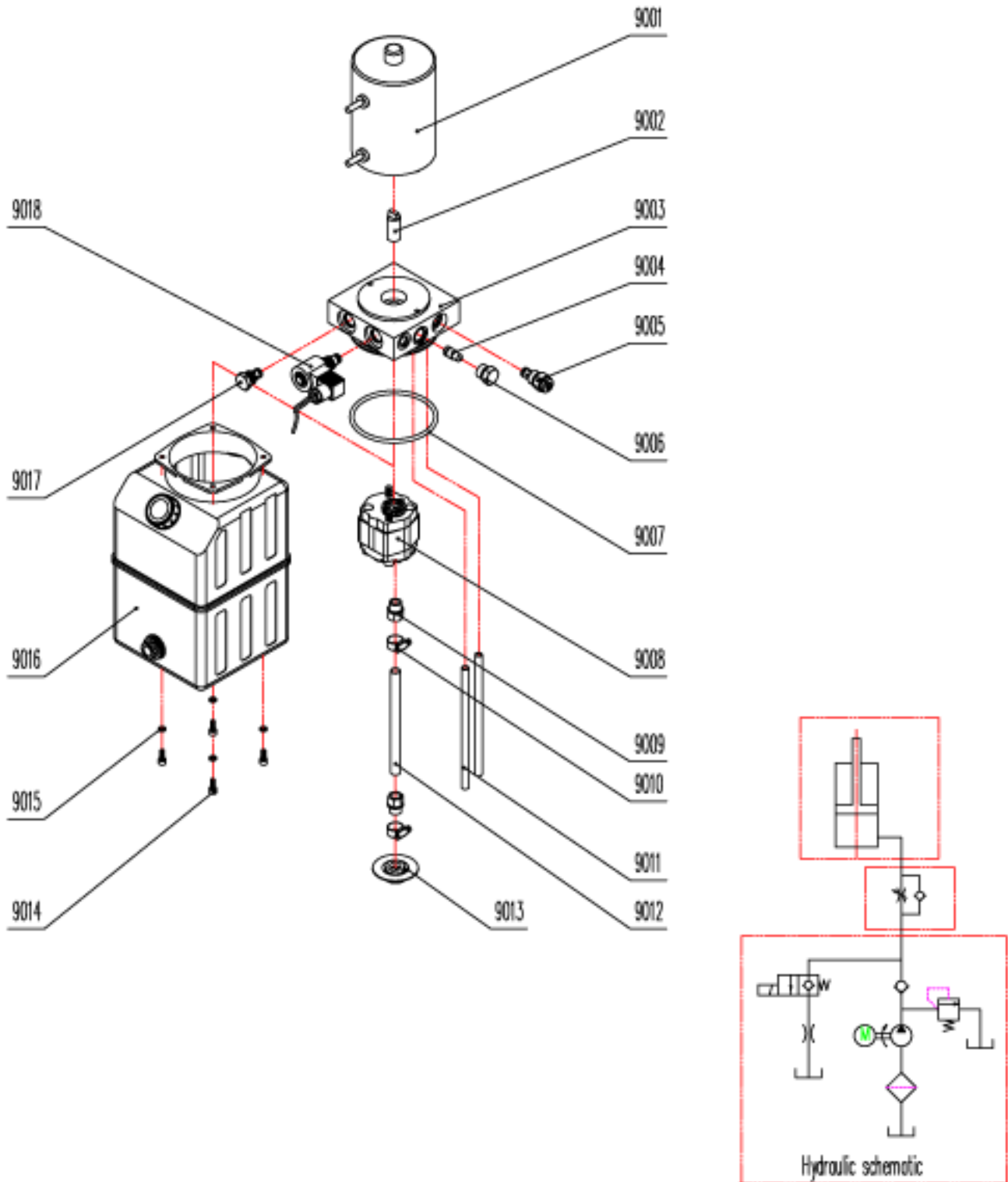
**Power Unit Assembly  
PPS2200-101AS**

Item	Description	Qty
1	BASE ASSY M3519 MOD M10-1.5 SD	1
2	P ASSY, QM MDLR, DC, BRGS BLD RSV	1
3	SCREW, SHC, 1/4-20 x 2.75, BLK OX	4
4	TUBE, RTN, STR, 1/8 NPT, NYLON	1
5	TUBE, SUCT, STR, 3/8 NPT, NYLON	1
6	FILTER, SCREEN M-SERIES SUCT.	1
7	RESV, PLSTC, 6.75x6.75x11, V/MT	1
8	CLAMP, HOSE, WORM GEAR, RSV, M-SER	2
9	PLUG, RESV, BREATHER-FILL, 3/4-14	1
10	MOTOR, DC, 12V, 4.5", 2 TERM	1
11	CABLE, INSULATED W/LUGS #4G 6"L	1
12	SWITCH, SOL ACT MTR ST, 24 VDC	1
13	WIRE ASSY, CNTRL, 16AWG, HS, RING	1
14	CARTRIDGE, 2W/2P, NC, POPPET, 4000	1
15	COIL, 24VDC, #8, TWO 1/4 MALE TAB	1
16	POPPET ASSY, P CMP FL, GPM 2.00	1

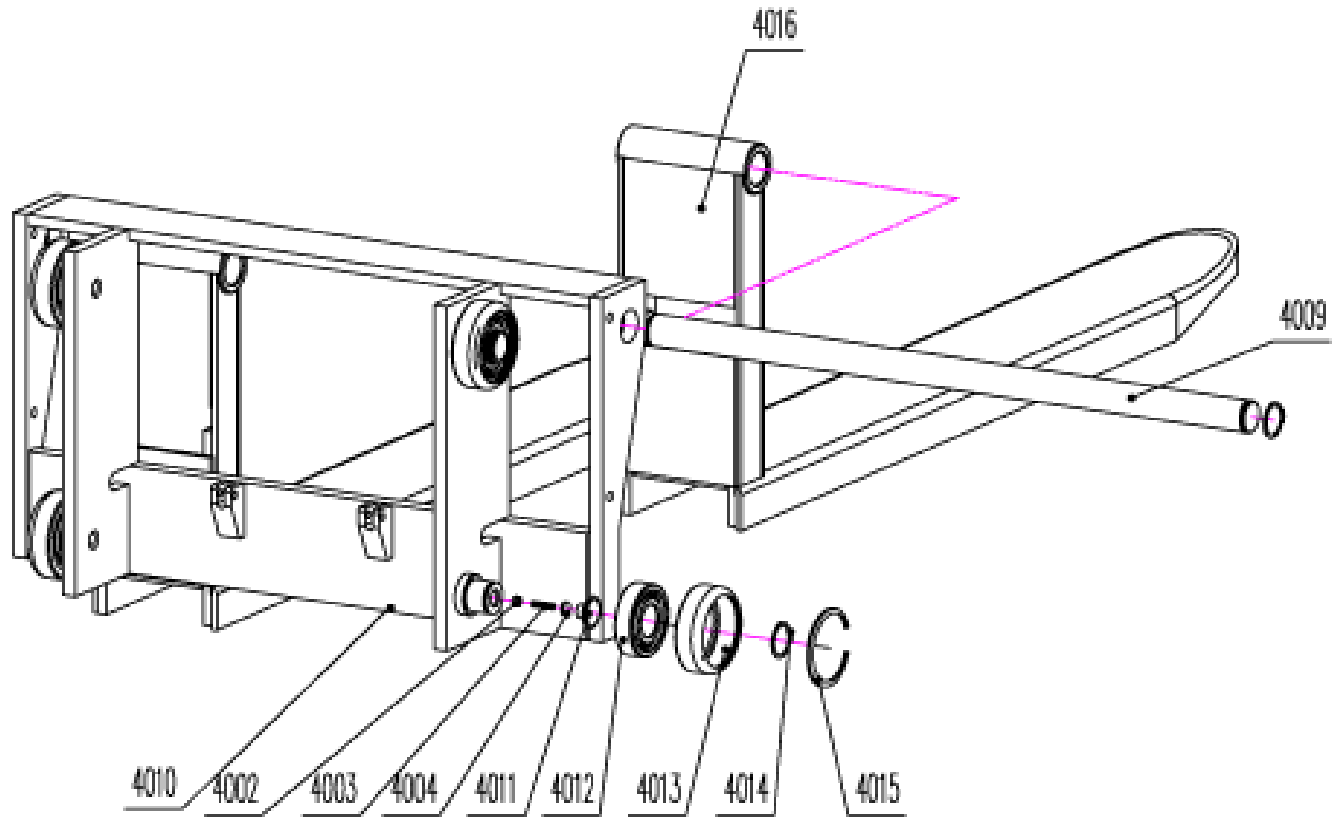
Figure 16:

November 2008 to Present

# Power Unit Assembly PPS2200-101AS

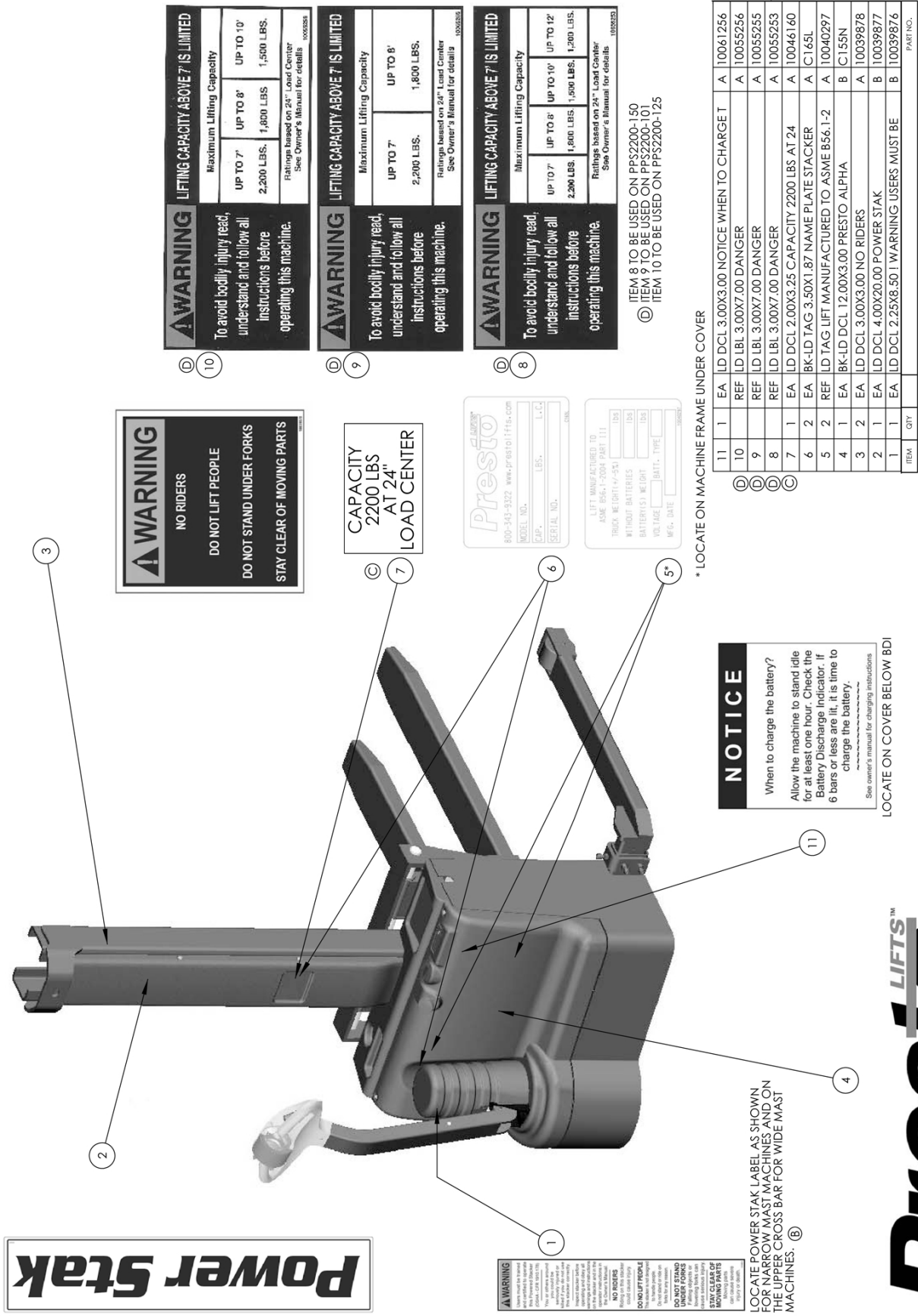


**Carriage Assembly  
PPS2200-101AS**



Item	Description	Qty
4002	Nut M6	4
4003	Bolt M6X30	4
4004	Middle Plate	4
4009	Fork Shaft	1
4010	Lift Frame	1
4011	Adjustable Plate	4
4012	Bearing 6307	4
4013	Wheel Sleeve	4
4014	Snap Ring 35	6
4015	Snap Ring 80	4
4016	Fork	2

Figure 18: Labels & Precautionary Warnings



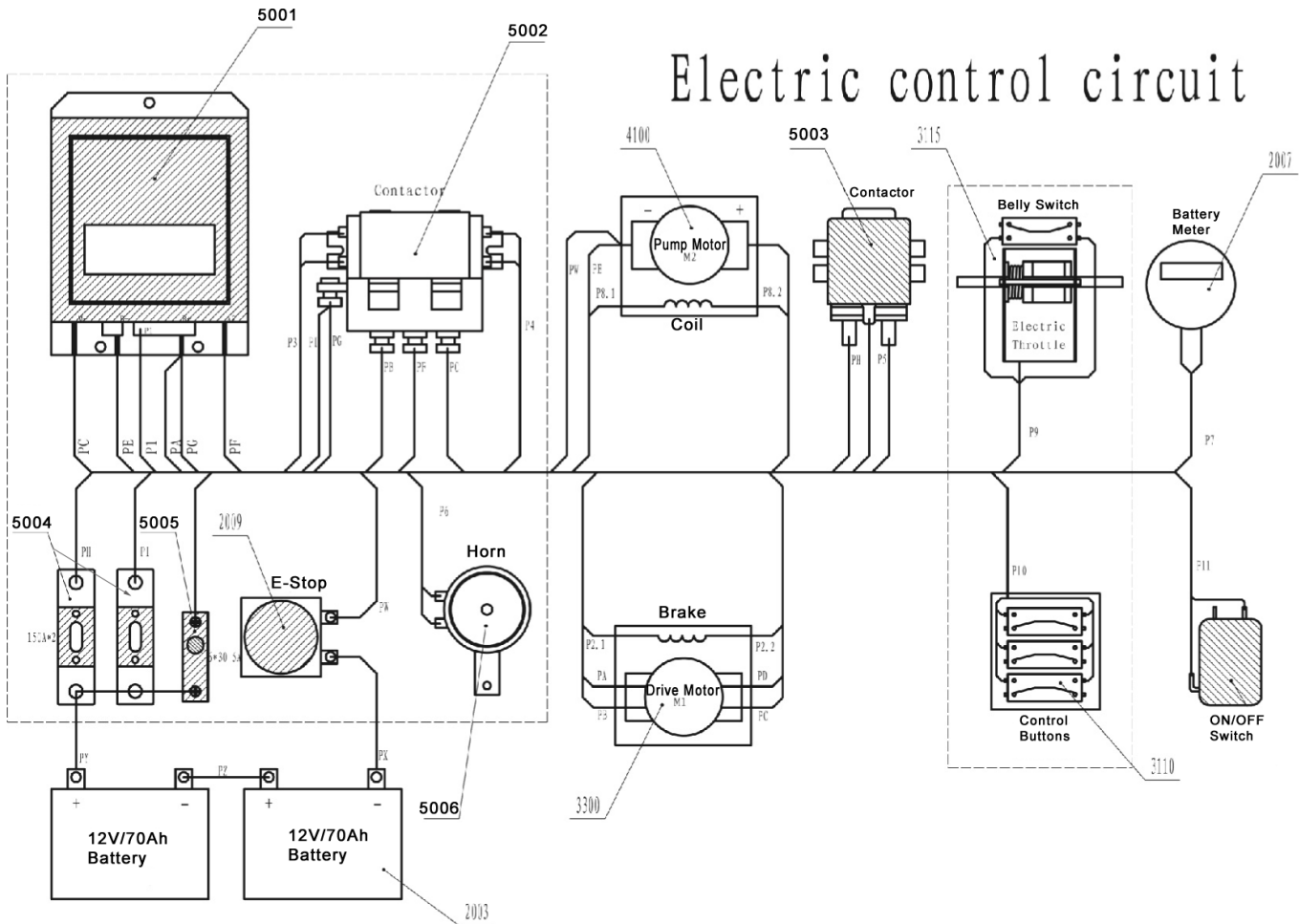
**Presto** LIFTS™

Figure 19: Electric Control Parts

Prior to November 2008

# Electric Control Parts

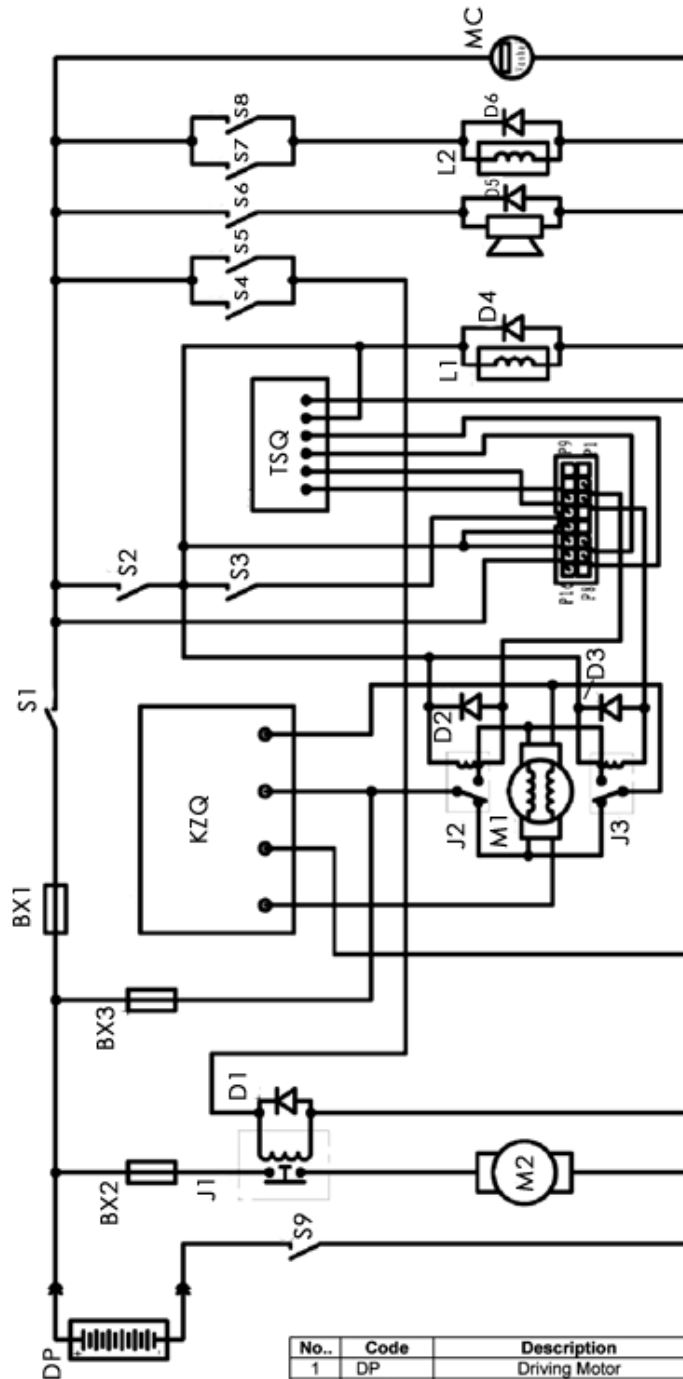
## Electric control circuit



5001	Controller	1
5002	Contactor F/R	1
5003	Hydraulic Contactor	1
5004	Fuse 150A	2
5005	Fuse 5A	1
5006	Horn	1



Figure 20: Electric Control Circuit



# Electric Control Circuit

**Prior to November 2008**

No..	Code	Description	Model
1	DP	Driving Motor	12V/70Ah
2	KZQ	Motor Controller	1207A-4102, DC24V/250A
3	M1	Driving Motor	DC24V/0.7Kw
4	M2	Pump Motor	DC24V/1.3Kw
5	J1	Pump Motor Controller	DC24V/200A
6	J2, J3	Driving Motor Contactor	DC88-I, DC24V/24A
7	BX1	Driving Motor Fuse	DC24V/150A
8	BX2	Pump Circuit Fuse	DC24V/150A
9	BX3	Controller Circuit Fuse	FS-10 DC24V/10A
10	S2	Magnetic Clutch	
11	S3	Urgent Reverse Switch	
12	S4, S5	Up/Down Switch	
13	S6	Horn Switch	
14	S7, S8	Down Switch	
15	S9	Power Switch	250A
16	L1	Magnetic Clutch	DC24V/25W, 8N.m
17	L2	Magnetic Commutate Valve Circle	DC 24V/16W
18	D1	Diode	IN5408
19	MC	Battery Meter	DC24V
20	D2-D6	Diode	IN4007
21	TSQ	Timing	ETR711, DC24V

**Figure 21: Wiring**  
**Connectors viewed from wire entry side.**

**Prior to November 2008**

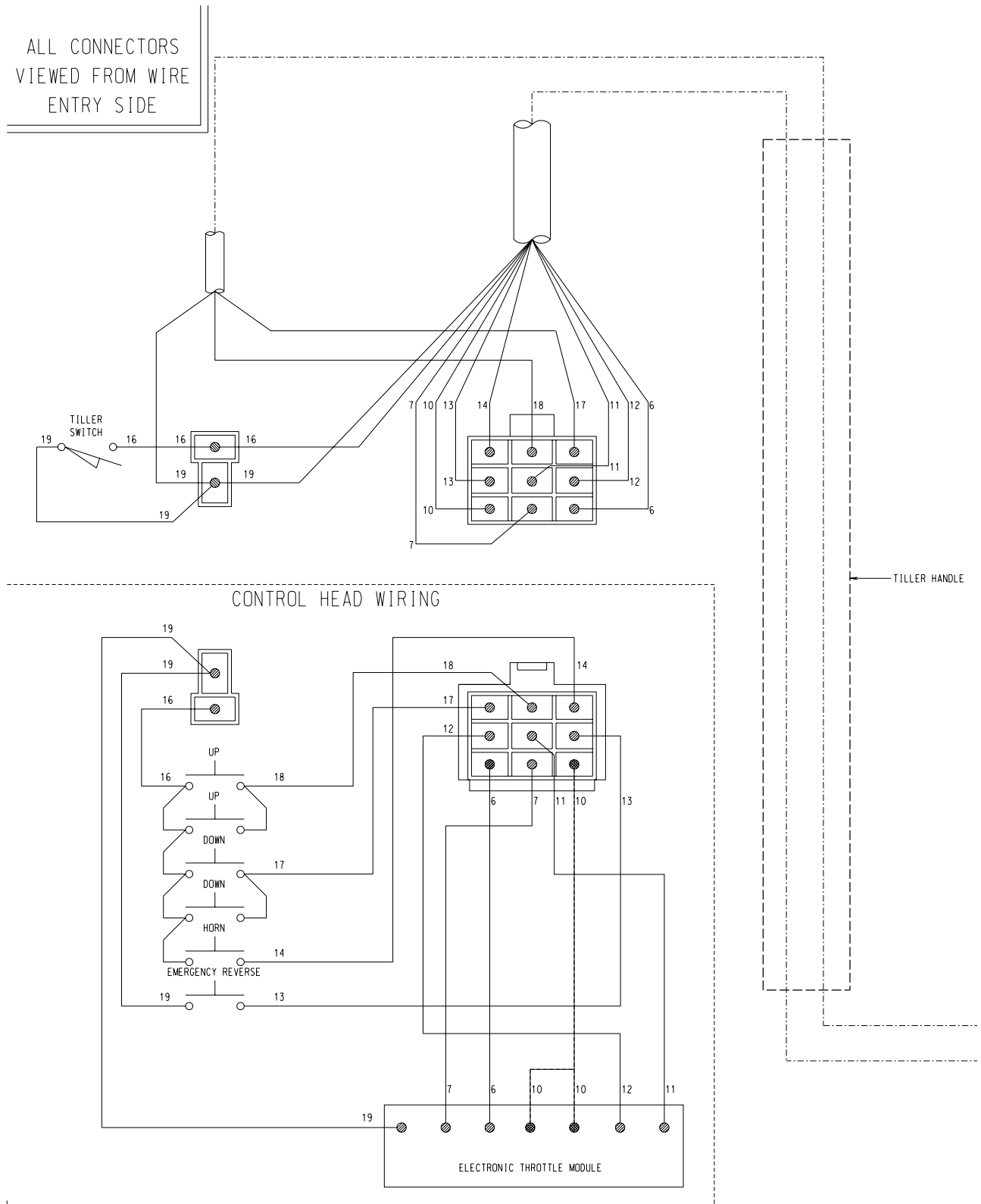


Figure 22:

Prior to November 2008

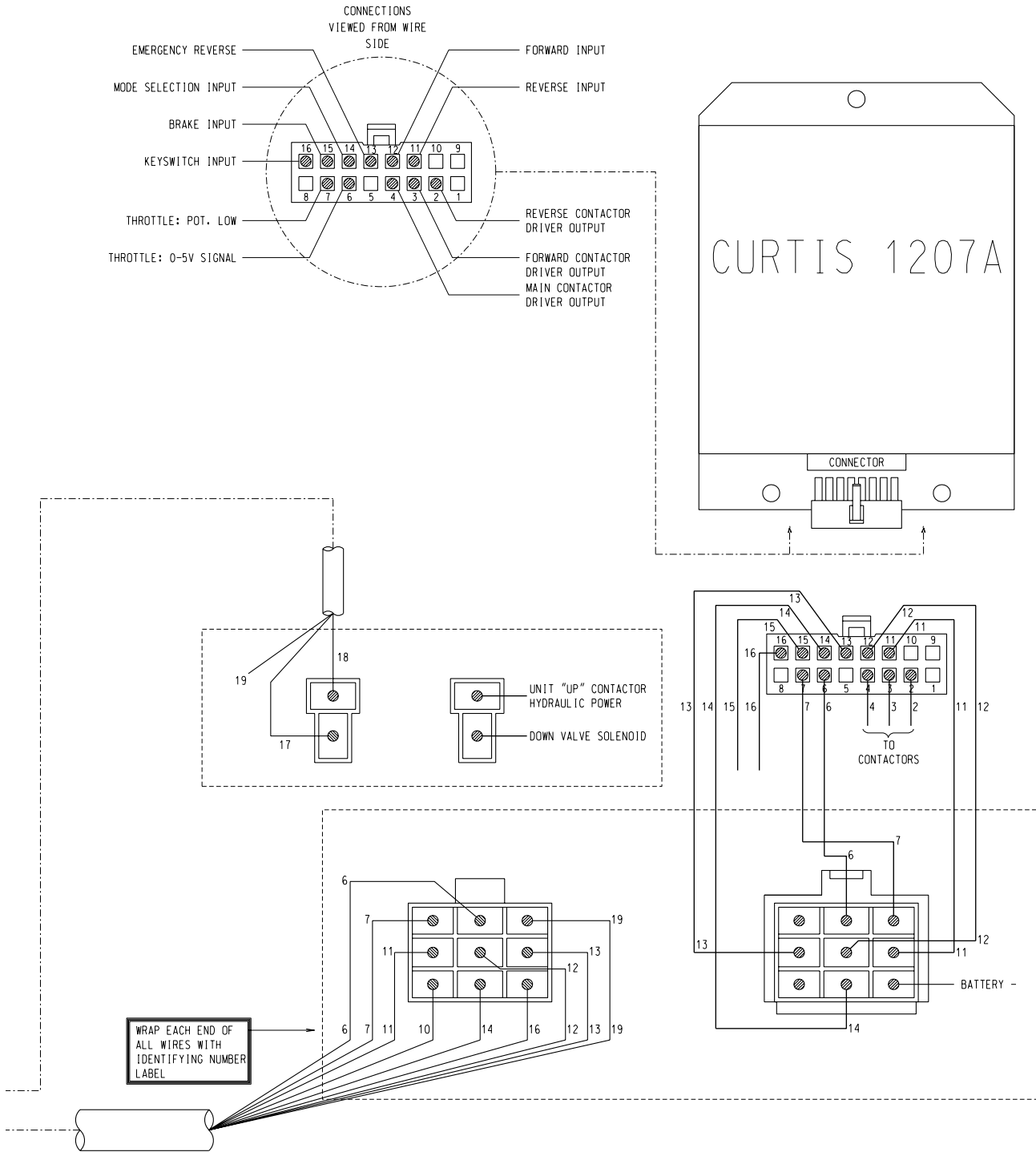


Figure 23:

November 2008 to Present

A- 80004302


REV	DESCRIPTION	DATE	APPROVED	MF ND.

NOTES:  
 DIAGRAMS FOR POWERSTAKS WITH SERIAL #'S OF 080602 AND HIGHER,  
 (LARGE FLAT BLADE CONNECTORS.)

ITEM	QTY	DESCRIPTION	PART NO.
7	REF	EL CONN DIAG PWRSTK WIRE HARNESS	B 80004290
6	REF	EL CONN DIAG PWRSTK WIRE HARNESS	B 80004289
5	REF	EL CONN DIAG PWRSTK WIRE HARNESS	B 80004288
4	REF	EL CONN DIAG PWRSTK FUEL GA & KEY SW	B 80004287
3	REF	EL CONN DIAG PWRSTK WIRE HARNESS	B 80004286
2	REF	EL CONN DIAG PWRSTK WIRE HARNESS	B 80004285
1	REF	EL CONN DIAG PWRSTK CTRL HEAD	B 80004284

 3RD ANGLE PROJECTION	FRACTIONS ±1/ .XXX ±.005 .XX ±.01 ANGLES ±.5°
	UNLESS OTHERWISE SPECIFIED, DIM ARE IN INCHES
USE OF PROPRIETARY INFORMATION LIMITED TO WRITTEN AGREEMENT	

<b>PRESTO LIFTS</b> 21 Park Street, Attleboro, MA 02703	
REFERENCE: 80004301	SCALE: 3/4
MODEL: EL ARR POWERSTAK (STD)	TITLE: 80004302
PART NO.	DATE: 10-23-08
DR:	DATE:
CK:	DATE:
MFG:	DATE:
A-DRAWING NUMBER: 80004302	REV: A

**THIS DRAWING MUST BE AT REVISION: 'A'**

Figure 24:

November 2008 to July 2011

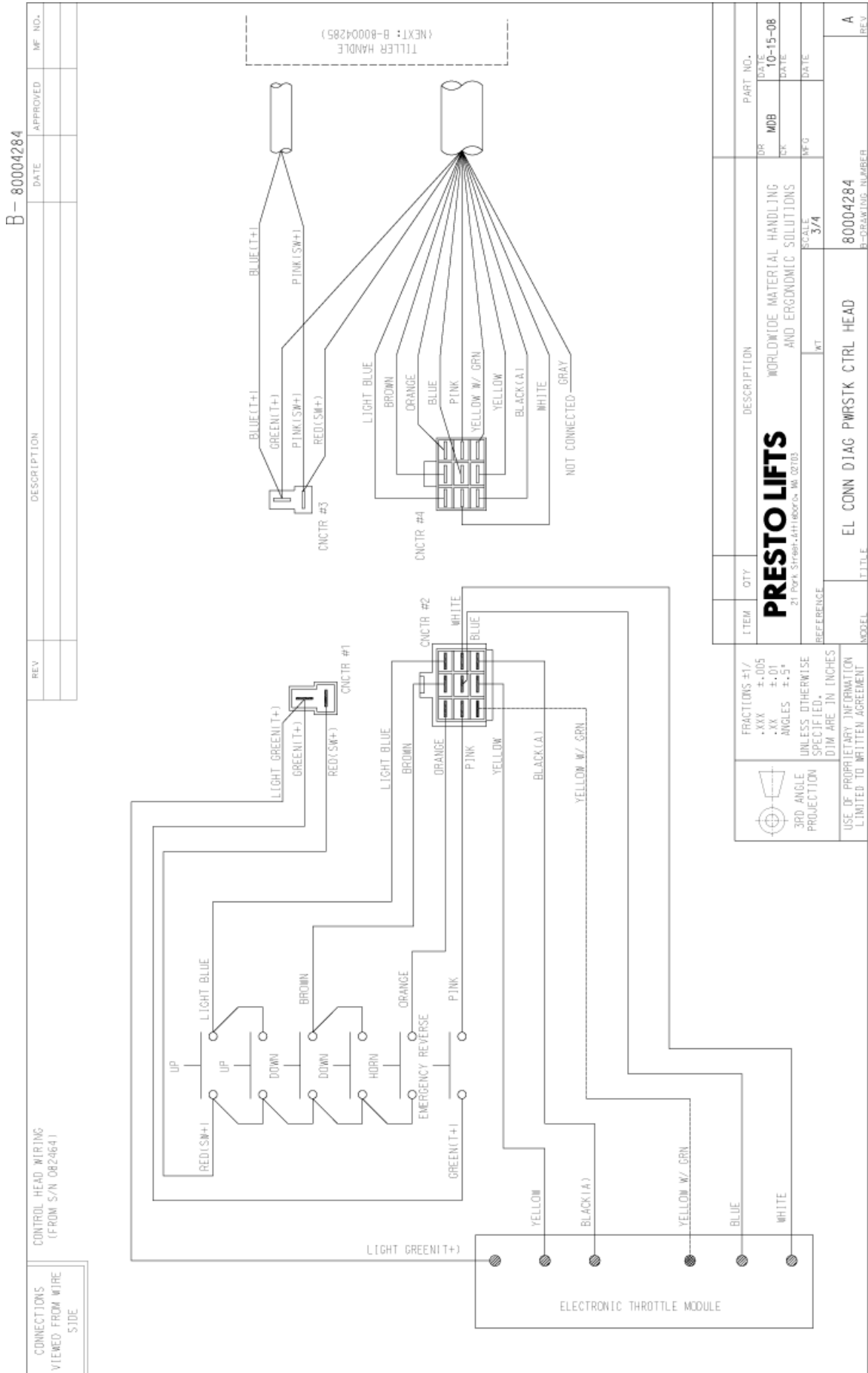
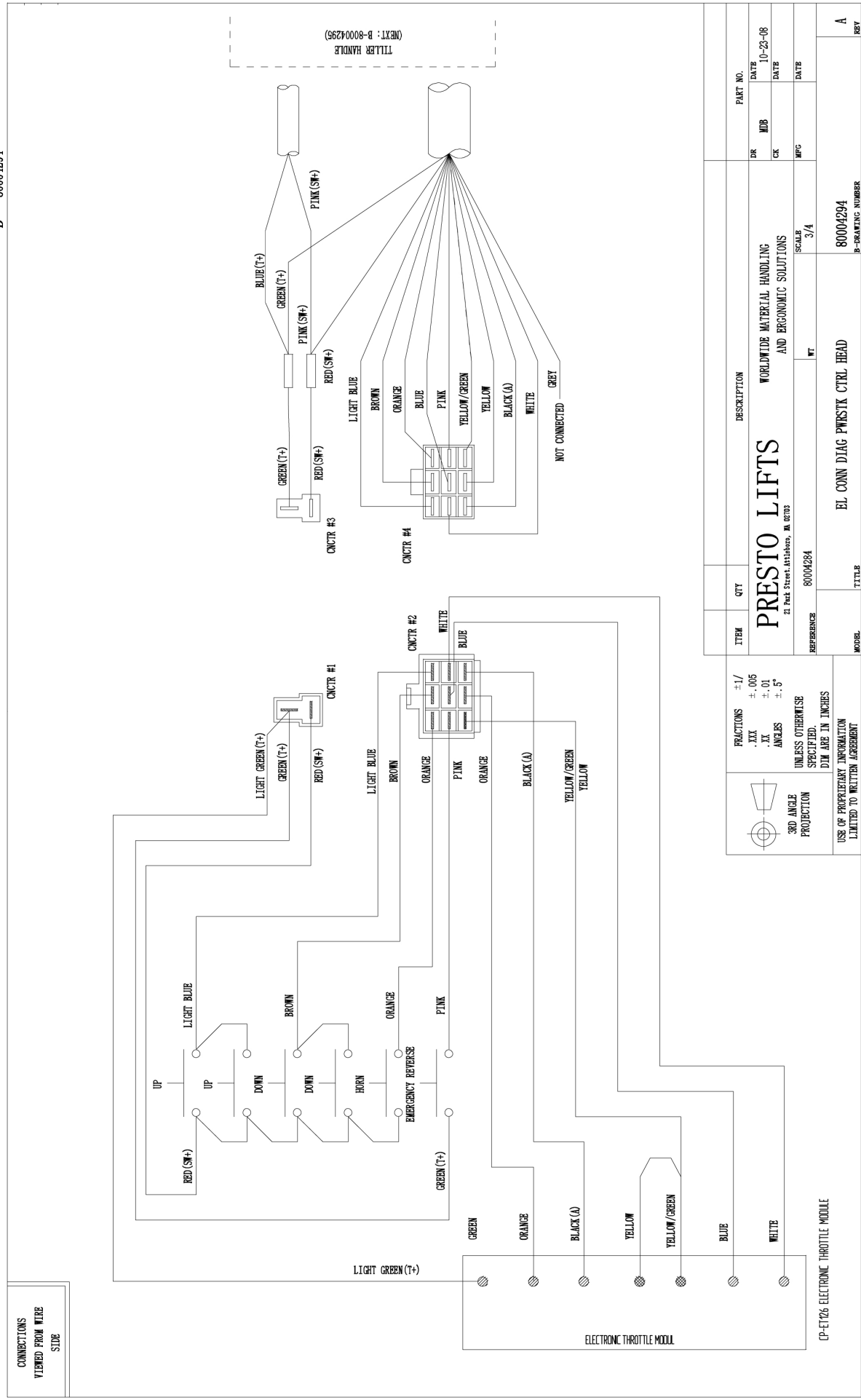


Figure 25:



CONNECTIONS VIEWED FROM WIRE SIDE

ITEM	QTY	DESCRIPTION	DR	DATE	DR	DATE
PRESTO LIFTS 21 First Street, Attitash, N. 0770		WORLDWIDE MATERIAL HANDLING AND ERGONOMIC SOLUTIONS	CK	10-23-08	MOB	10-23-08
REFERENCE	80004294	SCALE	WT	MFG	DATE	
		3/4				
MODEL		TITLE	PART NO.			
		EL CONN DIAG PWRSTK CTRL HEAD	80004294			
			B-DRAWING NUMBER			
			A			

FRACTIONS ±1/  
.XX  
±.005  
.XX  
±.01  
ANGLES ±.5°  
UNLESS OTHERWISE SPECIFIED.  
DIM ARE IN INCHES  
USE OF PROPRIETARY INFORMATION LIMITED TO WRITTEN AGREEMENT

Figure 26:

November 2008 to Present

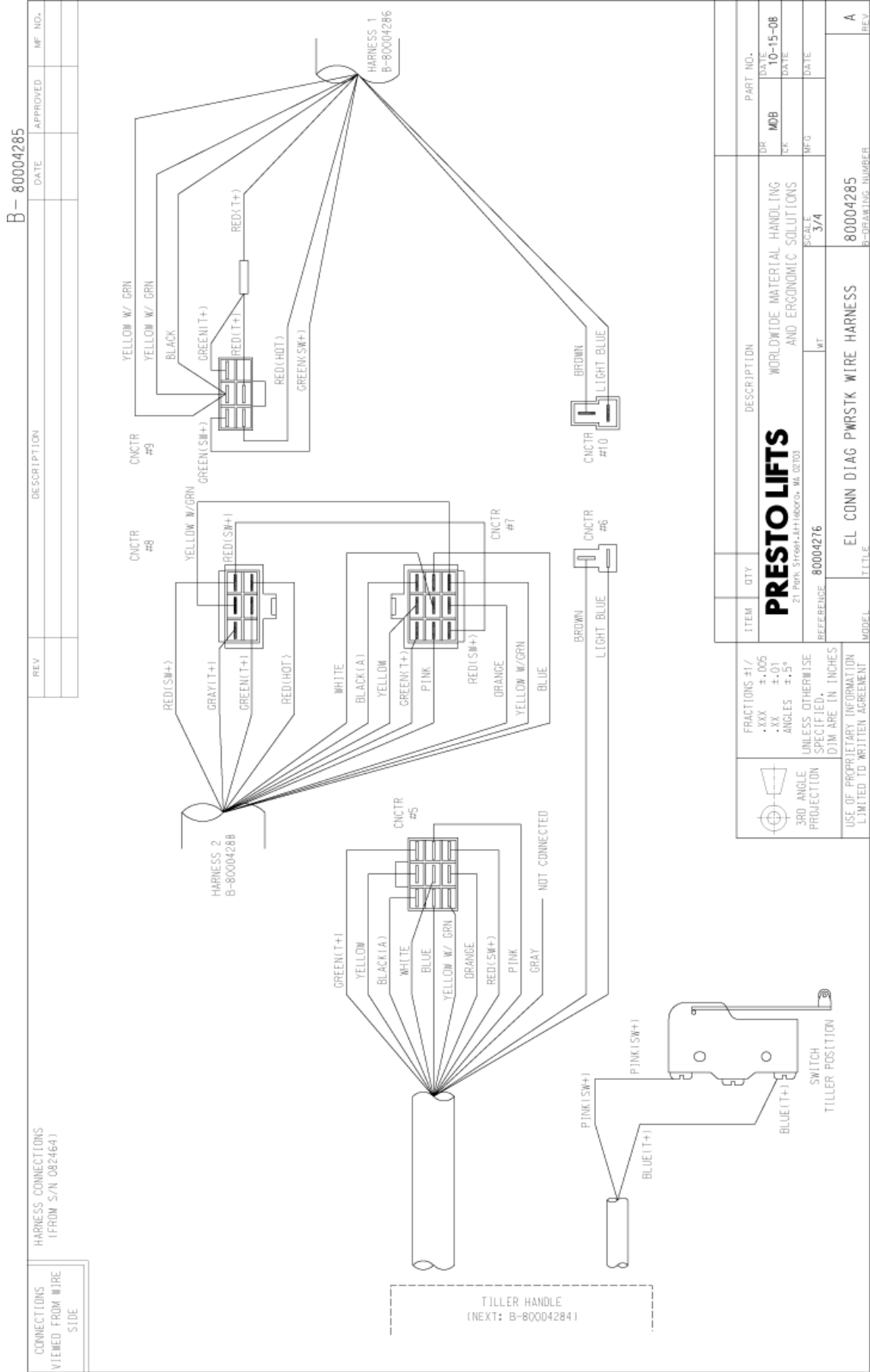


Figure 27:

November 2008 to Present

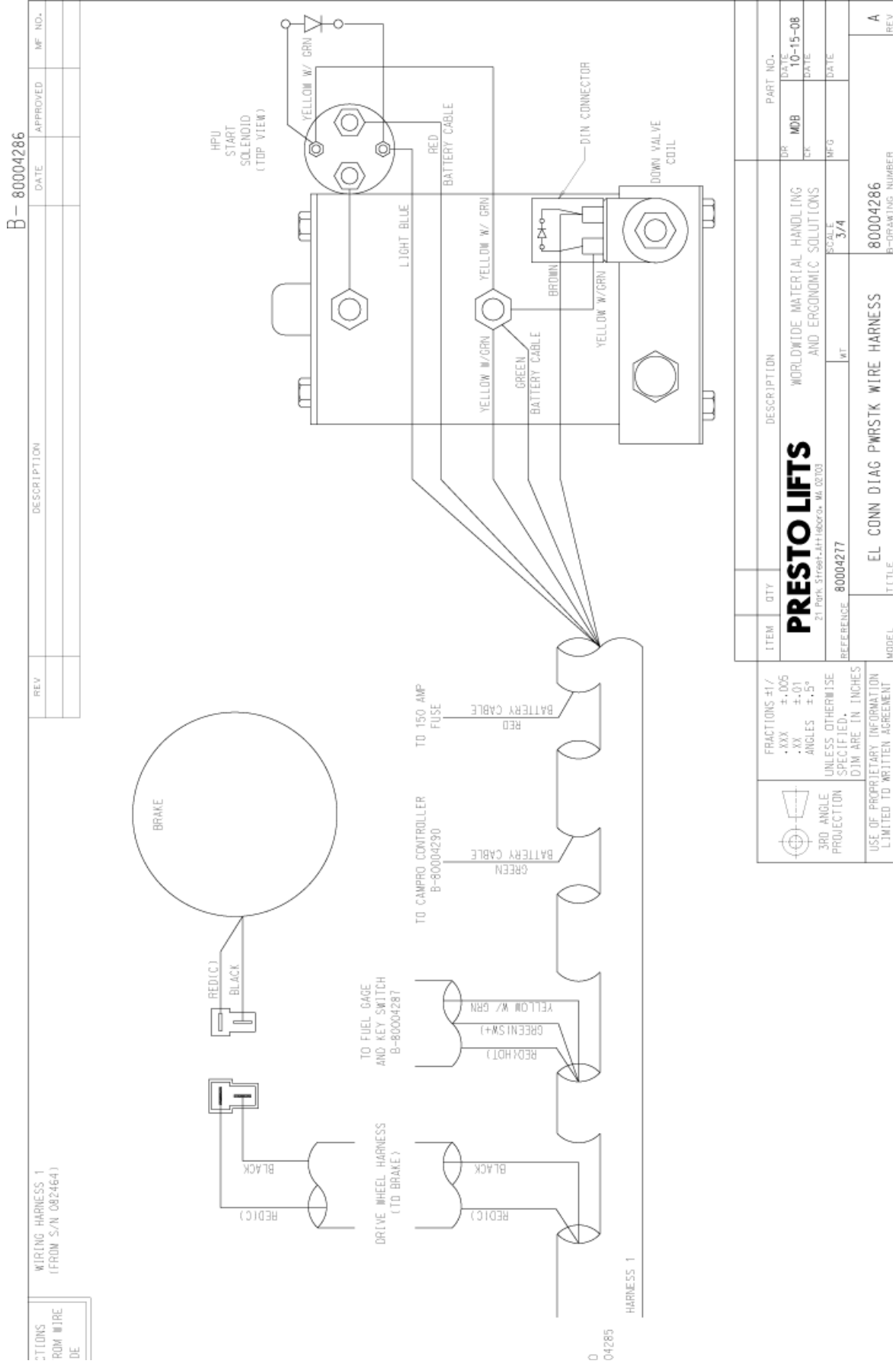
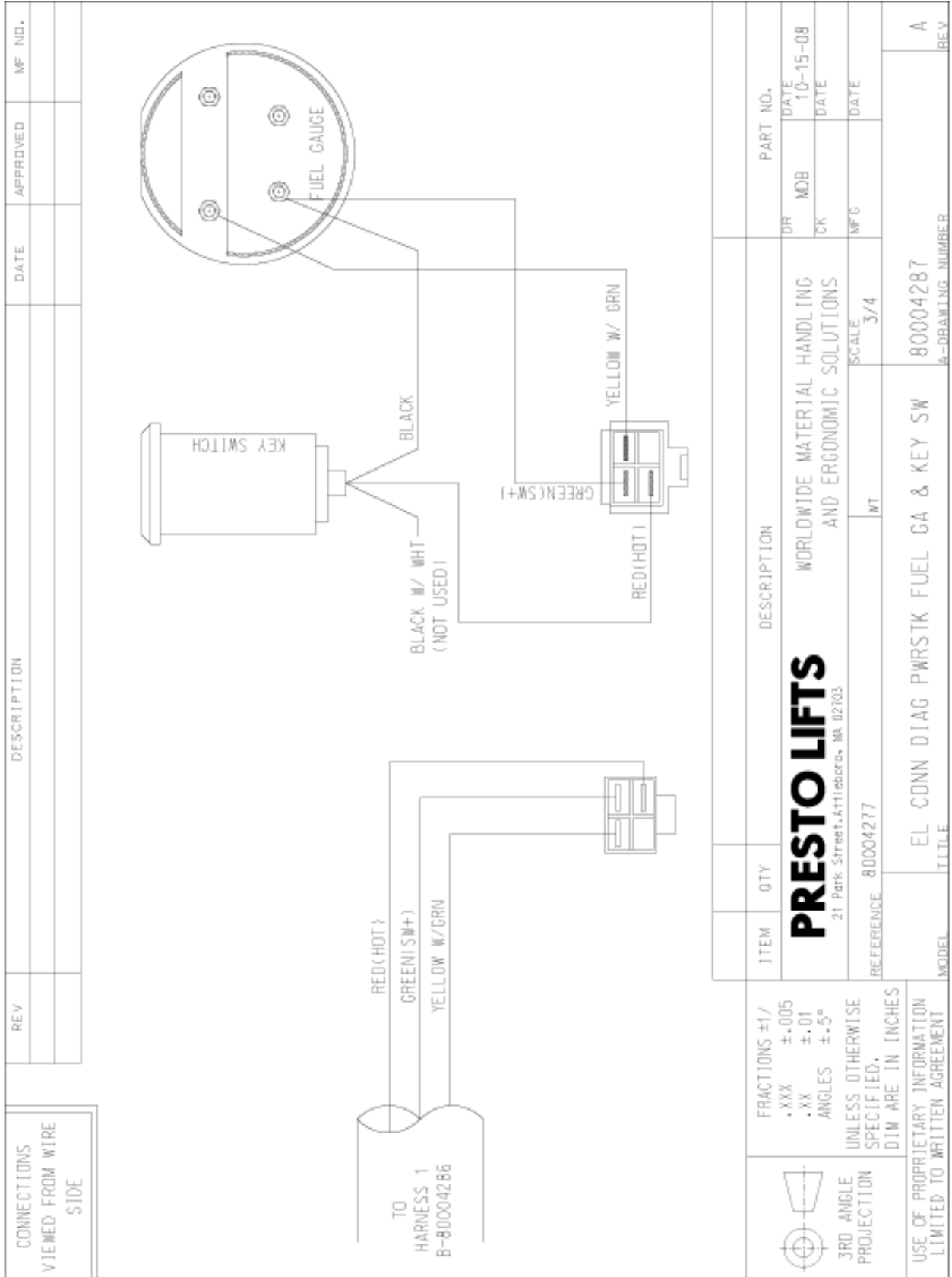




Figure 28:

November 2008 to Present

A - 80004287



**THIS DRAWING MUST BE AT REVISION: 'A'**

Figure 29:

November 2008 to Present

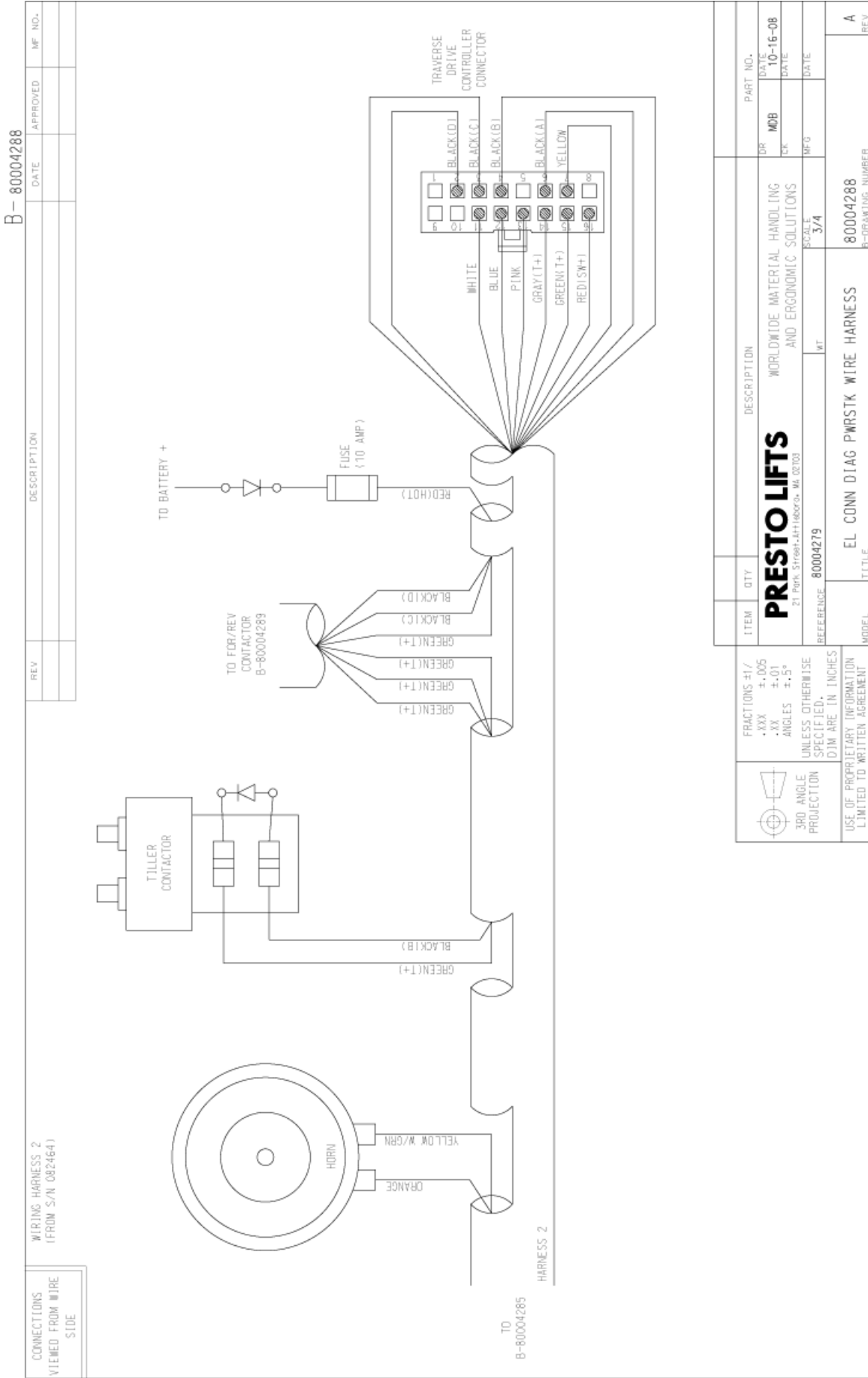


Figure 30:

November 2008 to Present

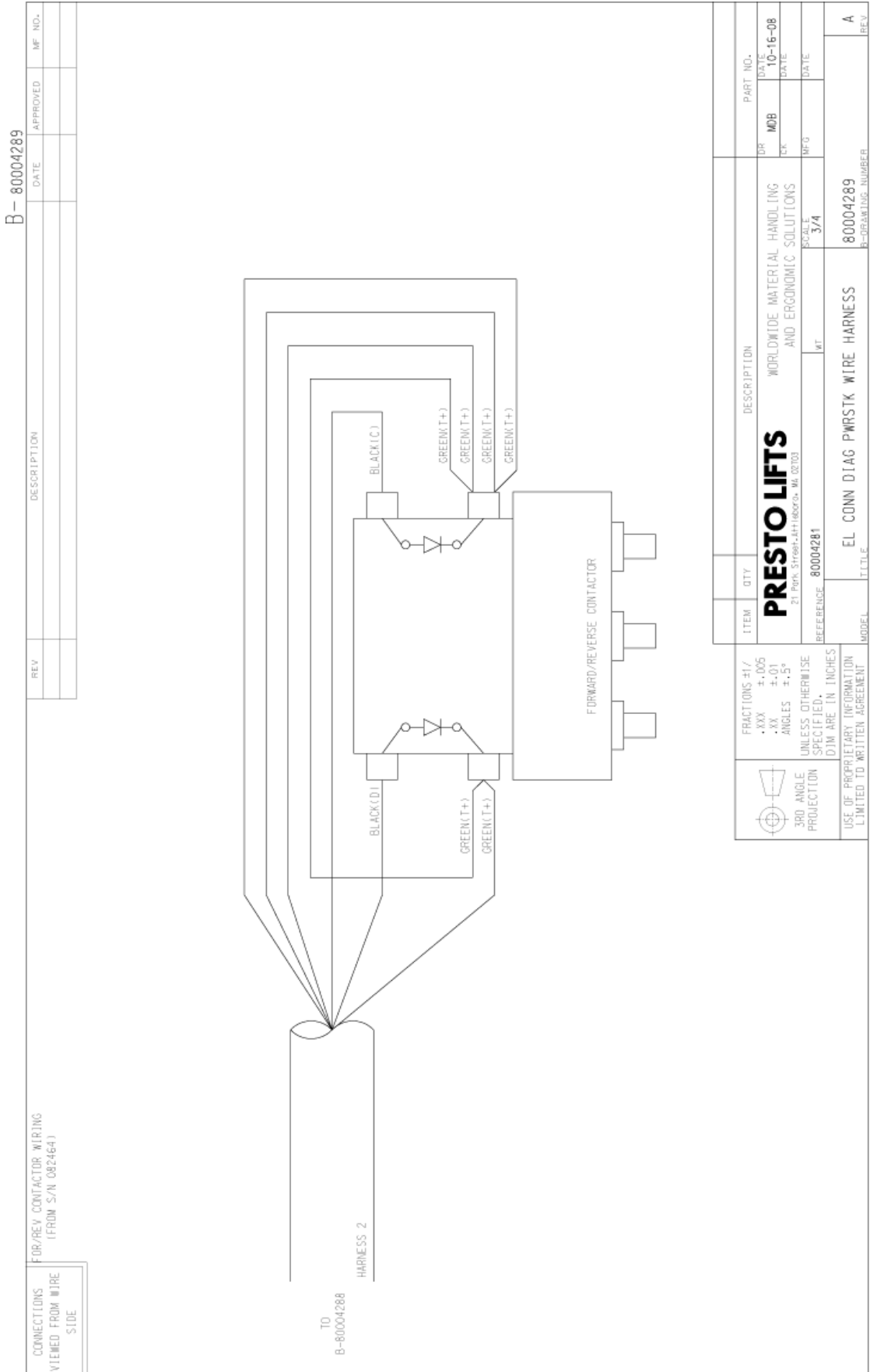


Figure 31:

November 2008 to Present

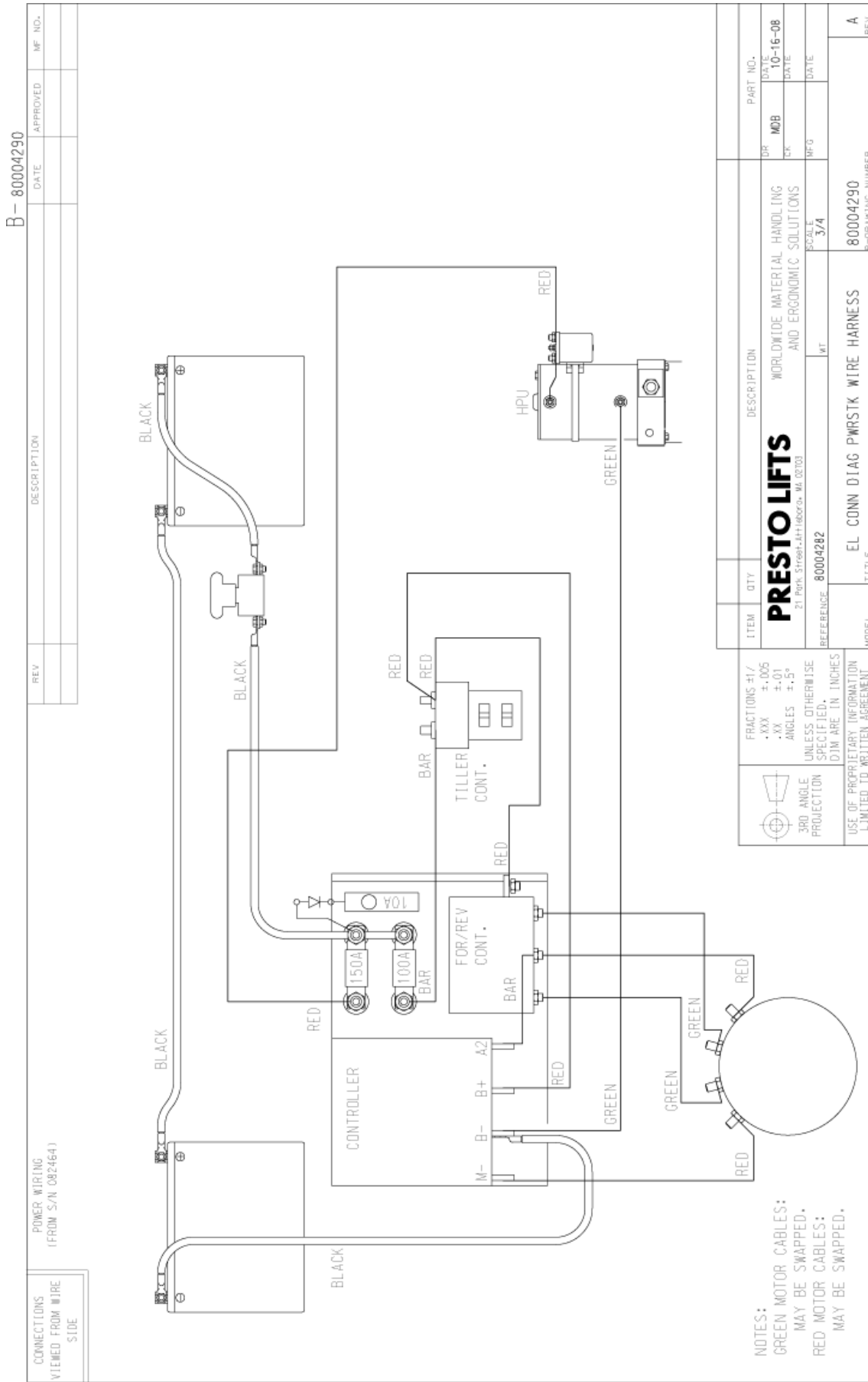
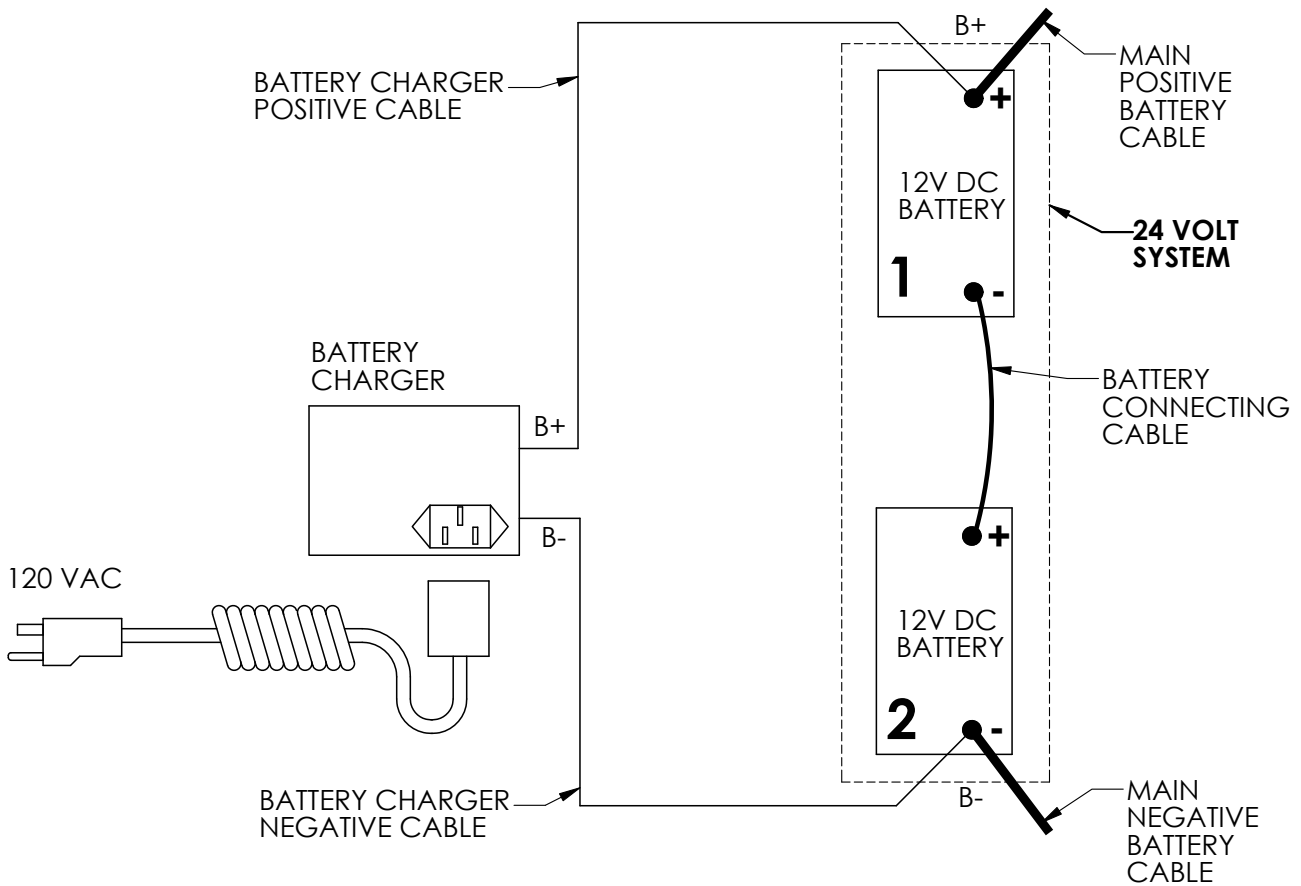


Figure 32: Battery Connection



## ORDERING REPLACEMENT PARTS

Presto Lifts has carefully chosen the components in your unit to be the best available for the purpose. Replacement parts should be identical to the original equipment. Presto Lifts will not be responsible for equipment failures resulting from the use of incorrect replacement parts or from unauthorized modifications to the unit.

Presto Lifts can supply all replacement parts for your lift. With your order, please include the model number and the serial number of the unit. You can find these numbers on the name plate. This plate is located within the cabinet, or the angle iron cylinder cross support.

To order replacement parts, please call the Presto Parts Department. Parts are shipped subject to the following terms:

- FOB factory
- Returns only with the approval of our Parts Department.
- Credit cards preferred (except parts covered by warranty).
- Freight collect for truck (except parts covered by warranty).
- Freight - prepaid and invoice for small parcel shipments (except parts covered by warranty).

Parts replaced under warranty are on a “charge-credit” basis. We will invoice you when we ship the replacement part, then credit you when you return the worn or damaged part, and we verify that it is covered by our warranty. Labor is not covered under warranty for Parts orders.

**Presto Lifts Parts Department**  
50 Commerce Way, Norton, MA 02766  
Telephone: 800-343-9322  
FAX: 888-788-6496  
Email: [Service@PrestoLifts.com](mailto:Service@PrestoLifts.com)  
**[www.PrestoLifts.com](http://www.PrestoLifts.com)**

## RESTOCKING POLICY

### PARTS

Standard parts may be returned with a 20% restocking fee. Modified or custom-engineered parts are not returnable. Unfortunately, due to potentially concealed damage, all sales of electrical assemblies are final.

### QUALITY ISSUES

Should you feel there is a quality problem, please contact the seller to ask questions and gather information on how to rectify the issue. Presto Lift Inc. reserves the right to determine potential credits, as a result of factory defects, based on its inspection of the merchandise.

### GENERAL

All products shipped from our factory have passed Quality Assurance inspection and testing. The carrier of choice has signed for, and accepted the product in new working condition. The customer should inspect to ensure it is not received damaged, has no concealed damage or is not incomplete. Parts orders are determined to be complete based upon Presto Lift, Inc. inspection sheets and carrier shipping weights.

## **RETURN GOODS AUTHORIZATION POLICY**

Presto Lifts provides the Return Goods Authorization (RGA) Policy, for specific models, as a courtesy to our distributors in the event they do not receive what they ordered. If a customer wishes to return a Presto Lifts product, please contact the Customer Service Department and request an RGA number. This request must be made on or before the fifteenth calendar day following the date of Presto Lifts' invoice for the merchandise. Not all units are returnable. Quantity orders and special designs cannot be returned under any circumstances. Presto Customer Service reserves the right for final judgment on all product returns.

The RGA number must appear on the outside of any packaging material for a return to be accepted and processed by Presto Lifts. Customers shipping returns from the Continental US, Canada, or Mexico have thirty (30) days from date of RGA issue to have the product arrive at Presto Lifts' facility. All merchandise must arrive Free on Board at Presto Lifts' facility or the shipment will be refused and returned to the sender. All credits are issued less restocking and refurbishing charges, regardless if the merchandise was damaged in transit.

Return addresses: please refer to your RMA for the address to which your product should be returned.

Presto Lift Inc.  
715 Highway 77  
Manila, Arkansas 72442

Telephone: 800-343-9322  
Fax: 888-788-6496

MANY NEEDS REQUIRE MANY OPTIONS...

**Presto** LIFTS



LET PRESTO MEET THOSE NEEDS!

Call Presto Sales  
for stock or  
customized lift inquiries:  
**800-343-9322**

Email: [sales@prestolifts.com](mailto:sales@prestolifts.com)

