

Foot Operated Lifts M100, M200, M300 & M400

Installation, Operation and Service Manual

Model Number _____

Serial # _____

Date placed in service _____

**IMPORTANT: READ CAREFULLY
BEFORE INSTALLING OR OPERATING LIFT**

Part orders are subject to a \$50 minimum charge.



This manual was current at the time of printing. To obtain the latest, most updated version, please contact Presto Lifts Customer Service Department or go to our website: www.PrestoLifts.com -- you will find a complete list of current owner's manuals to print.

Presto Lifts Limited Warranty Policy

Presto Lifts warrants all of its products against defects in the welded structural frame and, if applicable, scissor legs from faulty material and workmanship for a period of five (5) years from the date of invoice.

All other components have a limited warranty against defects in faulty material and workmanship for a two (2) year period from the date of invoice date of invoice and 30 day limited warranty on labor. Please note that prior authorization from Presto Lifts is required on all warranty work.

There are no implied warranties of any kind, more specifically, there are no warranties of merchantability or fitness for any particular purpose. Presto Lifts' sole warranty shall be as set forth in this limited warranty.

Presto Lifts will elect to repair or replace a defective component without charge, if any components should become defective within the limited warranty period. Proof of purchase is required for warranty. The charge for shipping the defective component is the responsibility of the buyer and must be accompanied with an RMA number. The shipping charge to return the component to the buyer is the responsibility of Presto Lifts, Inc.

This limited warranty does not cover labor expense for removal or reinstallation of components after thirty days. This limited warranty shall not cover, among other things: damages resulting from foreign matter or water, failure to provide reasonable and necessary maintenance, and if applicable, use of product while charger is plugged into an AC outlet, or failure to follow operating instructions. The limited warranty is not valid for damage resulting from negligence, accident, unreasonable use, abuse or misuse, exceeding data plate capacities or altering the product without Presto Lifts authorization.

Presto Lifts expressly disclaims and excludes any liability for consequential, incidental, indirect or punitive damages or financial loss to people or property resulting from any breach of warranty or the operation or failure of this product.

Presto Lifts makes no representation that this product complies with local, state, or federal safety/product standards codes. Should this product fail to comply in any way with those codes, it shall not be considered a defect of materials or workmanship. Presto Lifts shall not be held liable for any damages resulting from noncompliance. It is the dealer's responsibility to exercise this limited warranty. This limited warranty is provided to the original purchaser (defined as the original end user) and is nontransferable. This constitutes the complete and final agreement involving Presto Lifts and limited warranty obligations for products.

CONTENTS

WARANTY.....	3
SECTION 1:	
Introduction.....	5
Responsibility of Owners and Users.....	6
SECTION 2:	
Safety	7
Safety Alert Symbols and Signal Words.....	8
SECTION 3:	
Installation.....	9
SECTION 4:	
Operation.....	9
SECTION 5:	
Maintenance.....	9
SECTION 6:	
Service.....	10
SECTION 7:	
Troubleshooting	10
RESTOCKING POLICY	23
RETURN MATERIALS AUTHORIZATION (RMA) PROCEDURES	24
ORDERING REPLACEMENT PARTS.....	25

LIST OF FIGURES :

Table 1: Hydraulic Oil Specifications	9
Figure 1: Wheel Identification	11
Figure 2: Chain Roller Assembly.....	11
Complete Cylinder breakdown by Part Number (Text).....	12-13
Figure 3: M100-10 Pump Body Complete.....	14
Figure 4: M400-20 Cylinder Assembly Repair Kit.....	15
Figure 5: M400-30 Pump Plunger Assembly.....	16
Figure 6: M400-40 Cylinder Packing Kit.....	17
Figure 7: M400-50 Release Pin Assembly.....	18
Figure 8: Backplate Assembly	19
Figure 9: Platform Assembly	20
Figure 10: Stacker Assembly	21
Figure 11: Label Placement Diagram	22

SECTION 1

INTRODUCTION

This manual attempts to provide all of the information necessary for the safe and proper installation, operation and maintenance of Presto Lifts Inc.'s MSeries Stackers. It is important that all personnel involved with the installation, maintenance or operation of the stacker read this manual. Where unique situations arise, that are not covered in this manual call Presto Lifts for further instructions. Additional manuals are available upon request or on our web site at www.prestolifts.com.

The stacker has a nameplate that provides the load capacity ratings, serial number and model identifications. Please refer to these numbers when ordering parts or requesting further information.

WHERE UNIQUE SITUATIONS ARISE, THAT ARE NOT COVERED IN THIS MANUAL, CALL PRESTO LIFTS SERVICE DEPARTMENT FOR FURTHER INSTRUCTIONS.

Responsibility of Owners and Users

Inspection and Maintenance

The device shall be inspected and maintained in proper working order in accordance with Presto's owner's manual.

Removal from Service

Any device not in safe operating condition such as, but not limited to, excessive leakage, missing rollers, pins, or fasteners, any bent or cracked structural members, cut or frayed electric, hydraulic, or pneumatic lines, damaged or malfunctioning controls or safety devices, etc. shall be removed from service until it is repaired to the original manufacturer's standards.

Repairs

All repairs shall be made by qualified personnel in conformance with Presto's instructions.

Operators

Only trained personnel and authorized personnel shall be permitted to operate PowerStak.

Before Operation

Before using the device, the operator shall have:

- Read and/or had explained, and understood, the manufacturer's operating instructions and safety rules.
- Inspected the device for proper operation and condition. Any suspect item shall be carefully examined and a determination made by a qualified person as to whether it constitutes a hazard. All items not in conformance with Presto's specification shall be corrected before further use of the PowerStak.

During Operation

The device shall only be used in accordance with this owner's manual.

- Do not overload.
- Ensure that all safety devices are operational and in place.

Modifications or Alterations

Modifications or alterations to any Presto industrial positioning equipment shall be made only with written permission from Presto.

SECTION 2

SAFETY

The M Series stackers are very capable of causing serious injury or damage if adequate precautions are not taken. By reading and following this manual, operator injury may be prevented.

DO NOT INSTALL OR OPERATE THESE LIFTS WITHOUT CAREFULLY READING THIS MANUAL. In order to provide for the safe operation of these stackers, Presto Lifts Inc. has identified certain hazards that may occur during the installation, maintenance and use of these lifts.

⚠ WARNING

- Do not perform any repair work on lifts if there is a load on the platform or forks are in the raised or lowered position.
- All personnel must stand clear of the lift when the lift is in motion.
- Do not put hands or feet under forks or platform while in motion.
- Do not put hands or feet on or near the mast while the forks or platform is in motion.
- Do not stand, sit or climb on the lift.
- Do not exceed the load capacity.
- Place all loads centrally located on the lift forks or platform.
- Do not place a load on a moving lift.
- Do not use the lift on soft, uneven or unstable surfaces.
- Do not shock load the forks or platform. Materials must be carefully placed rather than dropped.

SAFETY ALERT SYMBOLS AND SIGNAL WORDS

The safety of all persons operating, maintaining, repairing, or in the vicinity of this equipment is of paramount concern. This is a powerful machine with moving parts, and is capable of causing personal injury if proper precautions are not taken. Therefore, throughout this manual, certain hazards have been identified which may occur in the use of the machine, and there are appropriate instructions or precautions which should be taken to avoid these hazards. In some cases, there are consequences which may occur if instructions or precautions are not followed. Below are the symbols and signal words along with their definitions referenced from ANSI Z535.4 - Product Safety Signs and Labels.

Safety Alert Symbols

These are the safety alert symbols.. They are used to alert you to potential physical injury hazards. Obey all safety messages that follow this symbol to avoid possible injury or death.



For use with DANGER signal word
(Red Background)



For use with WARNING signal word
(Orange Background)



For use with CAUTION signal word
(Yellow Background)

Signal Words

The meaning of different signal words as defined by ANSI Standard Z535.4 indicates the relative seriousness of the hazardous situation.



(Red Background)

DANGER indicates a hazardous situation which, if not avoided, will result in death or serious injury.



(Orange Background)

WARNING indicates a hazardous situation which, if not avoided, could result in death or serious injury.



(Yellow Background)

CAUTION, used with the safety alert symbol, indicates a hazardous situation which, if not avoided, could result in minor or moderate injury.



(Blue Background)

NOTICE is used to address practices not related to personal injury.



(Green Background)

SAFETY INSTRUCTIONS (or equivalent) signs indicate safety-related instructions or procedures.

SECTION 3

INSTALLATION

INSTALLATION

When the stacker arrives on a pallet the following steps are to be followed:

1. Through the use of a forklift or overhead hoist, pick the stacker unit up taking into consideration the center of gravity. The center of gravity of the unit should be adequately supported.
2. Once the unit is lifted from the pallet by a couple of inches, remove the pallet from under the stacker.
3. Follow the next sections to ensure proper operation.

SECTION 4

OPERATION

METHOD OF OPERATION:

In order to operate the lift follow these operating procedures.

- 1). To raise the platform or forks, pump foot pedal until platform reaches desired height.

- 2). To lower lift, press release pedal down. Pressure on release pedal controls speed of descent of load.

SECTION 5

MAINTENANCE

ROUTINE MAINTENANCE:

- 1). Grease wheels and casters at least once a month to maintain easy roll of lift.
- 2). Do not overload the lift. All foot operated Presto Manual Stackers have a maximum rated capacity of 1000 lbs.
- 3). Use only hydraulic oil in the hydraulic system. NEVER USE HYDRAULIC BRAKE FLUID.

Table 1 – Hydraulic Oil Specifications

If the lift will be used at normal ambient temperatures, Presto Lifts supplies the unit with Conoco Super Hydraulic 32 oil. This may be replaced by any other good quality oil with 150 SSU at 100° F and rust and oxidation inhibitors and anti-wear properties.

If the lift will be used at ambient temperatures below 0°F, use aircraft hydraulic oil. Use Type 15 aircraft hydraulic oil.

The following are equivalent to Conoco Super Hydraulic 32:

TYPE	MANUFACTURER
AW32	CITGO
DTE 24	EXXON/MOBIL
NUTO H32	EXXON/MOBIL
AMOCO AW32	CHEVRON (AMOCO CO.)



It is very important to keep the hydraulic oil free of dirt, dust, metal chips, water, and other contamination. Most of the problems with hydraulic systems are caused by contamination in the oil.

SECTION 6

SERVICE

To remove cylinder from lift:

1. Pump lift to above 12" height and then prop platform or forks up to keep it in raised position.
2. Step on release pedal and push ram down by hand until it reaches its lowest point.
3. Slip chain off pulley and remove pulley assembly.
4. Take off two bottom cap screws that hold cylinder in place and slide cylinder forward towards the base legs of the lift. The cylinder can now easily be removed.

To replace ram chevron set in hydraulic cylinder assembly:

1. Remove hydraulic cylinder from lift and remove Vent Plug (Part No. M427) and Oil Level Plug (Part No. 428) and drain oil from cylinder.
2. Clamp pump body in vise, unscrew top hex nut and remove outer cylinder.
3. Remove inner cylinder from pump making sure not to distort or mar cylinder. **Note: Do not use pipe wrench.**
4. Remove ram and replace chevron set.
5. Push ram into inner cylinder -- chevron end last!
6. Reassemble and fill with clean hydraulic jack oil.

SECTION 7

TROUBLESHOOTING

If lift does not rise to full height:

It probably requires oil. (Check with lift in down position.) To fill cylinder with oil, follow these instructions.

There are two pipe plugs in the cylinder, Part No. M427 (Vent Plug) and part No. M428 (Oil Level Plug). Remove both plugs.

Put a good grade of hydraulic jack oil in the cylinder through the top hole. When the oil reaches the level of the bottom hole, replace both plugs. **TOP PLUG IS A BREATHER PLUG, BE SURE TO REPLACE PLUGS IN THEIR PROPER PLACES.**

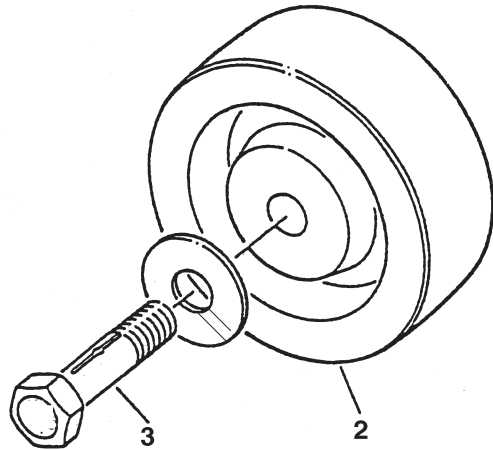
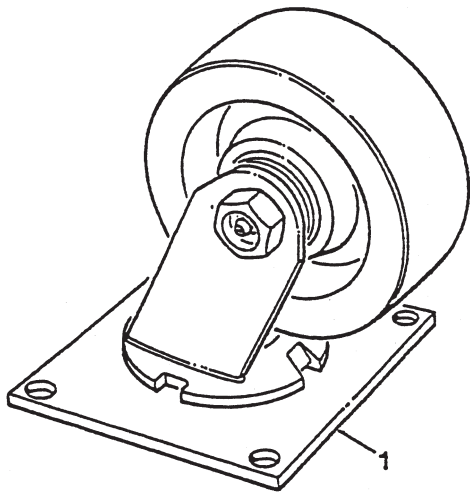
If lift does not hold load, or tends to drift downward under a load:

Dirt particle may be obstructing seating of the valve, allowing leakage.

If dirt particle is obstructing seating of the valve:

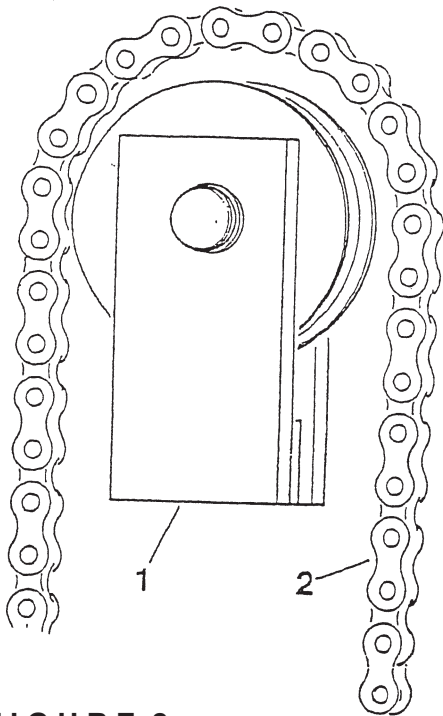
Open release valve by pressing down on release pedal. At the same time, pump foot lever three or four strokes. Do this three or four times. Then place some weight on the platform or forks and pump foot lever until platform reaches its full height. Now, lower lift six inches to a foot at a time. This should dislodge dirt and lift should work properly.

**FIGURE 1:
WHEEL IDENTIFICATION**

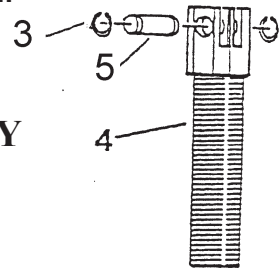


WHEEL IDENTIFICATION

ITEM NO.	PART NUMBER	DESCRIPTION
1	C101PH2	Swivel Caster Assembly
2	C102PH	Rigid Phenolic Wheel
3	C103	Mounting Hardware



**FIGURE 2:
CHAIN
ROLLER
ASSEMBLY**



CHAIN ROLLER ASSEMBLY

ITEM NO.	PART NUMBER	DESCRIPTION
1	0584-VR	Single Chain Assembly
2	C104**	Chain
3	C106B	Lock Ring
4	C106C	Chain Socket 3/4" Adjustable
5	C106A	Clevis Pin

** SPECIFIC MODEL NUMBER
REQUIRED WHEN ORDERING FOR
CORRECT CHAIN LENGTH

RECOMMENDED CYLINDER SPARE PARTS LISTING
M SERIES STACKERS - PAGE 1

PART #	DESCRIPTION	AVAILABILITY	KIT#
M400**	Hydraulic Cylinder Assy. Complete		
M402	Release Lever	A	
M403	Release Lever Pin	A	
M404	Pump Plunger Clip	A	
M407	N/A see 0457	K	
M410	Pump Body	K	1 & 2
N1200	Pump Body Plug	A	1 & 2
M412	Pump Check Ball	K	1 & 2
M413	Pump Check Spring	K	1 & 2
M414	Pump Valve/Release Gasket	A	1 & 2
M415	Pump Valve Bolt	K	1 & 2
M416	Release Ball & Poppet	K	1 & 2
M417	Release Spring	K	1 & 2
M419	Release Bolt	K	1 & 2
M420	O Ring Reservoir Seal	K	4 & 2
M422	Pump Lever Bracket	A	
M423	Pump Lever Bracket Pins	A	
M424	Ram O Ring Seal	K	4 & 2
M425	Cylinder Nut	A	
M426**	Outer Cylinder	N	
M427	Vent Plug	A	
N1200	Oil Lever Plug	A	
M429	Pump Lever Return Spring	A	
M430**	Inner Cylinder	N	
M431**	Ram	N	
M432	Ram Guide Bearing Plate	K	4 & 2
M433-01	Ram Chevron Set	A	4 & 2
M434	Ram Chevron Set Washer	K	4 & 2

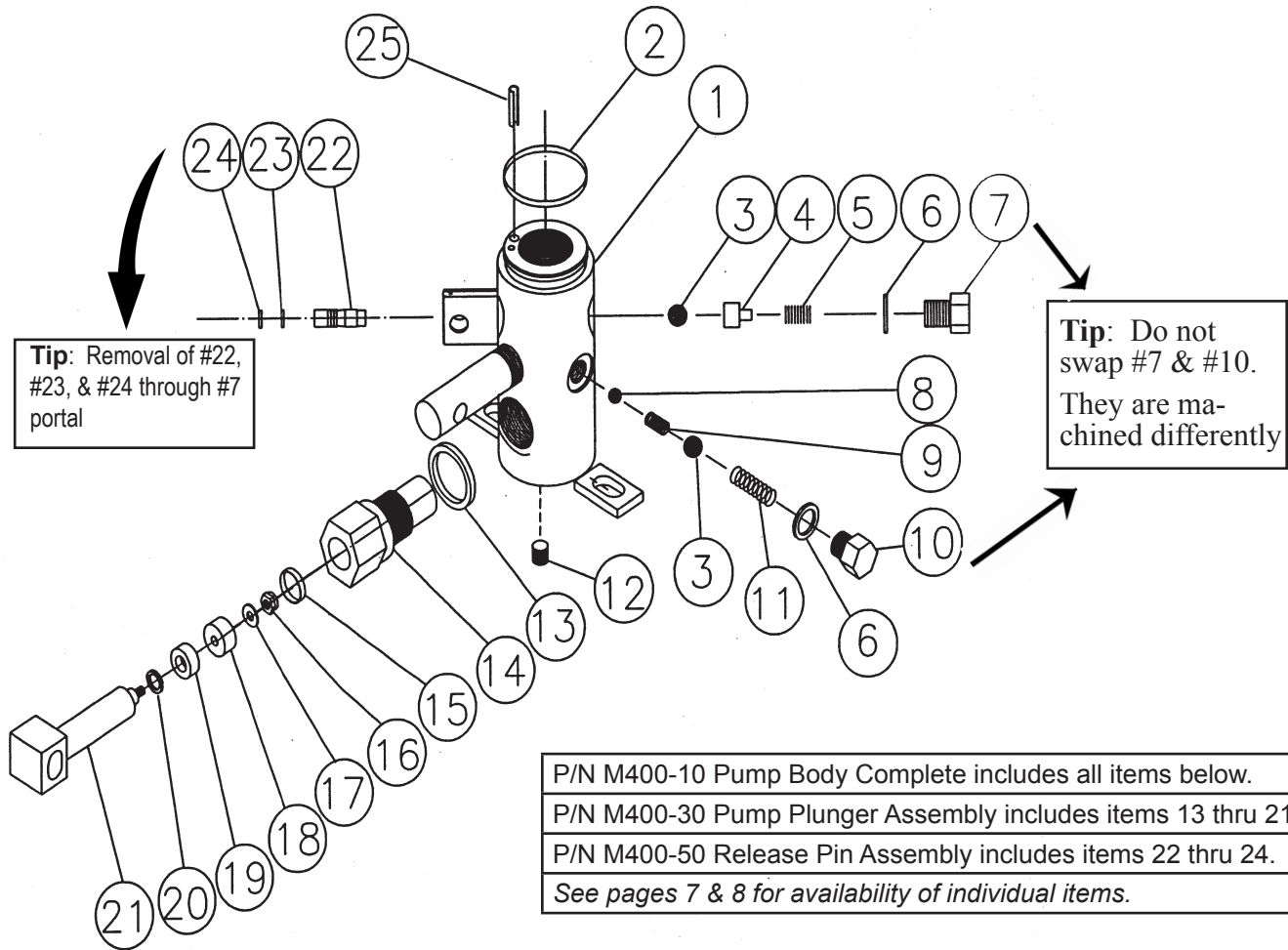
RECOMMENDED SPARE PARTS LISTING
M SERIES STACKERS - PAGE 2

PART #	DESCRIPTION	AVAILABILITY	KIT#
M435	Ram Cup Nut	K	4 & 2
M436	Foot Lever	A	
M437	Foot Lever Pad	A	
M438	Pump Intake Spring	K	1 & 2
M439	Pump Intake Ball	A	1 & 2
M440	Release Pin O Ring	K	5 & 2
M441	Release Pin Back-Up Ring	K	5 & 2
M442	Release Pin	K	5 & 2
M443	Plunger Sleeve Gasket	A	1-3 & 2
M444	Plunger Sleeve	K	1-3 & 2
M445	Plunger O Ring	A	1-3 & 2
M446	Plunger Nut	A	1-3 & 2
M447	Plunger Washer	A	1-3 & 2
M448	Plunger Cup	A	1-3 & 2
N0040	Nut	A	
N0810	Bolt	A	
0457	Square Pump Plunger	K	1-3 & 2

** SPECIFIC MODEL NUMBER REQUIRED

NOTE: A = AVAILABLE
 N = NOT AVAILABLE; Must buy complete Cylinder
 K = In a kit only.
 Kit Number: 1 = M400-10
 Kit Number: 2 = M400-20
 Kit Number: 3 = M400-30
 Kit Number: 4 = M400-40
 Kit Number 5 = M400-50

FIGURE 3: M400-10 PUMP BODY COMPLETE



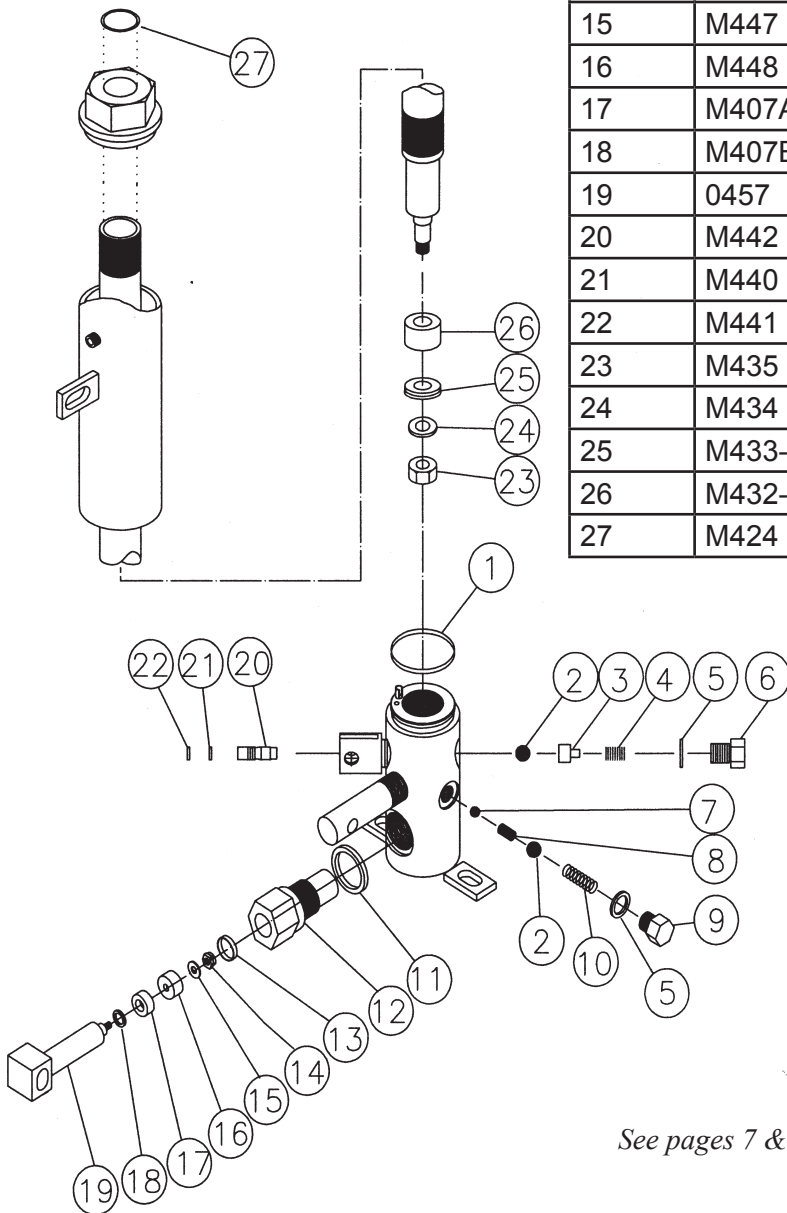
P/N M400-10 Pump Body Complete includes all items below.
 P/N M400-30 Pump Plunger Assembly includes items 13 thru 21.
 P/N M400-50 Release Pin Assembly includes items 22 thru 24.
 See pages 7 & 8 for availability of individual items.

ITEM No.	PART No.	QTY	DESCRIPTION
1	M410	1	Pump Body
2	M420	1	Reservoir Seal O Ring
3	M412	2	Pump Check Ball
4	M416A	1	Poppet
5	M417	1	Release Spring
6	M414	2	Gasket
7	M419	1	Release Bolt
8	M439	1	Pump Intake Ball
9	M438	1	Pump Intake Spring
10	M415	1	Pump Valve Bolt
11	M413	1	Pump Check Spring
12	M411	1	Plug
13	M443	1	Gasket

ITEM No.	PART No.	QTY	DESCRIPTION
14	M444	1	Plunger Sleeve
15	M445	1	Plunger O Ring
16	M446	1	Plunger Nut
17	M447	1	Washer
18	M448	1	Plunger Cup
19	M407A	1	Plunger Guide Brg.
20	M407B	1	Seal O Ring
21	0457	1	Pump Plunger
22	M442	1	Release Pin
23	M440	1	Release Pin O Ring
24	M441	1	Release Pin
25	M410-D	1	Pin, Spring Roll

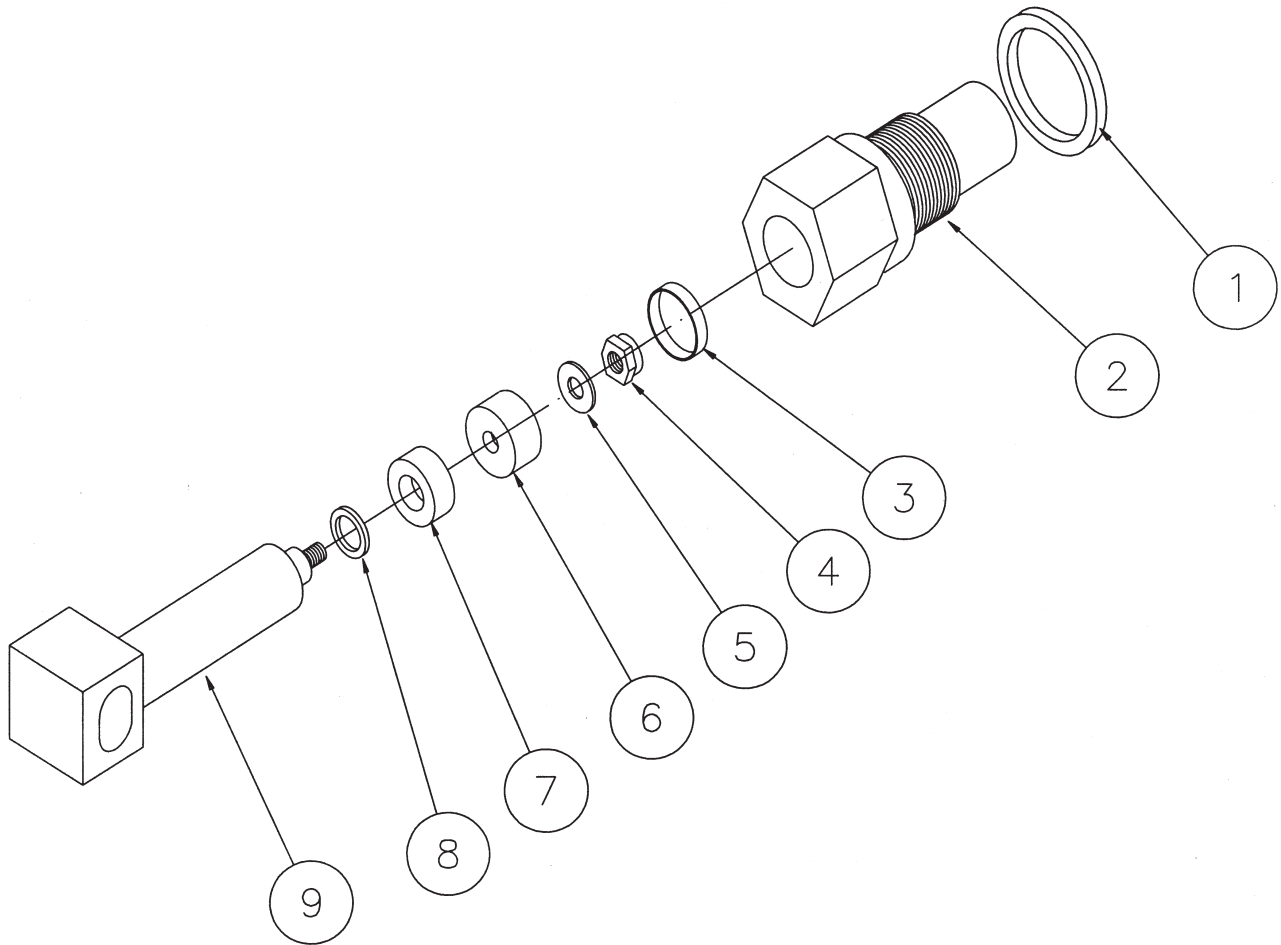
**FIGURE 4:
M400-20 CYLINDER
ASSEMBLY REPAIR KIT**

ITEM#	P/N	DESCRIPTION	Qty
1	M420	Reservoir Seal O Ring	1
2	M412	Pump Check Ball	2
3	M416A	Poppet	1
4	M417	Release Spring	1
5	M414	Gasket 3/32 OD x 1/2 ID x 3/32 thk	2
6	M419	Release Bolt	1
7	M439	Pump Intake Ball	1
8	M438	Pump Intake Spring	1
9	M415	Pump Valve Bolt	1
10	M413	Pump Check Spring	1
11	M443	Gasket	1
12	M444	Plunger Sleeve	1
13	M445	Plunger O Ring	1
14	M446	Plunger Nut	1
15	M447	Washer	1
16	M448	Plunger Cup	1
17	M407A	Plunger Guide Bearing	1
18	M407B	Seal O Ring	1
19	0457	Plunger, Pump 1000/2000	1
20	M442	Release Pin	1
21	M440	Release Pin O Ring	1
22	M441	Release Pin Back Up Ring (Split)	1
23	M435	Nut, Ram Cup	1
24	M434	Washer, Ram	1
25	M433-01	Seal, Deep Z	1
26	M432-01	Plate, Ram Guide Bearing	1
27	M424	O Ring, Ram Seal, 813 ID x 1.06	1



See pages 7 & 8 for availability of individual items.

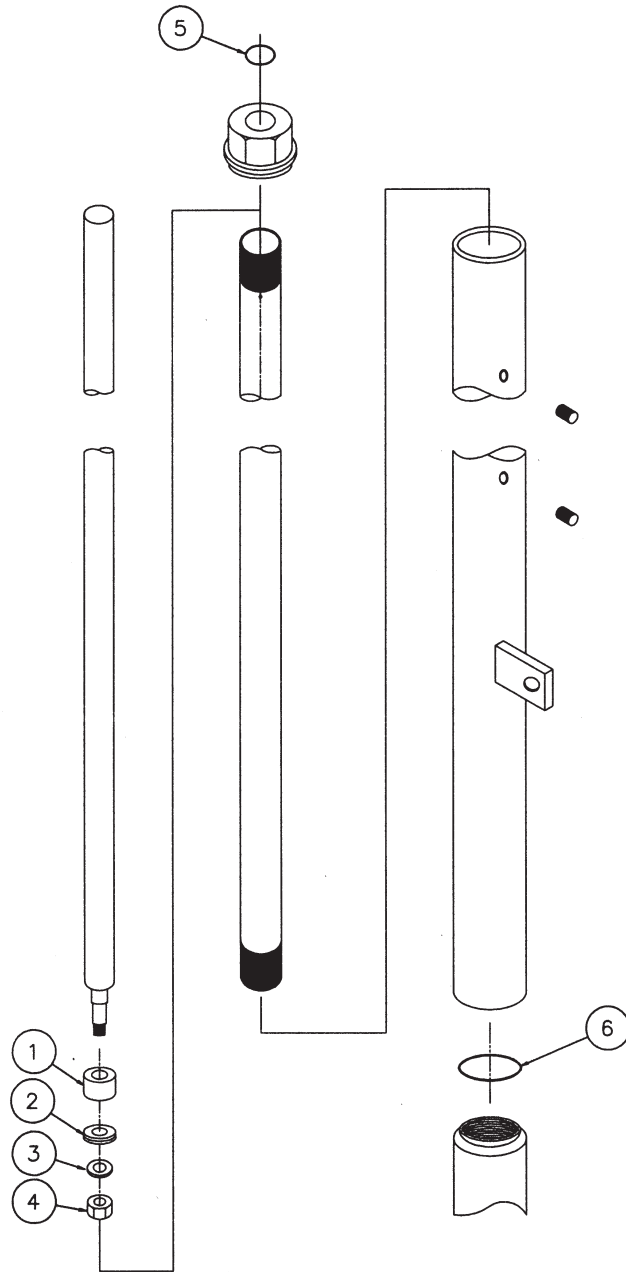
FIGURE 5: M400-30 PUMP PLUNGER ASSEMBLY



See pages 7 & 8 for availability of individual items.

ITEM #	P/N	QTY	DESCRIPTION
1	M443	1	Gasket
2	M444	1	Plunger Sleeve
3	M445	1	Plunger O Ring
4	M446	1	Plunger Nut
5	M447	1	Washer
6	M448	1	Plunger Cup
7	M407A	1	Plunger Guide Bearing
8	M407B	1	Seal O Ring
9	0457	1	Pump Plunger

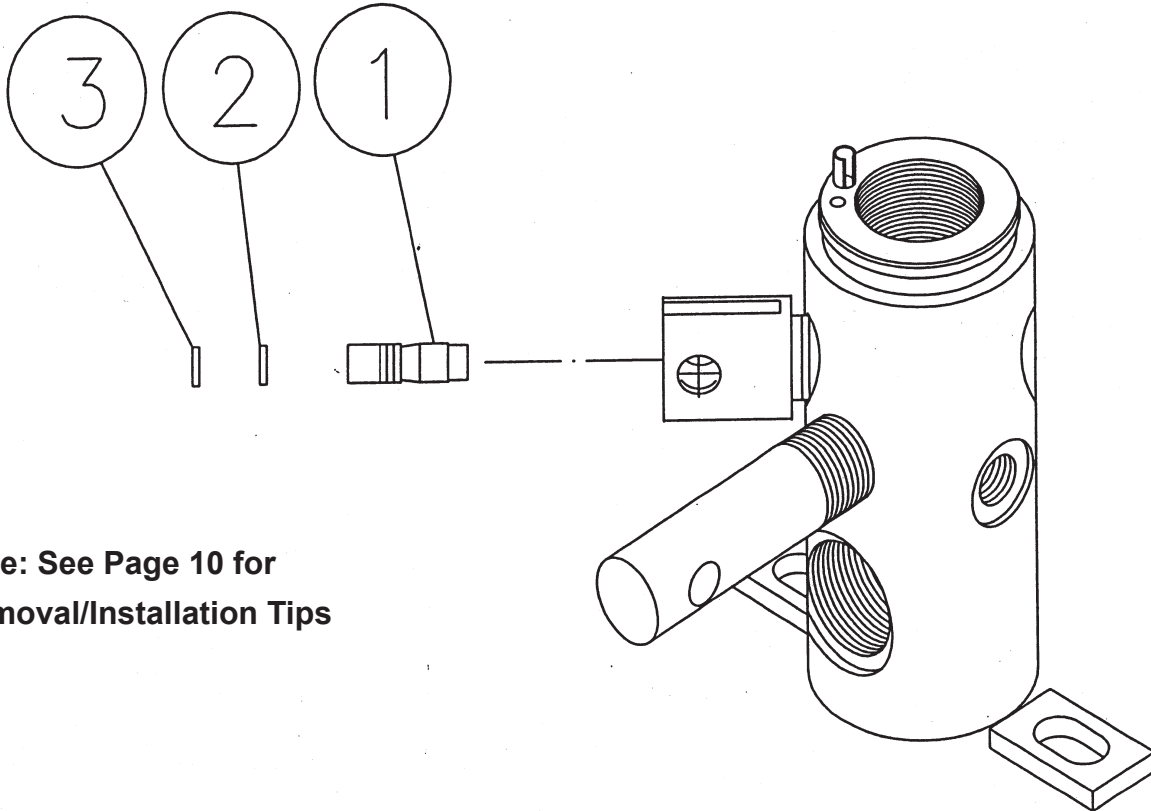
**FIGURE 6:
M400-40 CYLINDER
PACKING KIT**



ITEM#	P/N	DESCRIPTION	Qty
1	M432-01	Plate, Ram Guide Bearing	1
2	M433-01	Seal, Deep Z	1
3	M434	Washer, Ram	1
4	M435	Nut, Ram Cup	1
5	M424	O Ring, Ram Seal, 813 ID x 1.06	1
6	M420	Reservoir Seal O Ring	1

See pages 7 & 8 for availability of individual items.

FIGURE 7: M400-50 RELEASE PIN ASSEMBLY

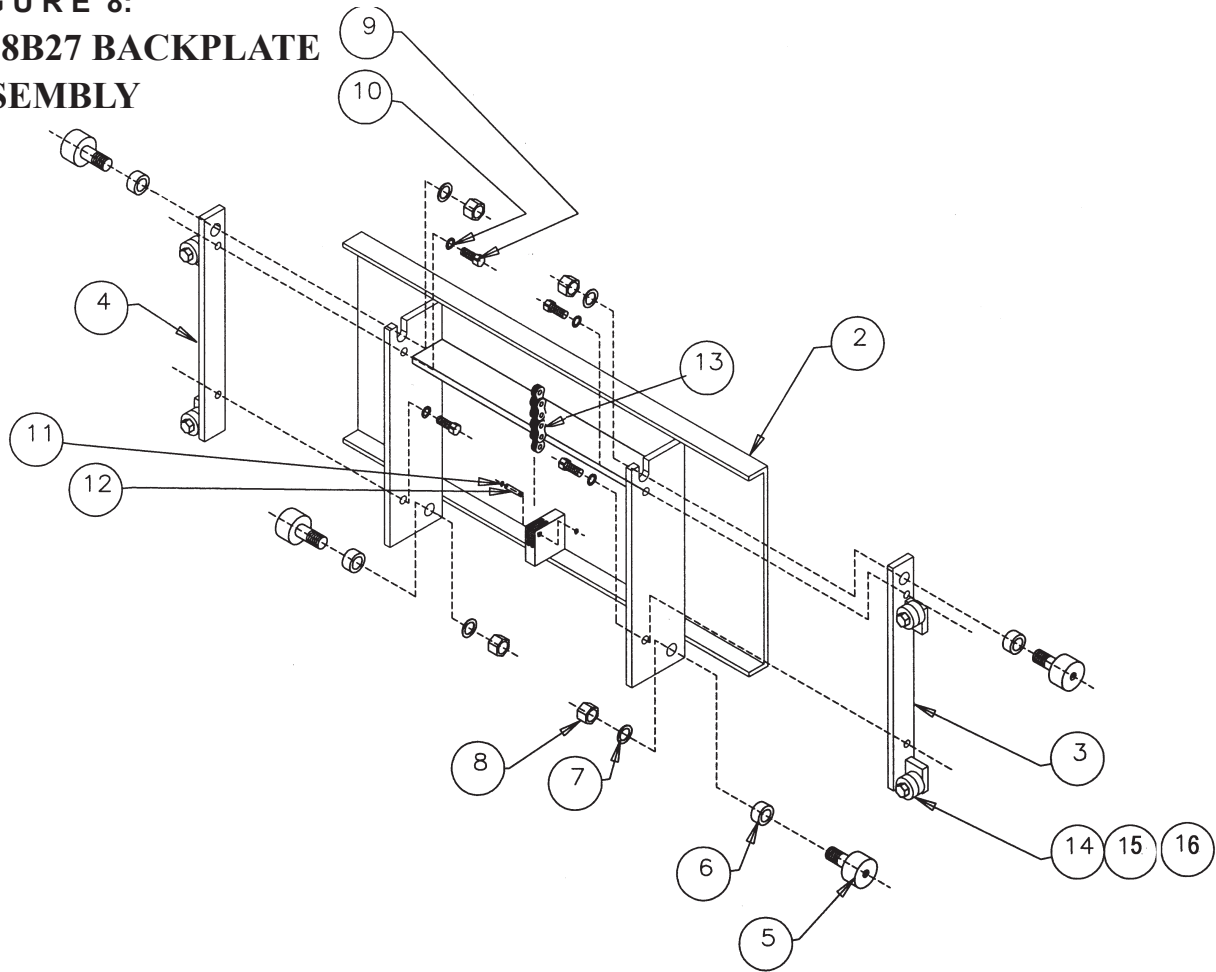


**Note: See Page 10 for
Removal/Installation Tips**

ITEM#	P/N	QTY	DESCRIPTION
1	M442	1	Release Pin
2	M440	1	Release Pin O Ring
3	M441	1	Release Pin Back Up Ring (Split)

See pages 7 & 8 for availability of individual items.

**FIGURE 8:
C118B27 BACKPLATE
ASSEMBLY**

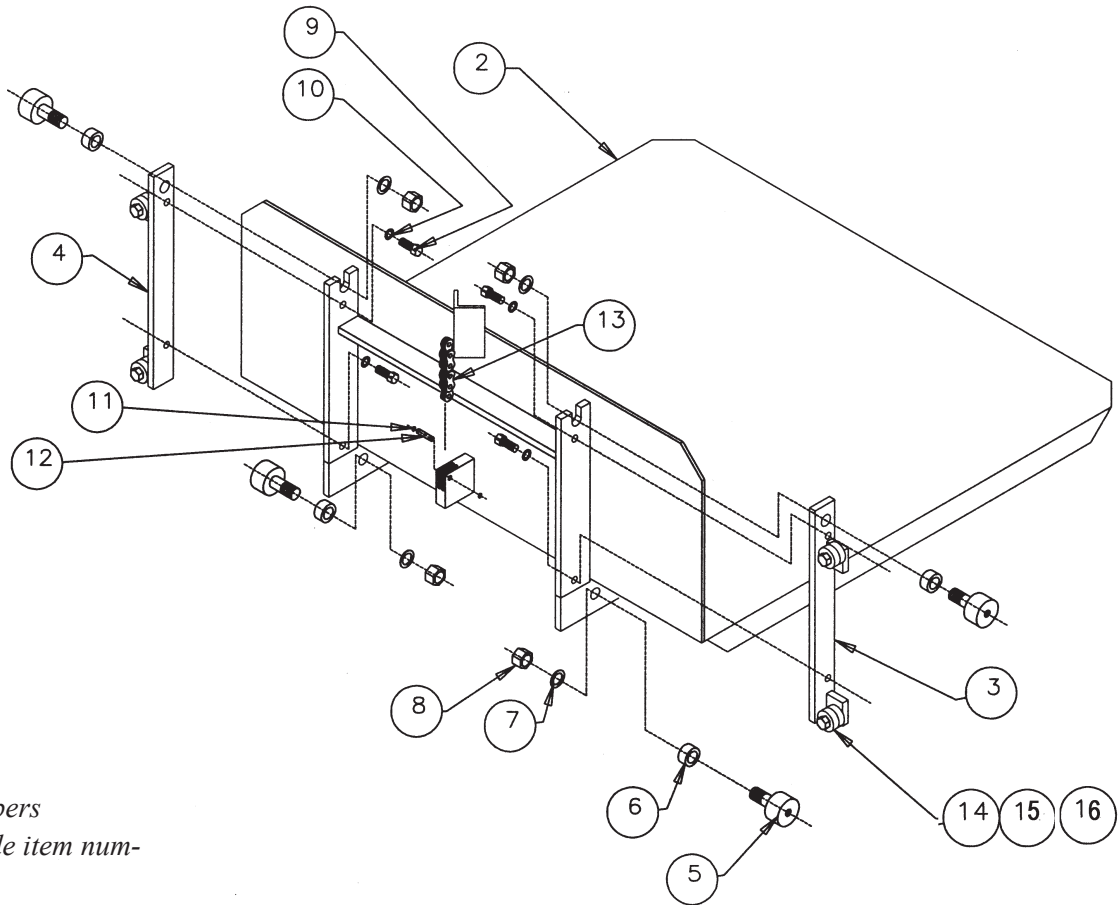


NOTE: Item number 1-A includes item numbers 2 thru 10

ITEM#	P/N	QTY	DESCRIPTION
1-A	C118B27-1000AVR	1	Backplate Assembly Complete 1000#
3	C111VR	1	Side Thrust Bearing Assembly R/S
4	C112VR	1	Side Thrust Bearing Assembly L/S
Item Numbers 3 & 4 Include Item Number 14			
5	2630032	4	Bearing
6	C108	4	Hood Bearing Spacer
7	N0427	4	5/8 Internal Lockwasher
8	2340772	4	5/8-16 Hex Nut
9	N0920	4	3/8-16 X 1" Screw, Cap HH CR2
10	N0260	4	3/8 Lockwasher
11	C106B	2	Lock Rings
12	C106A	1	Clevis Pin
13	C104-XX**	1	Lift Chain
14	C114	4 or 8	Bearing
15	N0961	4	Bolt
16	N0260	4	Washer

**** Specific Model No. Required**

**FIGURE 9:
C117E
PLATFORM
ASSEMBLY**



*NOTE: Item numbers
1-A thru -B include item num-
bers 2 thru 10*

ITEM#	P/N	QTY	DESCRIPTION
1-A	C117E24-1000AVR	1	Platform Assembly 24 X 24" 1000#
-B	C117E32-1000AVR	1	Platform Assembly 32 X 30" 1000#
3	C111VR	1	Side Thrust Bearing Assembly R/S
4	C112VR	1	Side Thrust Bearing Assembly L/S Item Numbers 3 & 4 include Item Number 14
5	2630032	4	Bearing
6	C108	4	Hood Bearing Spacer
7	N0427	4	5/8 Internal Lockwasher
8	2340772	4	5/8-18 Hex Nut
9	N0920	4	3/8-16 X 1" Screw, Cap HH CR2
10	N0260	4	3/8 Lockwasher
11	C106B	2	3/8 Lock Rings
12	C106A	1	Clevis Pin
13	C104**	1	Lift Chain
14	C114	4 or 8	Bearing
15	N0961	4	Bolt
16	N0260	4	Washer

** Specific model number required.

FIGURE 10: STACKER ASSEMBLY

ITEM#	QUANTITY	P/N	DESCRIPTION
1	1	0584-VR	Chain Roller Assembly
2	2	C102PH	Rigid Phenolic Wheel
3	1	M400**	Cylinder Assembly
4	4	C107	Roller Kit
5	1	M429	Return Spring
6	1	M436	Foot Lever (pad M437)
7	2	C101PH2	Swivel Wheel Assembly
8	1	C100	Floor Lock

*** Specific model number required.*

When purchasing any M400-xx series cylinder make sure to purchase the breather plug, p/n M427, also.

All M400-xx series cylinders need to have the NPT shipping plug removed from the top hole after being installed in the lift, and replaced with the NPT breather plug (p/n M427). If this step is not completed, the cylinder will not operate properly.

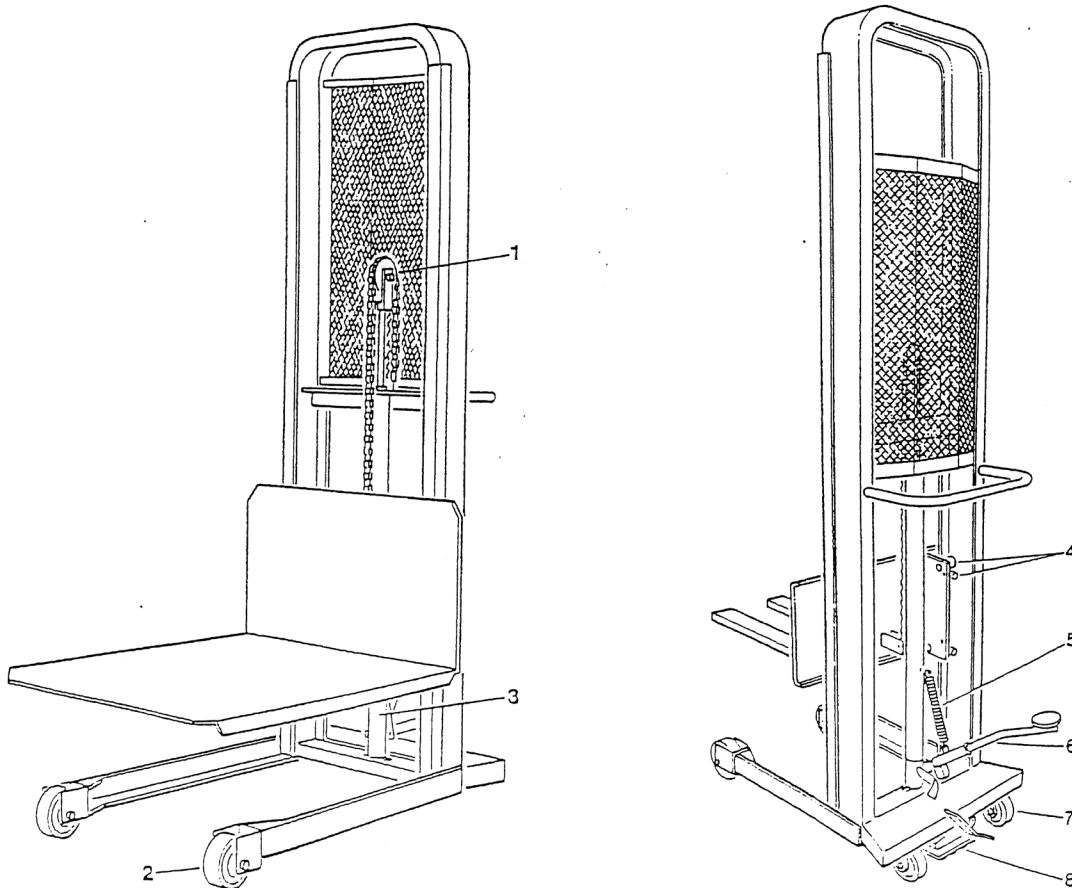
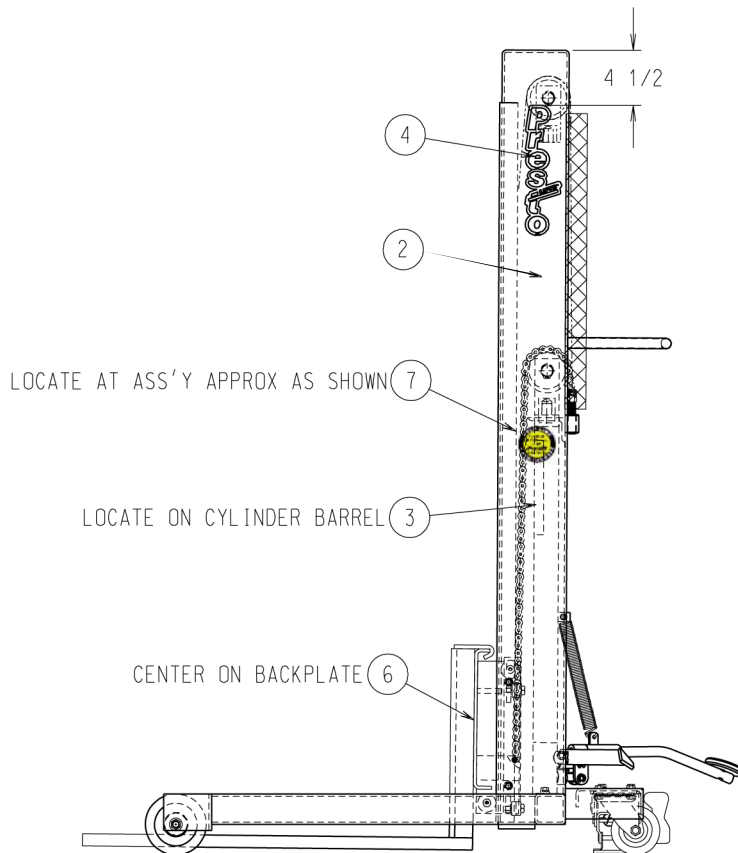
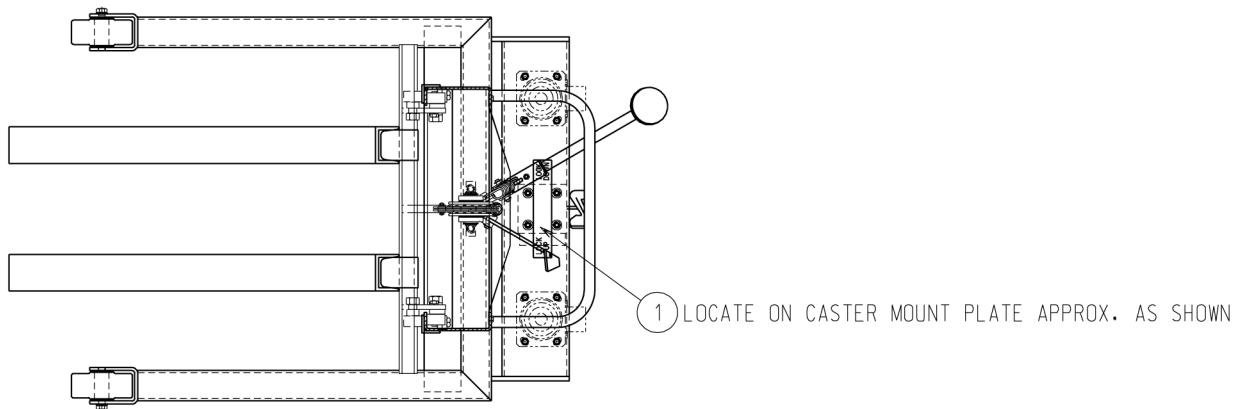


FIGURE 11: LABEL PLACEMENT DIAGRAM



ITEM #	QTY	DESCRIPTION
1	1	Lock Up-Lock Down
2	1	Name Plate
3	1	Do Not Stand On Forks
4	1	Presto Lifts (Verticle Logo)
6	1	Load Center
7	1	Help Line

PARTS

Standard parts may be returned with a 20% restocking fee or \$35.00 net, whichever is greater. Modified or custom-engineered parts are not returnable. Unfortunately, due to potentially concealed damage, all sales of electrical assemblies are final.

QUALITY ISSUES

Should you feel there is a quality problem, please contact the seller to ask questions and gather information on how to rectify the issue. Presto Lift Inc. reserves the right to determine potential credits, as a result of factory defects, based on its inspection of the merchandise.

GENERAL

All products shipped from our factory have passed Quality Assurance inspection and testing. The carrier of choice has signed for, and accepted the product in new working condition. The customer should inspect to ensure it is not received damaged, has no concealed damage or is not incomplete. Parts orders are determined to be complete based upon Presto Lift, Inc. inspection sheets and carrier shipping weights.

RETURN MATERIALS AUTHORIZATION POLICY

Presto Lifts provides the Return Materials Authorization (RMA) Policy, for specific models, as a courtesy to our distributors in the event they do not receive what they ordered. If a customer wishes to return a Presto Lifts product, please contact the Customer Service Department and request an RMA number. This request must be made on or before the fifteenth calendar day following the date of Presto Lifts' invoice for the merchandise. Not all units are returnable. Quantity orders and special designs cannot be returned under any circumstances. Presto Customer Service reserves the right for final judgment on all product returns.

The RMA number must appear on the outside of any packaging material for a return to be accepted and processed by Presto Lifts. Customers shipping returns from the Continental US, Canada, or Mexico have thirty (30) days from date of RMA issue to have the product arrive at Presto Lifts' facility. All merchandise must arrive Free on Board at Presto Lifts' facility or the shipment will be refused and returned to the sender. All credits are issued less restocking and refurbishing charges, regardless if the merchandise was damaged in transit.

Return addresses: please refer to your RMA for the address to which your product should be returned.

Presto Lift Inc.
715 Highway 77
Manila, Arkansas 72442

Telephone: 800-343-9322
Fax: 888-788-6496

Ordering Replacement Parts

Presto Lifts has carefully chosen the components in your unit to be the best available for the purpose. Replacement parts should be identical to the original equipment. Presto Lifts will not be responsible for equipment failures resulting from the use of incorrect replacement parts or from unauthorized modifications to the unit.

Presto Lifts can supply all replacement parts for your lift. With your order, please include the model number and the serial number of the unit. You can find these numbers on the name plate. This plate is located on the angle support at the top of the cylinder.

To order replacement parts, please call the Presto Parts Department. Parts are shipped subject to the following terms:

- FOB factory
- Returns only with the approval of our Parts Department.
- Credit cards preferred (except parts covered by warranty).
- Freight collect for truck (except parts covered by warranty).
- Freight prepaid and invoice for small parcel shipments (except parts covered by warranty).
- The warranty for repair parts is 30 days from date of shipment.

Parts replaced under warranty are on a “charge-credit” basis. We will invoice you when we ship the replacement part, then credit you when you return the worn or damaged part, and we verify that it is covered by our warranty. Labor is not covered under warranty for Parts orders.

Presto Parts Department

50 Commerce Way
Norton, MA 02766

Telephone: 800-343-9322

FAX: 888-788-6496

Email: parts@PrestoLifts.com

www.PrestoLifts.com