

# LPT

## Low Profile Turntable



## Installation, Operation and Service Manual

Model Number \_\_\_\_\_

Serial # \_\_\_\_\_

Date Placed in Service \_\_\_\_\_

**IMPORTANT: READ CAREFULLY**

**BEFORE INSTALLING OR OPERATING LIFT**

Part orders are subject to a \$50 minimum charge.

JUNE 2016



---

This manual was current at the time of printing. To obtain the latest, most updated version, please contact the Customer Service Department or go to our website: [www.PrestoLifts.com](http://www.PrestoLifts.com) -- you will find a complete list of current Owner's Manuals to print.

# Responsibility of Owners and Users

## **Inspection and Maintenance**

The device shall be inspected and maintained in proper working order in accordance with Presto's owner's manual.

## **Removal from Service**

Any device not in safe operating condition such as, but not limited to, excessive leakage, missing rollers, pins, or fasteners, any bent or cracked structural members, cut or frayed electric, hydraulic, or pneumatic lines, damaged or malfunctioning controls or safety devices, etc. shall be removed from service until it is repaired to the original manufacturer's standards.

## **Deflection**

It is the responsibility of the user/purchaser to advise the manufacturer where deflection may be critical to the application.

## **Repairs**

All repairs shall be made by qualified personnel in conformance with Presto's instructions.

## **Operators**

Only trained personnel and authorized personnel shall be permitted to operate the lift.

## **Before Operation**

Before using the device, the operator shall have:

- Read and/or had explained, and understood, the manufacturer's operating instructions and safety rules.
- Inspected the device for proper operation and condition. Any suspect item shall be carefully examined and a determination made by a qualified person as to whether it constitutes a hazard. All items not in conformance with Presto's specification shall be corrected before further use of the equipment.

## **During Operation**

The device shall only be used in accordance with this owner's manual.

- Do not overload.
- Ensure that all safety devices are operational and in place.

## **Modifications or Alterations**

Modifications or alterations to any Presto industrial positioning equipment shall be made only with written permission from Presto.

# SAFETY ALERT SYMBOLS AND SIGNAL WORDS

The safety of all persons operating, maintaining, repairing, or in the vicinity of this equipment is of paramount concern. This is a powerful machine with moving parts, and is capable of causing personal injury if proper precautions are not taken. Therefore, throughout this manual, certain hazards have been identified which may occur in the use of the machine, and there are appropriate instructions or precautions which should be taken to avoid these hazards. In some cases, there are consequences which may occur if instructions or precautions are not followed. Below are the symbols and signal words along with their definitions referenced from ANSI Z535.4 - Product Safety Signs and Labels.

## Safety Alert Symbols

These are the safety alert symbols. They are used to alert you to potential physical injury hazards. Obey all safety messages that follow this symbol to avoid possible injury or death.



**For use with DANGER signal word**  
(Red Background)



**For use with WARNING signal word**  
(Orange Background)



**For use with CAUTION signal word**  
(Yellow Background)

## Signal Words

The meaning of different signal words as defined by ANSI Standard Z535.4 indicates the relative seriousness of the hazardous situation.



(Red Background)

DANGER indicates a hazardous situation which, if not avoided, will result in death or serious injury.



(Orange Background)

WARNING indicates a hazardous situation which, if not avoided, could result in death or serious injury.



(Yellow Background)

CAUTION, used with the safety alert symbol, indicates a hazardous situation which, if not avoided, could result in minor or moderate injury.



(Blue Background)

NOTICE is used to address practices not related to personal injury.



(Green Background)

SAFETY INSTRUCTIONS (or equivalent) signs indicate safety-related instructions or procedures.

## PRESTO LIFTS LOW PROFILE TURNTABLE OWNER'S INFORMATION

### I. Installation

It is important that your new Low Profile Turntable be unskidded and installed properly. To assure your satisfaction, please follow these steps:

1. Inspect for any shipping damages and note these to the trucker and on the paperwork.
2. Position the skid adjacent to where the machine is to be set.
3. It is extremely important that the machine be installed on a smooth and flat surface which is clean and dry.
4. Carefully slide the LPT from the skid onto steel or wood lengths which form a ramp to the floor. If transition lengths are not available, the LPT can be slid directly onto the floor; however, it must be done with care.

**CAUTION** Do not roll turntable on its perimeter - this will cause ball bearings under the platform to move out of position and will result in poor machine performance.

### II. Operation

**CAUTION** Do not allow personnel to walk or run across the turntable, as it will tend to rotate, causing an individual to fall and receive personal injury.

The Low Profile Turntable is designed to operate with up to 4,000 lbs. After a reasonable break-in period, you can expect that the force required to rotate a uniform and centered load will be:

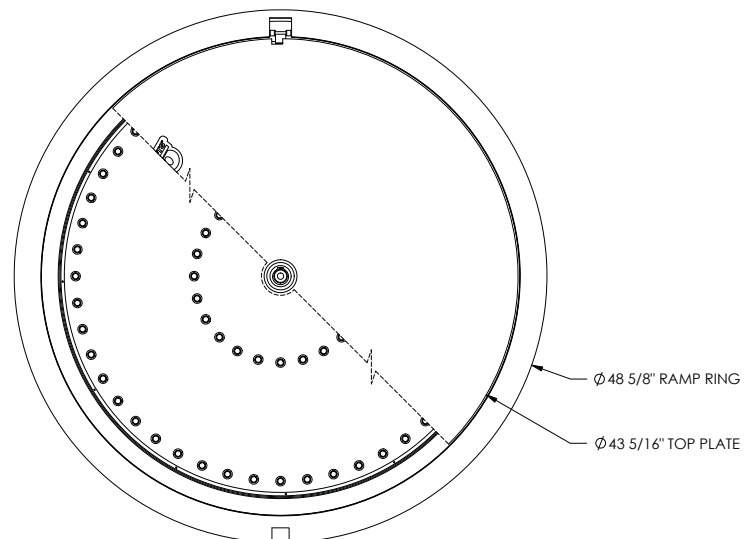
- 500 lbs. = 15-20 lbs. applied 2 feet from center
- 1,000 lbs. = 30-35 lbs. applied 2 feet from center
- 2,000 lbs. = 40-45 lbs. applied 2 feet from center
- 4,000 lbs. = 70-75 lbs. applied 2 feet from center

**NOTE:** The machine is designed to accept pallet jack rollover loading with 4,000 lbs. Forklift loading is fine; however, the front wheels of the forklift should never be brought on or driven over the turntable.

### III. Maintenance

This machine is designed to be nearly maintenance free if used as intended.

The rotating platform bears on two (2) concentric rings of seated ball bearings. If the platform starts rotating with increased difficulty, it may be necessary to disassemble the machine completely, clean all components, and reseal ball bearings in new grease. To perform this procedure, please call Presto Customer Service at the number listed below.

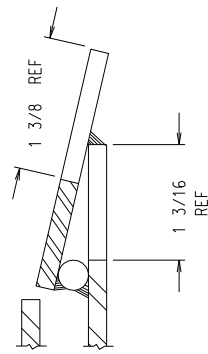
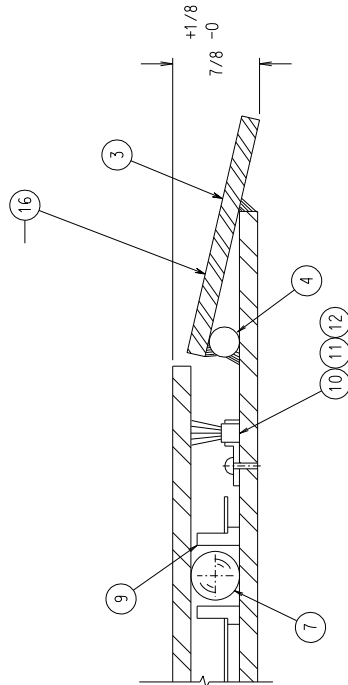
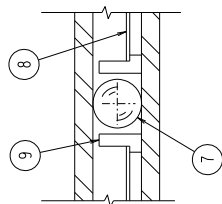
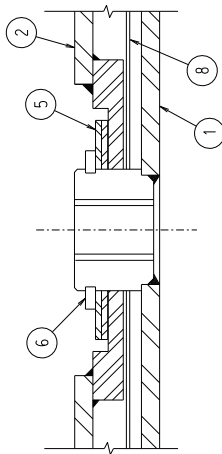


#### Turntable Specifications

- Maximum Capacity: 4000 lbs
- Turntable Height: 7/8"
- Turntable Diameter: 43-5/16"
- Overall Diameter: 48-5/8"
- Net Weight: 220 lbs

Presto Lifts Parts Department  
50 Commerce Way, Norton, MA 02766  
Telephone: 800-343-9322  
FAX: 888-788-6496  
Email: [Service@PrestoLifts.com](mailto:Service@PrestoLifts.com)  
[www.PrestoLifts.com](http://www.PrestoLifts.com)

### Low Profile Turntable Assembly





# Presto Lifts Limited Warranty Policy

Presto Lifts warrants all of its products against defects in the welded structural frame and, if applicable, scissor legs from faulty material and workmanship for a period of five (5) years from the date of invoice.

All other components have a limited warranty against defects in faulty material and workmanship for a two (2) year period from the date of invoice and 30 day limited warranty on labor. Please note that prior authorization from Presto Lifts is required on all warranty work.

There are no implied warranties of any kind, more specifically, there are no warranties of merchantability or fitness for any particular purpose. Presto Lifts' sole warranty shall be as set forth in this limited warranty.

Presto Lifts will elect to repair or replace a defective component without charge, if any components should become defective within the limited warranty period. Proof of purchase is required for warranty. The charge for shipping the defective component is the responsibility of the buyer and must be accompanied with an RMA number. The shipping charge to return the component to the buyer is the responsibility of Presto Lifts, Inc.

This limited warranty does not cover labor expense for removal or reinstallation of components after thirty days. This limited warranty shall not cover, among other things: damages resulting from foreign matter or water, failure to provide reasonable and necessary maintenance, and if applicable, use of product while charger is plugged into an AC outlet, or failure to follow operating instructions. The limited warranty is not valid for damage resulting from negligence, accident, unreasonable use, abuse or misuse, exceeding data plate capacities or altering the product without Presto Lifts authorization.

Presto Lifts expressly disclaims and excludes any liability for consequential, incidental, indirect or punitive damages or financial loss to people or property resulting from any breach of warranty or the operation or failure of this product.

Presto Lifts makes no representation that this product complies with local, state, or federal safety/product standards codes. Should this product fail to comply in any way with those codes, it shall not be considered a defect of materials or workmanship. Presto Lifts shall not be held liable for any damages resulting from noncompliance. It is the dealer's responsibility to exercise this limited warranty. This limited warranty is provided to the original purchaser (defined as the original end user) and is nontransferable. This constitutes the complete and final agreement involving Presto Lifts and limited warranty obligations for products.



MANY NEEDS REQUIRE MANY OPTIONS...

**Presto** LIFTS



LET PRESTO MEET THOSE NEEDS!

Call Presto Sales  
for stock or  
customized lift inquiries:  
**800-343-9322**

Email: [sales@prestolifts.com](mailto:sales@prestolifts.com)

