



Presto DXS Series and ECOA CDL & CLT Series



Installation, Operation and Service Manual

Model Number _____

Serial # _____

Date placed in service _____

**IMPORTANT: READ CAREFULLY
BEFORE INSTALLING OR OPERATING LIFT**

Part orders are subject to a \$50 minimum charge.



This manual was current at the time of printing. To obtain the latest, most updated version, please contact Presto-ECO Lifts Customer Service Department or go to our website: www.PrestoLifts.com where you will find a complete list of current owner's manuals to print.

CONTENTS

SECTION 1:	
Introduction.....	4
Responsibility of Owners and Users.....	5
Safety Alert Symbols and Signal Words.....	6
SECTION 2:	
Safety.....	7
SECTION 3:	
Installation.....	8
A. Uncrating and Inspection.....	8
B. Installing.....	8
C. Electricals.....	8
D. Hydraulics.....	8
E. Testing the Lift with No Load.....	8
SECTION 4:	
Operation.....	9
A. Method of Operation.....	9
B. Operating Instructions.....	9
SECTION 5:	
Maintenance.....	10
Hazards.....	10
If the lift will not raise.....	11
If the lift fails to lower.....	11
Routine Periodic Maintenance.....	12
Troubleshooting.....	13
PARTS / QUALITY ISSUES/ GENERAL.....	17
ORDERING REPLACEMENT PARTS.....	17
WARRANTY.....	20

LIST OF FIGURES :

Figure 1: Maintenance Check.....	10
Figure 2: Pinch Points.....	11
Figure 3: Electrical Diagram 115V.....	10
Figure 4: DXS Components Diagram.....	13
Figure 5: DXS Power Unit Components.....	14
Figure 6: Hydraulic Schematic (All models).....	15
Figure 7: Labels and Locations.....	16

LIST OF TABLES :

Table 1 Hydraulic oil Specifications.....	17
---	----

SECTION 1

INTRODUCTION

This manual attempts to provide all of the information necessary for the safe and proper installation, operation and maintenance of Presto-ECO Double Scissor Lifts. It is important that all personnel involved with the installation, maintenance or operator of the scissor lift read this manual. Where unique situations arise, that are not covered in this manual call Presto-ECO for further instructions. Additional manuals are available upon request or on our web site at www.prestolifts.com.

The scissor lift has a nameplate that provides the load capacity ratings, serial number and model identifications. Please refer to these numbers when ordering parts or requesting further information.

The Presto-ECO Double Scissor Lifts are designed for lifting, lowering and positioning a variety of loads. WHERE UNIQUE SITUATIONS ARISE, THAT ARE NOT COVERED IN THIS MANUAL, CALL PRESTO-ECO FOR FURTHER INSTRUCTIONS.

The Double Scissor Lifts are designed for inplant/nonhazardous location use only. These units are not for personnel lifting.

Responsibility of Owners and Users

Inspection and Maintenance

The device shall be inspected and maintained in proper working order in accordance with Presto owner's manual.

Removal from Service

Any device not in safe operating condition such as, but not limited to, excessive leakage, missing rollers, pins, or fasteners, any bent or cracked structural members, cut or frayed electric, hydraulic, or pneumatic lines, damaged or malfunctioning controls or safety devices, etc. shall be removed from service until it is repaired to the original manufacturer's standards.

Repairs

All repairs shall be made by qualified personnel in conformance with Presto's instructions.

Operators

Only trained personnel and authorized personnel shall be permitted to operate these lifts.

Before Operation

Before using the device, the operator shall have:

- Read and/or had explained, and understood, the manufacturer's operating instructions and safety rules.
- Inspected the device for proper operation and condition. Any suspect item shall be carefully examined and a determination made by a qualified person as to whether it constitutes a hazard. All items not in conformance with Presto's specification shall be corrected before further use of these lifts.

During Operation

The device shall only be used in accordance with this owner's manual.

- Do not overload.
- Ensure that all safety devices are operational and in place.

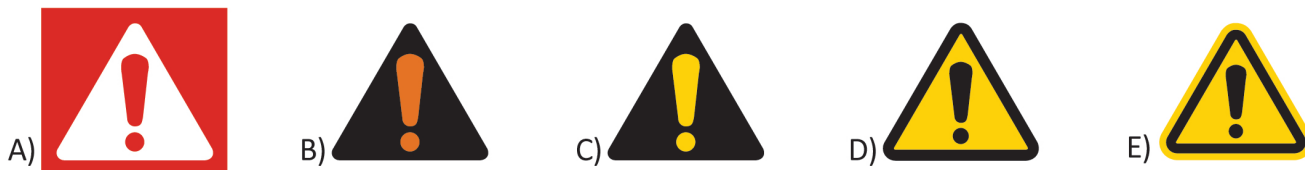
Modifications or Alterations

Modifications or alterations to any Presto industrial positioning equipment shall be made only with written permission from Presto.

SAFETY ALERT SYMBOLS AND SIGNAL WORDS

The safety of all persons operating, maintaining, repairing, or in the vicinity of this equipment is of paramount concern. This is a powerful machine with moving parts, and is capable of causing personal injury if proper precautions are not taken. Therefore, throughout this manual, certain hazards have been identified which may occur in the use of the machine, and there are appropriate instructions or precautions which should be taken to avoid these hazards. In some cases, there are consequences which may occur if instructions or precautions are not followed. Below are the symbols and signal words along with their definitions referenced from ANSI Z535.4 - Product Safety Signs and Labels.

4.11 Safety Alert Symbols: A symbol that indicates a hazard. It is composed of an equilateral triangle surrounding an exclamation mark. The safety alert symbol is only used on hazard alerting signs. It is not used on safety notice and safety instructions signs.



A): for use with DANGER signal word; (safety white triangle, safety red exclamation mark, safety red background)

B): for use with WARNING signal word; (safety black triangle, safety orange exclamation mark)

C): for use with CAUTION signal word; (safety black triangle, safety yellow exclamation mark)

D) and E): for use with DANGER, WARNING, or CAUTION signal word; (D: is a safety yellow triangle with a black border and safety black exclamation mark; E: is a safety yellow triangle with a safety black exclamation mark and a safety yellow border around a safety black band)

NOTE: D and E are provided to allow for consistency with certain ISO standards such as ISO 3864-1 and ISO 3864-2.

4.14 Signal Words: The words used in the signal word panel. The signal words for hazard alerting signs are “DANGER,” “WARNING,” and “CAUTION.” Safety notice signs use the signal word “NOTICE.” Safety instruction signs use signal words that are specific to the situation.



DANGER indicates a hazardous situation which, if not avoided, will result in death or serious injury.



WARNING indicates a hazardous situation which, if not avoided, could result in death or serious injury.



CAUTION indicates a hazardous situation which, if not avoided, could result in minor or moderate injury.



NOTICE is used to address practices not related to physical injury.



SAFETY INSTRUCTIONS (or equivalent) signs indicate specific safety-related instructions or procedures.

NOTE: DANGER, WARNING or CAUTION should not be considered for property damage accidents unless personal injury risk appropriate to these levels is involved.

SECTION 2

SAFETY

The safety of all persons installing, using, servicing, or working near the unit is of paramount concern to Presto-ECOALifts. The lift is a powerful machine with moving parts, and is **capable of causing personal injury if proper precautions are not taken**. Therefore, throughout this manual, Presto-ECOALifts have identified certain hazards, which may occur in the use of the unit, and provided appropriate **instructions** or precautions that should be taken to avoid these hazards. In some cases, Presto-ECOALifts has also pointed out the **consequences** that may occur if Presto-ECOALifts instructions or precautions are not followed. Presto-ECOALifts use the following nationally recognized system for identifying the severity of the hazards associated with its products:



DANGER Immediate hazard that will result in severe personal injury or death.



WARNING Hazard or unsafe practice, that could result in severe personal injury or death.



CAUTION Hazard or unsafe practice, that could result in minor personal injury or property damage.

In the interest of safety, please read the entire manual carefully. You must understand the material in this manual before you install, use, or service the unit. If you have any question about any of the instructions in this manual, please contact Presto-ECOALifts at 1-800-343-9322.

SAFETY INSTRUCTIONS

- Do not perform any repair work on a lift with a load on the platform or with the table in a raised position.
- All personnel must stand clear of the lift when the lift is in motion.
- Do not put hands or feet under lift table.
- Do not perform any repair or maintenance work with the lift in an open position without securing it first with proper maintenance devices.
- Do not stand, sit or climb on the lift at any time.
- Do not use the lift on soft, uneven or unstable surfaces.
- Do not exceed the load capacity rating on the data plate.
- Do not place a load on a moving lift.
- Do not exceed load capacity.
- Place a load in the center of the lift and be sure that the load is secured properly.

SECTION 3

INSTALLATION

A. UNCRATING AND INSPECTION

Upon receipt of the Double Scissor Lifts, inspect the equipment completely to determine if there is any shipping damage, and that the lift is complete. Presto-ECO A tests and inspects every piece of equipment prior to shipment. If damage is apparent, a freight claim must be filed with the freight company. Do Not use the lift if there appears to be any damage. With the lift in a collapsed position, check the following:

NOTICE

Lifts with oversize table tops must not be over extended since doing so may disassociate the cylinder base from its socket. (See Section 5, Maintenance).

1. Check for signs of damage especially to the electrical and hydraulic components.
2. Check all connections for tightness.
3. Check for any bent or damaged metal parts.
4. Check base frame for flatness.

NOTICE

When moving the lift, do not attempt to pick it up by the table top. The lift should be picked up by its base only.

B. INSTALLING

Before starting, be sure that the electrical system is wired and is in full compliance with local electrical codes and ordinances. Read all of the instructions prior to starting the lift.

1. Handle Assembly

Portable lifts have the push handles removed for ease of shipping. Handles should be inserted in the holders until they bottom out then tighten set screws on each holder with an Allen wrench.

2. Floor Installation

Electrical connections must be made according to the electrical schematics and information contained in Section 3C and in compliance to local codes and ordinances.

C. ELECTRICALS

1. The motors on Double Scissor Lifts are special intermittent duty motors with high pull up torques. These motors require heavier duty electrical controls than standard motors.
2. Wiring circuits must conform to local codes and must be installed by a licensed electrician.
3. Lifts are pre-wired at the factory for motor direction and performance.

CAUTION

All wiring must conform to local codes and must be performed by licensed electricians.

WARNING

Do not attempt to modify or change the electrical circuit. Any alterations will cause damage to the pump and possible physical injury. Only authorized personnel should service the electrical system.

4. For the XS, DXS or WXS Series Scissor Lifts, a dedicated circuit of 20 amps or larger will suffice to operate the lift.

D. HYDRAULICS

1. Use only hydraulic oil for the lift. The lift has been supplied with Conoco Super Hydraulic 32. When adding fluid, use only the recommended oils. See Table 1.
2. Before using the lift, check the hydraulic oil level and add oil if necessary. Check fittings for tightness. If the plug is not installed, you may damage the pump.

NOTICE

Double Scissor Lifts are designed for normal factory environments. Where below freezing conditions may exist, special fluid must be used. Contact Presto-ECO A Lifts for further information when freezing conditions exist.

E. TESTING THE LIFT WITH NO LOAD

1. Before testing the lift, clear the area of any loose material. Be sure the lift has no obstruction above it or on any side.
2. Using the controls provided, briefly operate the lift (5-10 seconds). If the lift begins to rise with a humming sound and functions properly, continue to the full upright position.

NOTICE

If the lift does not rise immediately, or there is any operational problem, stop it immediately. Before continuing, check the rotation of the pump and motor and the

voltage at motor terminals; again briefly operate the lift. If the lift does not move smoothly with a humming sound, stop and review the procedures in the section on troubleshooting (5B).

3. After raising the lift completely, lower the lift. It should move slowly and smoothly with a humming sound. If the lift operates properly, raise and lower the lift and stop at different levels to get a good perspective on the lift's operations and movements.

SECTION 4 OPERATION

A. METHOD OF OPERATION

All Double Scissor Lifts are provided with a special relief valve and are factory preset for the maximum safe capacity of the lift. Activating and holding the up switch will energize the motor. The motor is attached to a positive displacement pump, that draws hydraulic fluid from the reservoir and transfers it under pressure to the cylinder. This forces the piston forward and the scissor legs to separate and raise the platform, releasing the up button will stop the lift. A check valve between the pump and piston holds the table in position. Depressing and holding the down switch will energize a solenoid, that allows the oil from the cylinder to return to the reservoir through a preset flow control. This allows the lift to lower smoothly and at a controlled speed.

NOTICE

Do not attempt to change the setting on the pressure relief valve. Do not maintain the up or down button energized if the lift fails to move or after it has reached its up or down limits. This will cause damage to the pump and controls.

B. OPERATING INSTRUCTIONS

In order to operate the lift follow these operating procedures.

Read and understand all the instructions before operating. If the lift has modifications or accessories, read and understand their functions.

1). Load the lift correctly.

Portable lifts: Place the load on the center of the table top.

The load center of gravity must be within 6" of the lift table top center and equally distributed over 80% of the table.

Stationary lifts: Place the load on the center of the table

top. The load center of gravity must be within 8' of the lift table top and equally distributed over 80% of the table. If the load is unstable or may become unstable, fasten it into position.

2). Operate the lift.

a) To raise the lift, press and hold the up button.

b) To lower the lift, press and hold the down button.

c) Release the button to stop the lift.

3). Wait until the lift has come to a complete stop before unloading the lift.

4). Stand clear of lift when operating it in order to avoid injury.

WARNING

a). Do not stand, sit or climb onto the lift.

b). Do not load or unload a moving lift.

c). If the lift fails to move or exhibits strange movements or sound, stop immediately. Do not operate the lift until it has been checked and repaired.

d). Read, understand and obey all warning labels.

e). Do not exceed maximum rated load.

f). Maintain load, center of gravity, within 6" of the center of the portable lift and 8" for stationary lifts.

SECTION 5

MAINTENANCE

Generally, the Double Series Scissor Lifts require very little maintenance. Reasonable care will result in excellent trouble-free performance.

⚠️ WARNING

Never go under or service lift with a load on the table or with the scissor mechanism unblocked. Always service the lift in a down position.

All servicing should be done by qualified personnel. Qualified personnel should be able to read and understand wiring and hydraulic diagrams. They should be able to troubleshoot live electrical circuits safely and in accordance with accepted practice. **For safety's sake**, if in doubt, please contact your dealer or Presto-ECO Customer Service Department at (800) 343-9322. Before servicing the lift, read and understand this entire section and the section entitled "Operating Instructions."

Hazards

There are several hazards you should be aware of as you service the lift:

⚠️ DANGER

The lift may use a power supply of up to 575 Volts AC. This voltage can kill. Do not work with the electrical parts unless you are a qualified electrician!

⚠️ WARNING

- As the lift moves up and down, "pinch points" are formed as shown in Figure 2. Keep hands, feet, and loose clothing away from these pinch points. If your hand or arm or a part of your clothing is caught, you may be hurt.

- A falling lift can cause severe personal injury. Before working under the lift remove any load from the platform, raise the lift and insert the maintenance devices, as shown in Figure 1. Do this every time you work under the lift!

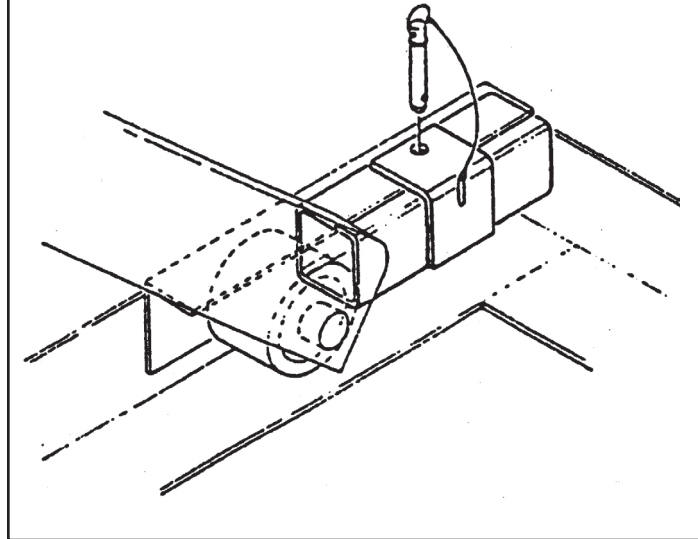
⚠️ WARNING

Release of fluids under high pressure can cause personal injury. Before you open any part of the hydraulic system, be sure to release the hydraulic pressure.

⚠️ CAUTION

- The warning labels on the lift are there for the safety of the operators. If the labels are worn or missing,

FIGURE 1: MAINTENANCE CHOCK



or have been painted over, replace them before releasing the lift for operation.

⚠️ WARNING

If you are going to repair the center pivot pins and bushings, you must support the lift table in a special way. Each set of leg plates, on both sides of the unit, must be clamped together firmly, using large C-clamps. You cannot use the maintenance devices shown in Figure 1 – with the pivot pins removed, they will not support the table top. If you do not support the lift table correctly, the top may drop suddenly when you remove the pivot pins. Please contact Presto-ECO for instructions.

NOTICE

It is important to use hydraulic fluid with the correct grade and properties. See the hydraulic oil specification in this manual, Table 1.

⚠️ WARNING

If a hydraulic fitting becomes loose, or if a hydraulic hose breaks, the hydraulic fluid may escape from the system under pressure. If the lift is raised when this happens, it can drop quickly. Someone may be hurt, or the lift or load may be damaged.

NOTICE

If you continue to use fluid after it has "worn out," the moving parts in the system will wear more quickly.

If the lift will not raise:

NOTICE

Do not continue to hold the “up” button for more than 2 or 3 seconds. You may damage the pump.

WARNING

Do not change the relief valve setting. This valve has been included for the protection of workers who install, use, or service the lift. If it is ever necessary to repair or reset the valve, contact Presto/ECO A for instructions.

WARNING

It maybe necessary to electrically by-pass the up limit switch to place the lift on the chocks. Ensure that doing so will not operate the switch beyond its arms physical limits. This needs to be done by qualified maintenance personnel. If electrical by-pass is not possible the up limit switch needs to be moved in order to place the unit on the maintenance devices, then the lift platform and legs will need to be supported before working on the switch, support the top and leg sets with a crane, fork truck or blocking from the floor to table top. Ensure switch is properly

reinstalled any electrical by-pass is removed before operating the lift. Any final adjustment of limit switch needs to occur with the legset and platform supported while working under the lift. If you do by-pass or remove the switch, when the lift platform moves up, it may not stop at the correct point. If the platform rises above the normal stopping point, the frame of the unit may be damaged. People working nearby may be hurt.

NOTICE

If cavitation is allowed to continue, the pump may be damaged, and may have to be replaced.

If the lift elevates, but fails to hold a load:

WARNING

Failure to insert the maintenance devices may result in damage to the lift and severe personal injury!

If the lift fails to lower:

WARNING

Failure to insert the maintenance devices may result in damage to the lift and severe personal injury!

DANGER

Do not try to adjust the flow control while pressing the “down” button. If you try this, the lift table may drop suddenly, and you may be hurt.

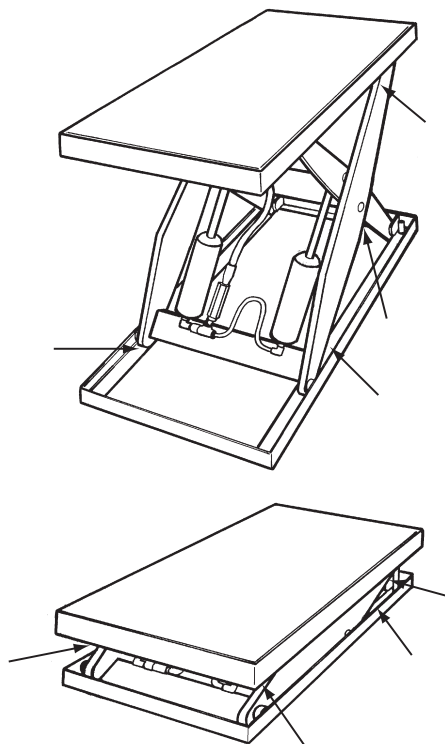


FIGURE 2:
Pinch Points for Typical Scissor Lift.

ROUTINE PERIODIC MAINTENANCE

Suggested Preventative Maintenance Schedule (ensure that lift is properly chocked as required).

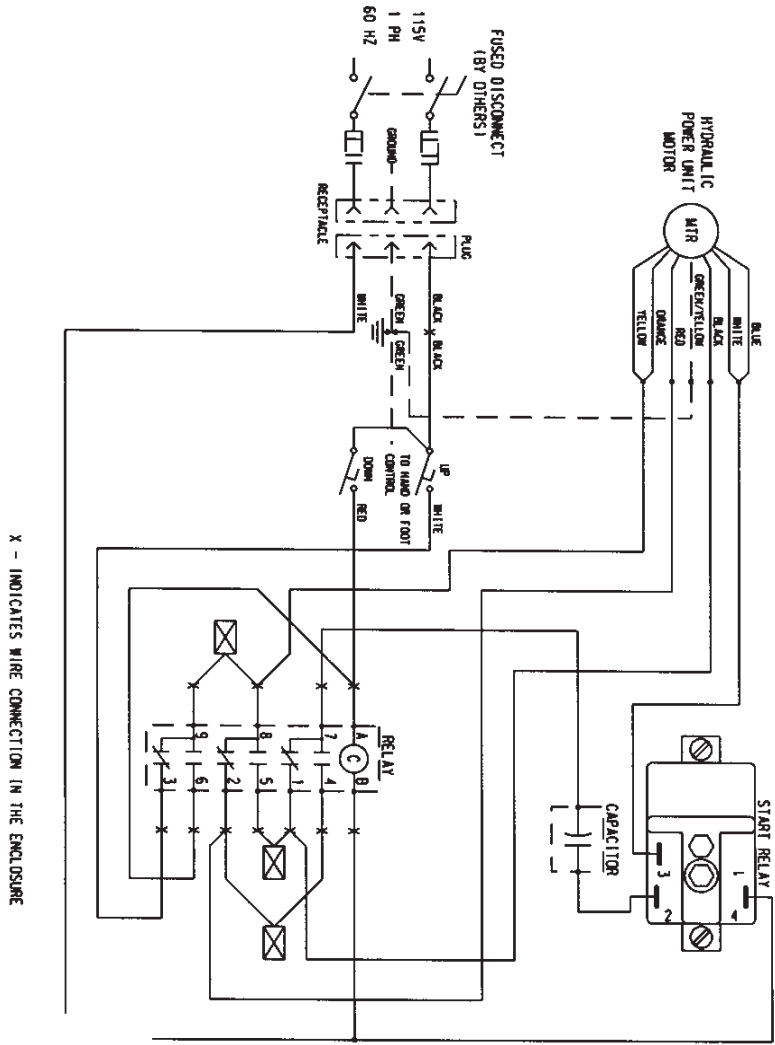
Weekly	Inspect leg rollers, center pivot pins and bushings, leg hinge pins and bushings for evidence of wear. loose bolts or broken cotter pins or keepers. Repair or replace as required.
Monthly	Apply a light oil or PTFE lubricant to non-greased pivot points or rollers described above.
	Check the appearance of the hydraulic fluid.
	Check all the hydraulic fittings and hoses.
Every 6 months or 500 hours of operation	Make all weekly checks, check limit switch if applicable.
	Check all the hydraulic fittings and hoses, and repair the connections.
	Inspect cylinder return line and rod. Appearance of considerable fluid in the vent lines indicates a need to repack the cylinder.
	Disassemble the down valve. Blow the plunger clean with compressed air. Re-assemble and install.
	Change oil in reservoir, clean the suction screen and vent cap. Replace pressure line or return line filter element.
	Make all weekly, and monthly checks, check all electrical connections..
Minimum Required Maintenance for Units with High Cycle Package	NOTE: If bushings at the main pivot points are neglected and allowed to oblong, major structural problems will develop and extensive repairs will be needed.
	Every 10,000 cycles, visually inspect the entire lift. Replace all worn or broken parts. Lubricate all pivot points and clean the roller track.
	Every 30,000 cycles, visually inspect the entire lift. Check the motor starter contacts and limitswitches. Clean and lubricate all pivot points. Inspect for worn or broken parts, and replace as necessary.
	Every 90,000 cycles, visually inspect the entire lift. Check the hydraulic tank and the hydraulic lines. Clean and lubricate all pivot points. Inspect for worn or broken parts, and replace as necessary. Repack the cylinder(s), and replace the hydraulic oil and filter.
NOTE: If lubrication points will not take grease, ensure that the load has been removed from the platform, and ensure the grease fittings are not plugged and will take grease, or the weight of the lift may need to be removed from the greaseable joint. A fork truck or overhead crane may be necessary to remove any weight off of the greaseable joints. Contact Presto-ECO Service Department for further instructions if the machine is still unable to accept grease.	

TROUBLESHOOTING

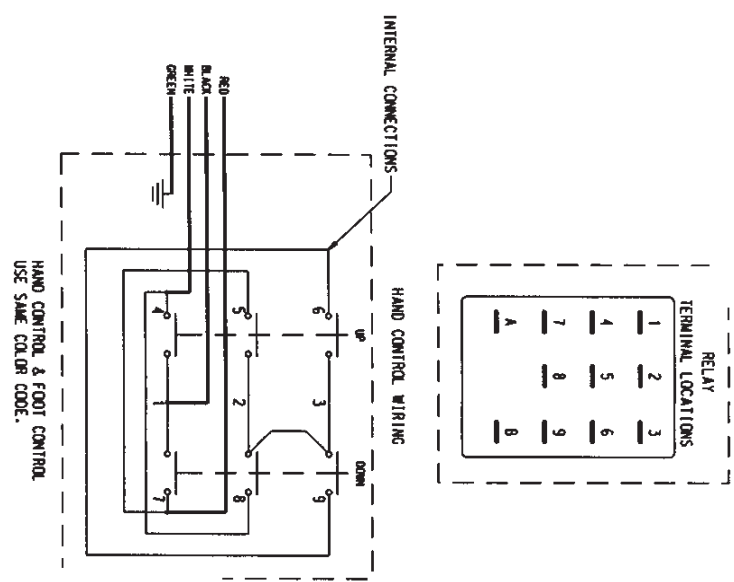
PROBLEM	POSSIBLE CAUSE	CHECK THIS
Lift will not raise	Weight of load too heavy	Check the actual weight of the load
	Motor not running	Check the main disconnect switch, fuses, and wiring to the motor. A 20 amp, designated braker must be supplied for 115 single phase.
	Motor running but not moving (three phase)	Swap any two phases
	Hydraulic oil level low	When lift is raised as far as possible, oil level should be 3/4" from bottom of tank. When lift is down, 3/4" from top. Ensure chocks on lift before working under it.
	Lift has reached its upper limit	Upper limit switch may need to be adjusted
	Motor may be "single phasing"	If motor hums but does not turn, check motor wiring and line fuses.
	Motor voltage too low	Supply voltage should be +/- 5% of the rating a or single phase and 10% for 3 phase units.
	Tank vent plugged	If supplied, remove solid plug from tank, insert vent plug.
	Suction strainer clogged	Clean suction filter as described in periodic maintenance
	Vacuum leak in suction line	Check all fittings in suction line
	Down valve may be energized	Check wiring to down valve, and solenoid in the valve
	Missing coupling	Check to insure the coupling has been installed between the pump and motor as required by pump, see figure 15.
The lift fails to hold	Down valve may be leaking	Remove down valve and inspect for debris which may be preventing it from closing.
	Down valve may be energized	Check the solenoid in the valve with a volt meter.
	Cylinder may be leaking	Check for oil in cylinder in the vent line.
Lift will not lower	Down valve may be de-energized	Check the solenoid in the valve with a volt meter
	Flow control needs adjustment	Adjust flow control as needed
Lift raises too slowly	Voltage may be low	Check voltage at motor to ensure proper voltage is being supplied
	Foreign material clogging suction filter, breather cap or pressure line	Remove necessary components and clean
	Pump may be overheating due to insufficient oil	Check oil level and oil viscosity
Lift lowers too slowly	Down valve may not be fully open or stuck closed	Remove down valve and clean
	Flow control may need adjustment	Adjust flow control as needed

If the steps listed above do not solve the problem, please call the Presto-ECO Customer Service Department.

FIGURE 3: ELECTRICAL DIAGRAM 115 AC



X - INDICATES WIRE CONNECTION IN THE ENCLOSURE



HAND CONTROL & FOOT CONTROL USE SAME COLOR CODE.

FIGURE 4: DXS COMPONENTS DIAGRAM

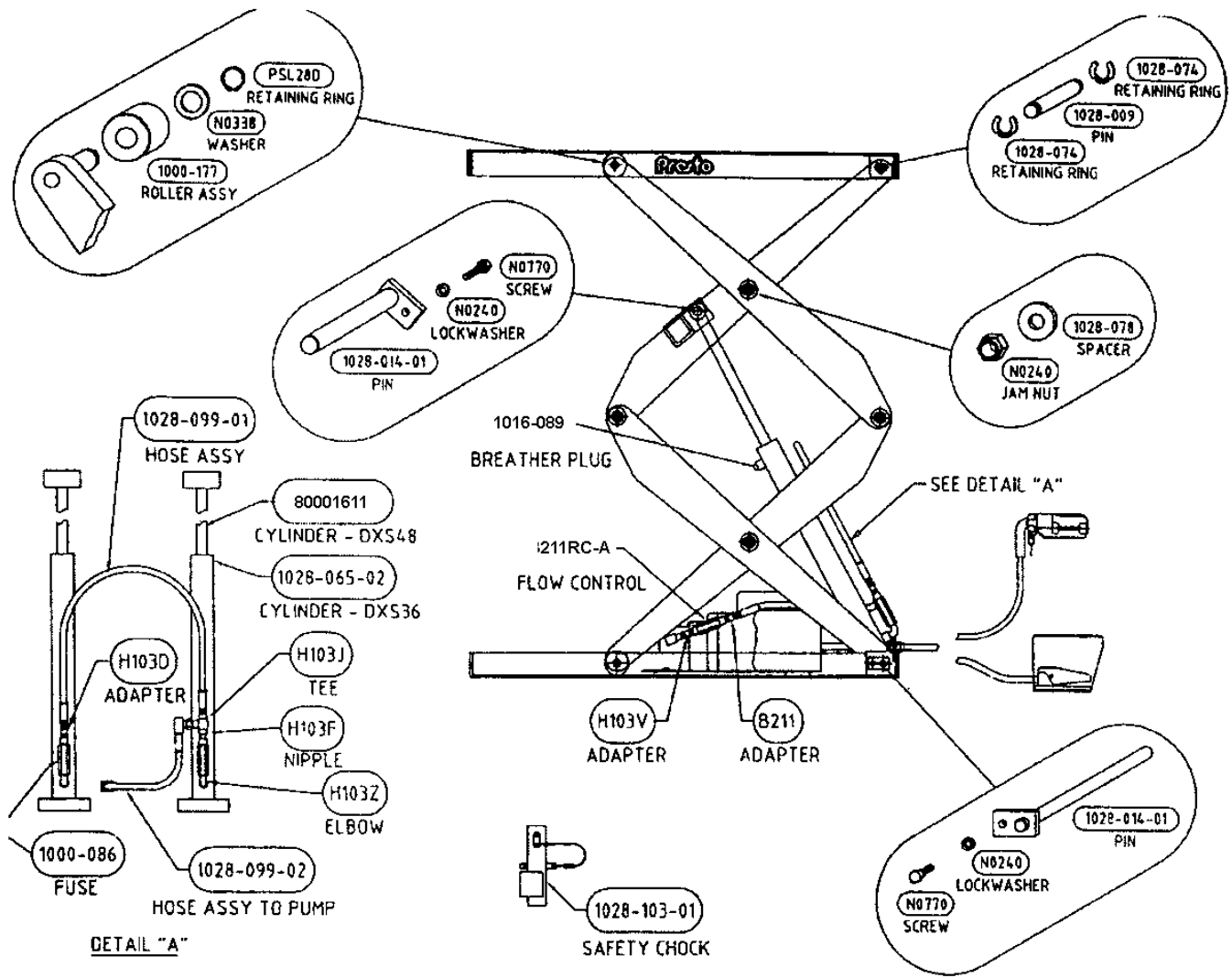


FIGURE 5: DXS POWER UNIT COMPONENTS

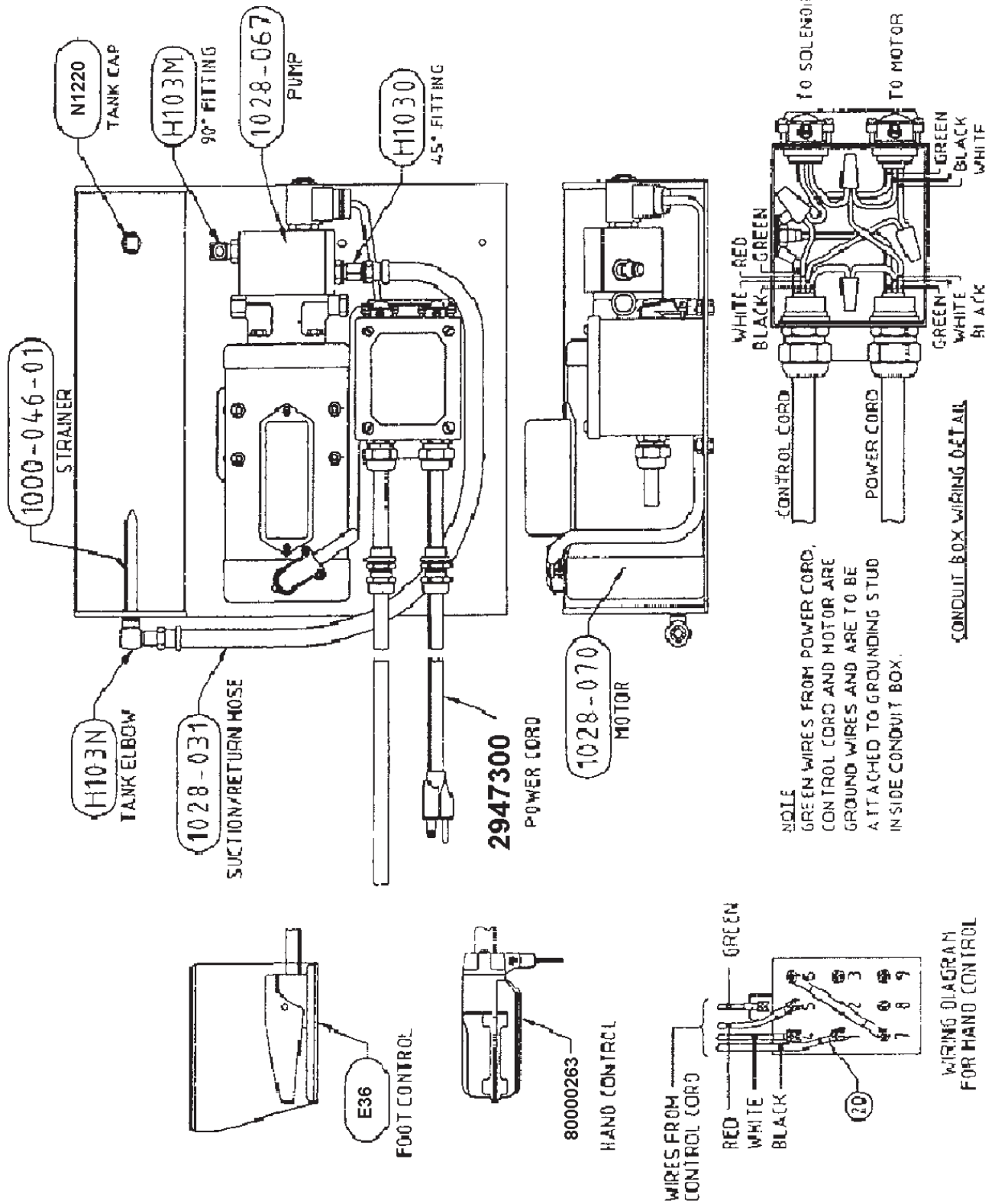


FIGURE 6: HYDRAULIC SCHEMATIC (ALL MODELS)

BI-DIRECTIONAL PUMPS

These pumps are driven by reversible motors and are primarily used to power double-acting cylinders in both directions. Locking checks that hold the load in either direction are standard.

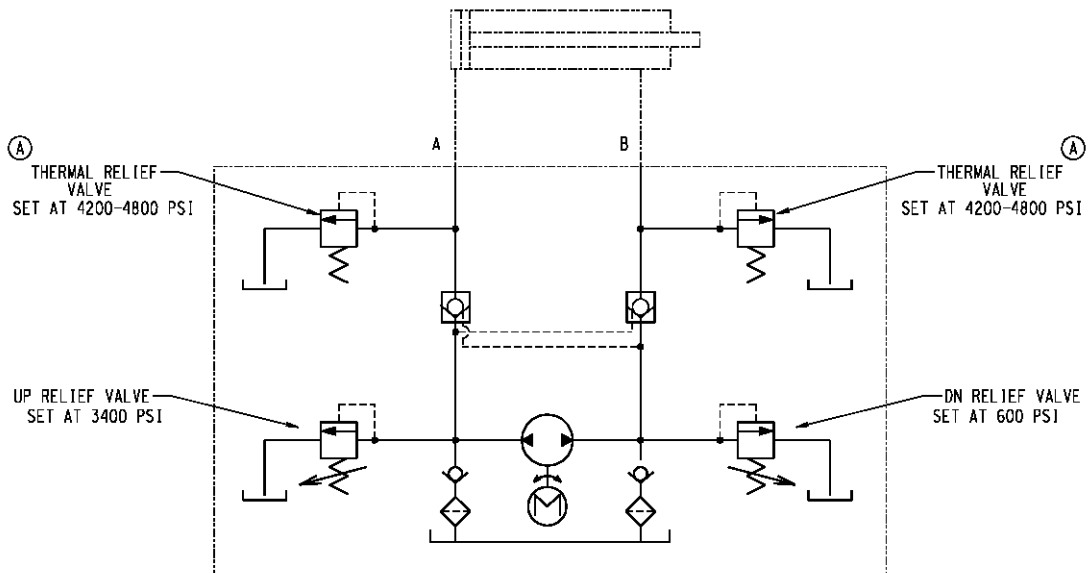


Table 1 – Hydraulic Oil Specifications

If the lift will be used at normal ambient temperatures, Presto-ECOALifts supplies the unit with Conoco Super Hydraulic 32 oil. This may be replaced by any other good quality oil with 150 SSU at 100° F and rust and oxidation inhibitors and anti-wear properties.

If the lift will be used at ambient temperatures below 0°F, use aircraft hydraulic oil. Use Type 15 aircraft hydraulic oil.

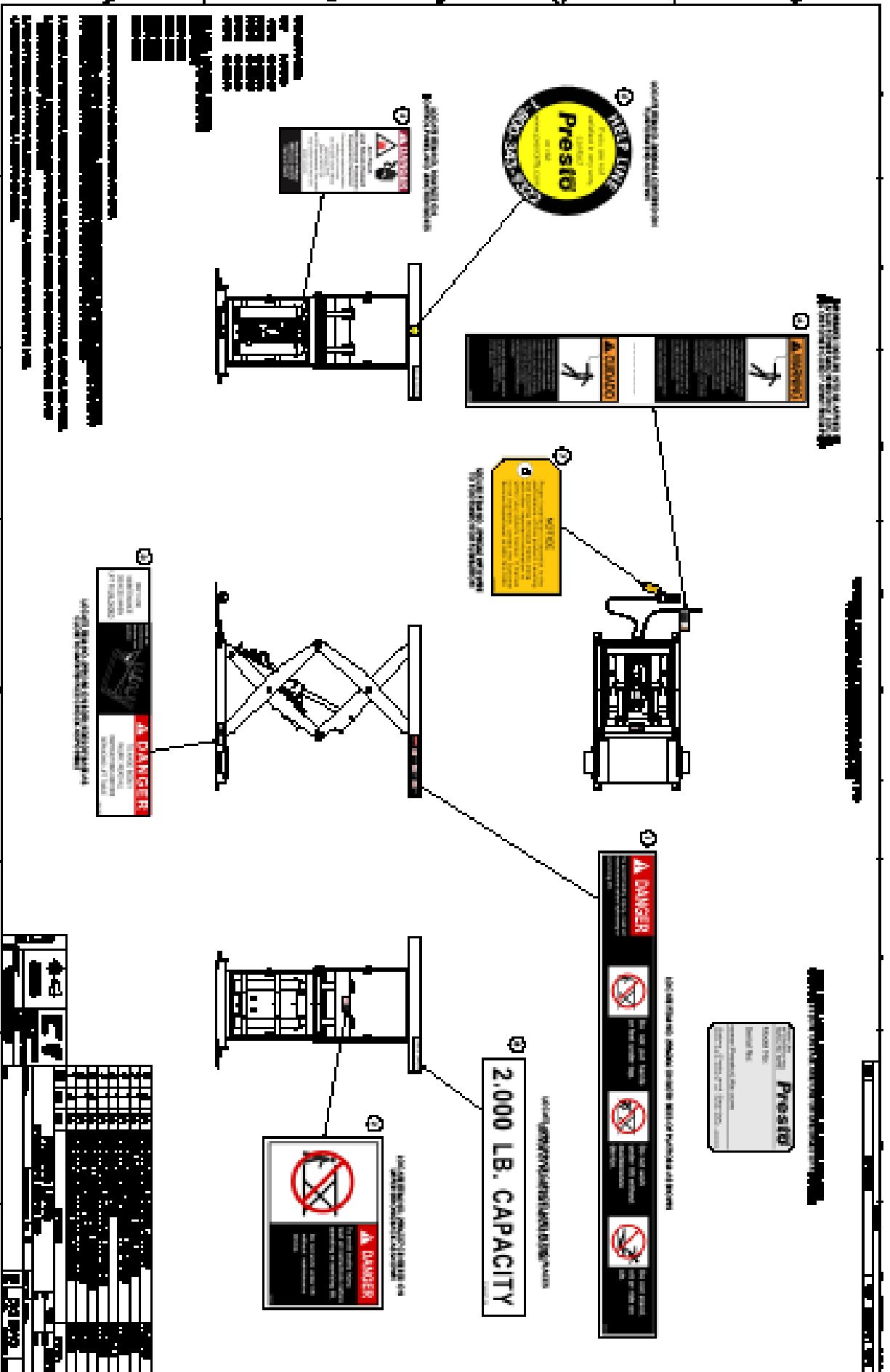
The following are equivalent to Conoco Super Hydraulic 32:

TYPE	MANUFACTURER
AW32	CITGO
DTE 24	EXXON/MOBIL
NUTO H32	EXXON/MOBIL
AMOCO AW32	CHEVRON (AMOCO CO.)

⚠ CAUTION

It is very important to keep the hydraulic oil free of dirt, dust, metal chips, water, and other contamination. Most of the problems with hydraulic systems are caused by contamination in the oil.

Figure 7: Labels and Locations



PARTS

Standard parts may be returned with a 20% restocking fee or \$35.00 net, whichever is greater. Modified or custom-engineered parts are not returnable. Unfortunately, due to potentially concealed damage, all sales of electrical assemblies are final.

QUALITY ISSUES

Should you feel there is a quality problem, please contact the seller to ask questions and gather information on how to rectify the issue. Presto-ECOALift reserves the right to determine potential credits, as a result of factory defects, based on its inspection of the merchandise.

GENERAL

All products shipped from our factory have passed Quality Assurance inspection and testing. The carrier of choice has signed for, and accepted the product in new working condition. The customer should inspect to ensure it is not received damaged, has no concealed damage or is not incomplete. Parts orders are determined to be complete based upon Presto-ECOALift inspection sheets and carrier shipping weights.

ORDERING REPLACEMENT PARTS

Presto-ECOALifts has carefully chosen the components in your unit to be the best available for the purpose. Replacement parts should be identical to the original equipment. Presto-ECOALifts will not be responsible for equipment failures resulting from the use of incorrect replacement parts or from unauthorized modifications to the unit.

Presto-ECOALifts can supply all replacement parts for your lift. With your order, please include the model number and the serial number of the unit. You can find these numbers on the name plate. This plate is located within the scissors mechanism.

To order replacement parts, please call the Presto-ECOALifts Parts Department. Parts are shipped subject to the following terms:

- FOB factory
- Returns only with the approval of our parts department.
- Credit cards preferred (except parts covered by warranty).
- Freight collect for truck (except parts covered by warranty).
- Freight – prepaid and invoice for small parcel shipments (except parts covered by warranty).
- The warranty for repair parts is 30 days from date of shipment.

Parts replaced under warranty are on a “charge-credit” basis. We will invoice you when we ship the replacement part, then credit you when you return the worn or damaged part, and we verify that it is covered by our warranty. Labor is not covered under warranty for Parts orders.

Note: Part orders are subject to a \$50 minimum charge.

Presto-ECOALifts Parts Department

50 Commerce Way, Norton, MA 02766

Telephone: 800-343-9322

FAX: 888-788-6496

Email: service@PrestoLifts.com

www.PrestoLifts.com

www.ECOALifts.com

Presto-ECO A Lifts

Limited Warranty Policy

Presto-ECO A Lifts warrants all of its products against defects in the welded structural frame and, if applicable, scissor legs from faulty material and workmanship for a period of five years from the date of invoice.

All other components have a limited warranty against defects in faulty material and workmanship for a two year period from the date of invoice and 30 day limited warranty on labor. Please note that prior authorization from Presto-ECO A Lifts is required on all warranty work.

There are no implied warranties of any kind, more specifically, there are no warranties of merchantability or fitness for any particular purpose. Presto-ECO A Lifts' sole warranty shall be as set forth in this limited warranty.

Presto-ECO A Lifts will elect to repair or replace a defective component without charge, if any components should become defective within the limited warranty period. Proof of purchase is required for warranty. The charge for shipping the defective component is the responsibility of the buyer and must be accompanied with an RMA number. The shipping charge to return the component to the buyer is the responsibility of Presto-ECO A Lifts.

This limited warranty does not cover labor expense for removal or reinstallation of components after thirty days. This limited warranty shall not cover, among other things: damages resulting from foreign matter or water, failure to provide reasonable and necessary maintenance, and if applicable, use of product while charger is plugged into an AC outlet, or failure to follow operating instructions. The limited warranty is not valid for damage resulting from negligence, accident, unreasonable use, abuse or misuse, exceeding data plate capacities or altering the product without Presto-ECO A Lifts authorization.

Presto-ECO A Lifts expressly disclaims and excludes any liability for consequential, incidental, indirect or punitive damages or financial loss to people or property resulting from any breach of warranty or the operation or failure of this product.

Presto-ECO A Lifts makes no representation that this product complies with local, state, or federal safety/product standards codes. Should this product fail to comply in any way with those codes, it shall not be considered a defect of materials or workmanship. Presto-ECO A Lifts shall not be held liable for any damages resulting from noncompliance. It is the dealer's responsibility to exercise this limited warranty. This limited warranty is provided to the original purchaser (defined as the original end user) and is nontransferable. This constitutes the complete and final agreement involving Presto-ECO A Lifts limited warranty obligations for products.