

Electric Pallet Truck PPJ4500



Installation, Operation and Service Manual

Model Number _____

Serial # _____

Date Placed in Service _____

**IMPORTANT: READ CAREFULLY
BEFORE INSTALLING OR OPERATING LIFT**

Part orders are subject to a \$50 minimum charge.



Presto Lifts Limited

Electric Pallet Truck Warranty Policy

Presto Lifts warrants the Electric Pallet Truck against defects on the pumps, DC motors, controllers, cylinders and wiring harnesses from faulty material and workmanship for a period of one (1) year from the date of invoice.

All wear items such as batteries, wheels, motor brushes, seals, bearings, hydraulic hoses, all switches, battery chargers, bushings, pins, pivot blocks and lifting rods have a limited warranty against defects in faulty material and workmanship for a ninety (90) day period from the date of invoice and 30 day limited warranty on labor. Please note that prior authorization from Presto Lifts is required on all warranty work.

There are no implied warranties of any kind, more specifically; there are no warranties of merchantability or fitness for any particular purpose. Presto Lifts' sole warranty shall be as set forth in this limited warranty. Presto Lifts will elect to repair or replace a defective component without charge, if any components should become defective within the limited warranty period. Proof of purchase is required for warranty. The charge for shipping the defective component is the responsibility of the buyer and must be accompanied with an RGA number. The shipping charge to return the component to the buyer is the responsibility of Presto Lifts, Inc.

This limited warranty does not cover labor expense for removal or reinstallation of components after thirty days. This limited warranty shall not cover, among other things: damages resulting from foreign matter or water, failure to provide reasonable and necessary maintenance, and if applicable, use of product while charger is plugged into an AC outlet, or failure to follow operating instructions. The limited warranty is not valid for damage resulting from negligence, accident, unreasonable use, abuse or misuse, exceeding data plate capacities or altering the product without Presto Lifts authorization.

Presto Lifts expressly disclaims and excludes any liability for consequential, incidental, indirect or punitive damages or financial loss to people or property resulting from any breach of warranty or the operation or failure of this product.

Presto Lifts makes no representation that this product complies with local, state, or federal safety/product standards codes. Should this product fail to comply in any way with those codes, it shall not be considered a defect of materials or workmanship. Presto Lifts shall not be held liable for any damages resulting from noncompliance. It is the dealer's responsibility to exercise this limited warranty. This limited warranty is provided to the original purchaser (defined as the original end user) and is nontransferable. This constitutes the complete and final agreement involving Presto Lifts and limited warranty obligations for products.

This manual was current at the time of printing. To obtain the latest, most updated version, please contact the Customer Service Department or go to our website: www.PrestoLifts.com -- you will find a complete list of current Owner's Manuals to print.

TABLE OF CONTENTS

SECTION 1:	
Limited Warranty	2
Introduction	4
Responsibility of Owners and Users	5
SECTION 2:	
Safety	6
SECTION 3:	
Installation	8
A. Inspection	8
B. Removing from Pallet	8
C. Preparation for Use	8
SECTION 4:	
Operation	9
A. Operating Instructions.....	9
SECTION 5:	
Battery Maintenance	11
A. Preparing to Charge a Battery	11
B. Charging the battery	11
C. Warnings and Battery Information	11
D. Battery maintenance.....	11
E. Charger Operation	11
SECTION 6:	
Maintenance.....	12
Suggested Preventative Maintenance Schedule	12
SECTION 7:	
Troubleshooting.....	13
ORDERING REPLACEMENT PARTS.....	23
RESTOCKING POLICY.....	24

LIST OF FIGURES & TABLES :

Figure 1: Operational Buttons.....	9
Figure 2: Truck Body	14
Figure 3: Control Panel.....	16
Figure 4: Suspension Assembly	17
Figure 5: Drive Assembly.....	18
Figure 6: Control Pod	19
Figure 7: Hydraulic System	20
Figure 8: Power Unit.....	21
Figure 9: Electrical Diagram 24VDC - 1	22
Figure 10: Electrical Diagram 24VDC - 2	23
Figure 11: Label Location Diagram.....	24

SECTION 1

INTRODUCTION

This manual attempts to provide all of the information necessary for the safe and proper installation, operation and maintenance of Presto Lifts Inc. battery operated, Electric Pallet Truck. It is important that all personnel involved with the installation, maintenance or operator of the electric pallet truck read this manual. Additional manuals are available upon request or at www.Presto-Lifts.com.

Each Presto Electric Pallet Truck is equipped with nameplate, serial number and model identifications. Please refer to these numbers when ordering parts or requesting further information.

The Presto Electric Pallet Trucks are designed for lifting, lowering and positioning a wide variety of loads. WHERE UNIQUE SITUATIONS ARISE, WHICH ARE NOT COVERED IN THIS MANUAL, CALL PRESTO LIFTS FOR FURTHER INSTRUCTIONS.

The battery operated pallet trucks are designed for in-plant non-hazardous locations only. These units are not for personnel lifting.

Responsibility of Owners and Users

Inspection and Maintenance

The device shall be inspected and maintained in proper working order in accordance with Presto's owner's manual.

Removal from Service

Any device not in safe operating condition such as, but not limited to, excessive leakage, missing rollers, pins, or fasteners, any bent or cracked structural members, cut or frayed electric, hydraulic, or pneumatic lines, damaged or malfunctioning controls or safety devices, etc. shall be removed from service until it is repaired to the original manufacturer's standards.

Repairs

All repairs shall be made by qualified personnel in conformance with Presto's instructions.

Operators

Only trained personnel and authorized personnel shall be permitted to operate Electric Pallet Truck.

Before Operation

Before using the device, the operator shall have:

- Read and/or had explained, and understood, the manufacturer's operating instructions and safety rules.
- Inspected the device for proper operation and condition. Any suspect item shall be carefully examined and a determination made by a qualified person as to whether it constitutes a hazard. All items not in conformance with Presto's specification shall be corrected before further use of the Electric Pallet Truck.

During Operation

The device shall only be used in accordance with this owner's manual.

- Do not overload.
- Ensure that all safety devices are operational and in place.

Modifications or Alterations

Modifications or alterations to any Presto industrial positioning equipment shall be made only with written permission from Presto.

SECTION 2

SAFETY

You must be trained and certified to operate this powered electric pallet truck. Federal law states that only properly trained operators are permitted to operate a powered industrial electric pallet truck and that your employer must train you and certify that you are qualified. (OSHA 1910.178 29QFR-7-1-06 Edition)

Presto lifts does not offer operator training. Operator training programs may be offered by your local Presto Lifts dealer or obtained online. Enter, "powered industrial truck operator training" into a search engine.

SAFETY ALERT SYMBOLS AND SIGNAL WORDS

The safety of all persons operating, maintaining, repairing, or in the vicinity of this equipment is of paramount concern. This is a powerful machine with moving parts, and is capable of causing personal injury if proper precautions are not taken. Therefore, throughout this manual, certain hazards have been identified which may occur in the use of the machine, and there are appropriate instructions or precautions which should be taken to avoid these hazards. In some cases, there are consequences which may occur if instructions or precautions are not followed. Below are the symbols and signal words along with their definitions referenced from ANSI Z535.4 - Product Safety Signs and Labels.

Safety Alert Symbols

These are the safety alert symbols.. They are used to alert you to potential physical injury hazards. Obey all safety messages that follow this symbol to avoid possible injury or death.



For use with DANGER signal word
(Red Background)



For use with WARNING signal word
(Orange Background)



For use with CAUTION signal word
(Yellow Background)

Signal Words

The meaning of different signal words as defined by ANSI Standard Z535.4 indicates the relative seriousness of the hazardous situation.



(Red Background)

DANGER indicates a hazardous situation which, if not avoided, will result in death or serious injury.



(Orange Background)

WARNING indicates a hazardous situation which, if not avoided, could result in death or serious injury.



(Yellow Background)

CAUTION, used with the safety alert symbol, indicates a hazardous situation which, if not avoided, could result in minor or moderate injury.



(Blue Background)

NOTICE is used to address practices not related to personal injury.



(Green Background)

SAFETY INSTRUCTIONS (or equivalent) signs indicate safety-related instructions or procedures.

The battery operated electric pallet trucks are very powerful lifts capable of doing large amounts of work.

DO NOT OPERATE THESE LIFTS WITHOUT CAREFULLY READING THIS MANUAL. In order to provide for the safe operation of these electric pallet trucks, Presto Lifts Inc. has identified certain hazards that may occur during the maintenance and use of these lifts. For safety reasons these units are designed to be serviced or repaired in the fully lowered position. If performed properly, this will greatly reduce the possibility of injury.

⚠ WARNING

When servicing the unit:

1. Key should be in "OFF" position.
2. E-stop should be depressed.
3. Disconnect the batteries at the terminals.
 - Do not perform any repair work on lifts if there is a load on the forks.
 - Do not perform any repair work if the forks are in the raised position.
 - All personnel must stand clear of the lift while in motion.
 - Do not put hands or feet under the forks
 - Do not stand underneath the forks
 - Do not stand in front of the electric pallet truck while in motion.
 - Do not stand, sit or climb on the lift.
 - Do not use the lift on soft, uneven or unstable surfaces.
 - Do not exceed the load center or capacity.

⚠ WARNING

You or others around you can be seriously injured or even killed if you don't use this electric pallet truck correctly. Read and obey all warnings and instructions in this manual and on the electric pallet truck. It is your responsibility before starting work to make sure it is in good working order.

Always be alert to the area around you and watch where you are walking. Be careful that you don't get pinned or crushed between the electric pallet truck and a fixed object such as a wall or post.

- Watch your hands and feet. A foot or hand caught between the electric pallet truck and a fixed object will be crushed or even cut off.

- If traveling forks first, keep both hands on the control handle and be careful when changing direction of travel. Keep your feet clear of the electric pallet truck.
- Keep the electric pallet truck under control at all times. Operate at a speed that allows you to stop safely. Be even more careful on slippery or uneven surfaces. Do not run over objects on the floor.
- Perform all electric pallet truck movements smoothly and at a speed that will give you time to react if an emergency occurs.

Tipovers and falls are very serious accidents; you can be crushed or even killed. To prevent injury, know where you are at all times and follow the rules of safe electric pallet truck operation.

- Be careful when working around docks, dockboards and trailers. Stay away from the edge of docks and ramps. Check to make sure the wheels of truck or trailers are chocked.
- Travel with the load or forks close to the ground. Perform all electric pallet truck movements smoothly and at a speed that will give you time to react in an emergency.
- Keep your hands and feet away from all moving parts such as forks or wheels.
- Never stand on or under the forks, or allow anyone else to stand on or under them. Never ride on the electric pallet truck or allow anyone else to ride. There is no safe place to sit or stand.
- Before you leave your electric pallet truck, be sure to lower the forks to the floor. Shut the electric pallet truck off with the key.

⚠ WARNING

- DO NOT** use this electric pallet truck until you have been trained and authorized to do so.
- DO NOT** operate until you have read all warnings and instructions.
- DO NOT** exceed load center or load weight capacities (check capacity plate).
- DO NOT** operate until you have checked the conditions of the electric pallet truck: lift systems and forks.
- DO NOT** use if any part is damaged, worn or not working properly.
- DO NOT** use on ramps or inclines. Only smooth level surfaces.
- DO NOT** use for lifting or carrying people.

DO NOT handle unbalanced, unstable or loosely stacked loads.

DO NOT handle tall, unsecured or unstable loads that could fall.

DO NOT operate when parts of anyone's body may be close to any moving parts.

DO NOT drop loads on forks.

DO NOT alter or modify this electric pallet truck in any way.

SECTION 3 **INSTALLATION**

A. INSPECTION:

Upon receipt of the electric pallet truck, inspect the equipment completely to determine if there is any shipping damage, and that the lift is complete. Presto tests and inspects every piece of equipment prior to shipment. If damage is apparent, a freight claim must be filed with the freight company. Do not use the electric pallet truck if there appears to be any damage. With the electric pallet truck in a lowered position, check the following:

- Check for signs of damage especially to the back cabinet that houses the battery, electrical/hydraulic power pack.
- Check all electrical and hydraulic connections for tightness.
- Remove back panel.
- Inspect for any bent or damaged parts.

B. REMOVING FROM PALLET

Each of the Presto electric pallet trucks is shipped out on a pallet or skid. Prior to removing the unit from the pallet or skid, remove all tie down straps and packaging. Visually inspect the unit as closely as possible.

With an overhead hoist or forklift, carefully pick up the unit taking into consideration the center of gravity of the unit. If you choose to pick the unit with an overhead hoist, use a nylon sling and hoist with a minimum of 2,000-lb. capacity. The nylon sling will not do any damage to the steel construction of electric pallet truck. Pick the unit up. Be careful of the electric pallet truck swinging once fully lifted off the pallet or skid. Have all personnel completely cleared from the area.

Pick the unit up approximately six inches above the pallet or skid. Once raised, remove the pallet or skid from below the lift. Do not move the lift around in the air. Lower the electric pallet truck on the ground.

C. PREPARATION FOR USE

• As a trained and authorized operator, it is your responsibility to use this equipment safely. The first step towards safe use is conducting a pre-operational inspection.

• Before use, take a good look all around the vehicle. Remove any items that may have been left on the pallet truck, such as tools, drinks or other debris.

• During the inspection, look for any fluid leaks, cracked or broken parts or anything that looks out of place. Pay special attention to the wheels, tires and forks.

• Make sure that the load back rest extension and other safety devices are attached and in good working condition. This includes all warning labels, which must be in place and legible.

• Test all control functions for proper operation. Raise and lower the forks, test the forward and reverse controls, the horn as well as the various braking controls and the emergency reverse button located on the control pod.

• During the pre-operational inspection, verify the presence of the vehicle's data plate and make sure it is legible. The data plate provides important information, such as the make and model of the vehicle and its maximum capacity.

• Other information specific to your make and model of pallet truck can be found in the operator's manual, which must remain with the vehicle at all times.

• If your inspection reveals any problem or defect with the truck, do not use it. Mark the vehicle out of service and report the situation to your supervisor.

SECTION 4

OPERATION

A. OPERATING INSTRUCTIONS:

To Raise and Lower:

There are two buttons located on both sides of the handle. The inside one is for lowering the forks. The outside one is for raising the forks. When operating, always make sure the load being lifted is within the loading capacity of your electric pallet truck and the load has been stacked safely on the pallet. Also, make sure that the length of the forks corresponds to the length of the pallet. In this way, the load rollers will place themselves in the opening at the end of the pallet, so that when you raise the forks, you will not break the bottom boards of the pallet. Always make sure that when entering the pallet that the forks are in the fully lowered position. Be careful when lifting pallets that are too short or too long for the electric pallet truck. It might destroy your pallet by breaking the bottom boards, and if the forks project through the end of the pallet, the tips of fork may go into the next pallet that is behind the pallet that you are lifting, which may bend the tips of forks and overload the capacity of the electric pallet truck.

Travel Function:

To travel, rotate the butterfly controls throttle on the upper part of the handle. When rotating the butterfly

control towards the forks, the electric pallet truck runs forwards in the forks first direction. When rotating the butterfly towards the operator, the electric pallet truck runs in the reverse direction. Always make sure the electric pallet truck clears any obstruction when traveling, and that your path of travel is clear of people. Never carry loads above the loading capacity of the electric pallet truck. It is suggested that when traveling without a load, the forks be in the lowered position. The speed of the electric pallet truck is increased by the degree of the rotation in either direction; it functions like a throttle. When you release your hand from the butterfly control, it automatically will resume to the neutral position and the speed of the electric pallet truck will slow down, and come to a stop.

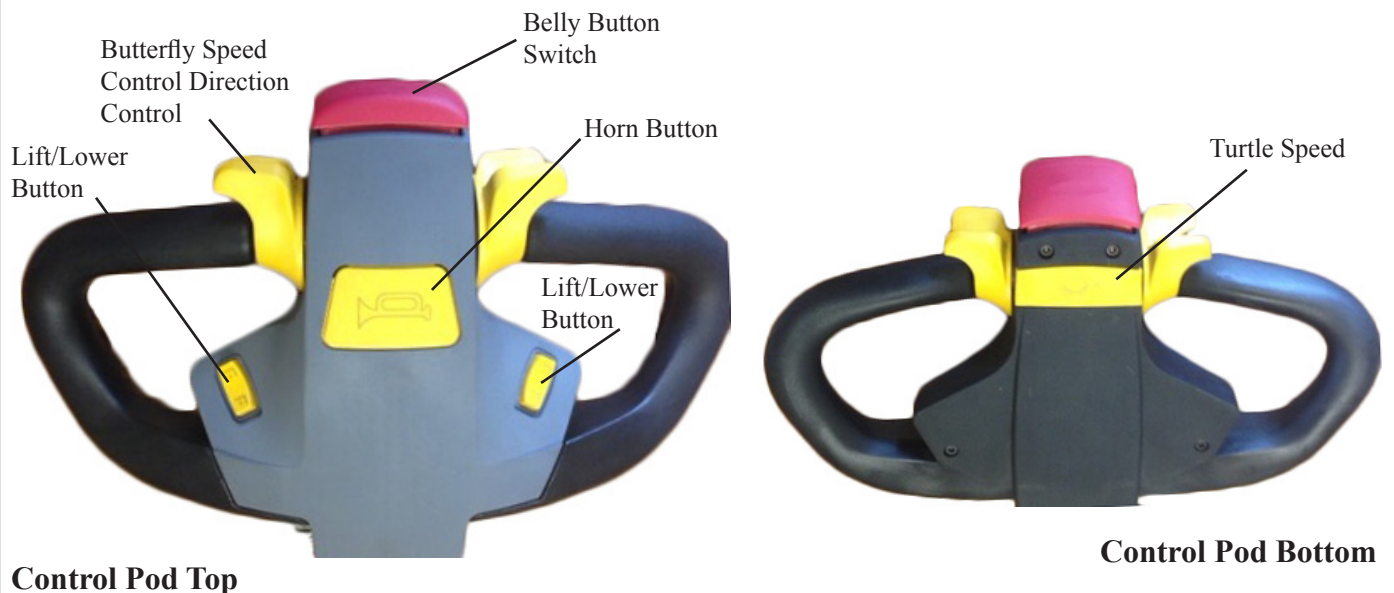
Turtle Speed Travel:

When the butterfly control is engaged forward (toward the forks) or reverse (toward the operator if the operator simultaneously engages the turtle speed button the forward and/or reverse speed is limited to 50% of full speed or turtle speed.

The operator can engage the butterfly forward with the right hand and engage the turtle speed button with the left hand.

The operator can engage the butterfly forward with the left hand and engage the turtle speed button with the right hand.

Figure 1: Operational buttons



The reverse operation is also controlled with either hand.

The turtle speed is maintained only when the turtle speed button is engaged. When the turtle speed button is not engaged the unit will operate at full speed. The turtle speed button is a maintained contact operation.

Electric Brake:

Your electric pallet truck is equipped with an electric magnetic brake. The brake is applied when the handle is in its vertical position between 10 – 15 degrees and lowered position between 80 – 90 degrees. The brake could be released when you pull down the handle at any point between 15 – 80 degrees. Always make sure the brake is released before operating the electric pallet truck. When the electric pallet truck is running, you could brake the electric pallet truck by raising the handle to its vertical position or lowering the handle to its lowest position. Or, to turn the butterfly controls in the opposite direction, the change in direction of the motor will slow down, stop, and reverse the direction of electric pallet truck. **When parked**, the handle will spring back to the full vertical position with the brake applied and the forks in lowered position.

Reversing Safety Switch:

At the end of the handle there is a large, red reversing bar (belly button switch) that is designed to protect the operator from injury. When the operator runs the electric pallet truck backwards, and the end of the handle comes in contact with the operator's body, the electric pallet truck will automatically reverse direction and travel away from the operator. When the reversing safety switch comes in contact with your body during operation, immediately release your hands from the butterfly control and put the handle up to its vertical position or down to its lowest position and the brake is on. The reversing safety switch will automatically resume to its original position after being activated.

Horn:

As standard equipment, a horn that is located on the top of the handle.

**AUTHORIZED OPERATORS SHOULD READ
AND UNDERSTAND ALL INSTRUCTIONS,
PRECAUTIONS AND WARNINGS.
IMPROPER USE OF THIS LIFT TRUCK**

SECTION 5

BATTERY MAINTENANCE

A. PREPARING TO CHARGE A BATTERY


1. Always turn off E-stop and key switch before working with the batteries.
2. Be sure the area around the electric pallet truck and the battery is well ventilated while battery is being charged.
3. The battery terminals, connections and wiring connections should be clean and free of corrosion. When cleaning any of these components wear a face shield or other suitable protective eyewear.

B. BATTERY CHARGING

Charging must be performed with the charger that is provided with or prewired into the machine. During charging, the temperature in the battery must not exceed 120 F. Charging simultaneously with truck operation is not recommended. Plug the charger into a 115 volt outlet. Charge until the battery gauge indicator lights show fully charged (approximately 6-8 hours).

C. WARNINGS AND BATTERY INFORMATION

Avoid use of open flame near batteries. At temperatures around freezing point, battery capacity is reduced by 30%. The battery terminals, connections and wiring should be clean and free of corrosion. When cleaning any of these components, wear a face shield or other suitable protective eyewear. Read, understand, and follow all battery and battery manufacturer's specific precautions while working with and/or charging batteries.



VOLTAGE	
Approx. 12.7 V	Fully charged
Approx. 12.2 V	1/2 charged
Approx. 12.0 V	1/4 charged
Approx. 11.6 V	Discharged

D. BATTERY MAINTENANCE

To measure the voltage, use a digital voltmeter (DC) on the battery poles. The truck must not have been in use for the previous 30 minutes.



DANGER

Never alter the AC cord or plug provided. If it will not fit outlet, have proper outlet installed by a qualified electrician. Improper connection can result in a risk of an electric shock.

1. Disconnect the charger from the 115 volt wall outlet once the indicators read fully charged.

E. BATTERY CHARGER OPERATION

LED Instruction:

Red light on: Charge error (Voltage <11V)

Red flashing light: Battery reversed polarity

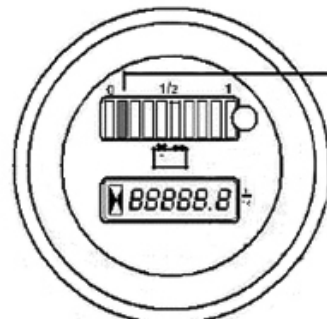
Yellow flashing light: No battery connected

Yellow light on: Normal charging

Green flashing light: 80% charged

Green light on: Fully charged

Battery Discharge Indicator (BDI) Operation



Here, second from left LED blinks indicating reserved power is above 70%

At this point we recommend charging the system

Two leftmost LEDs blinking indicate **EMPTY**

RECOMMEND charging the system BEFORE the BDI indicates EMPTY IN ORDER TO EXTEND BATTERY LIFE

SECTION 6

Suggested Preventative Maintenance Schedule

Daily	Check Battery Discharge Indicator (Fuel Gage and Hour Meter) – Be sure unit is showing proper charge level before operating.
	Check to be sure Charging Cord is Unplugged and properly stowed before operating the unit.
	Check Drive – Forward and Reverse Function.
	Check Lift – Raise and lower functions.
	Check Function for belly button reverse.
	Check horn function.
	Check brake Function.
Weekly	Check for corroded and loose terminals. A white powder substance will be present if there is any existing corrosion.
	Inspect battery case – There should be no cracks or visible damage to the battery case
	Check for evidence of hydraulic leaks.
	Check the level of fluid in the hydraulic tank and fill as necessary.
	Check that the forks are not bent or cracked.
	Check all moving parts and linkages.
Monthly	Check general condition of Electric pallet truck (loose or broken parts, oil, hanging wires and cracked or dented covers etc.)
	Check all the hydraulic fittings and hoses and make necessary repairs when needed.
	Make sure all precautionary labeling is in place and legible.
	Grease caster and load wheel bearings.
	Check all wheels for wear and damage and replace as necessary.
	Clean battery compartment area if there are signs of corrosion.
	Clean and inspect cylinder for dirt and signs of damage to the ram.
	Clean and inspect cylinder for dirt and signs of damage to the ram.

SECTION 7

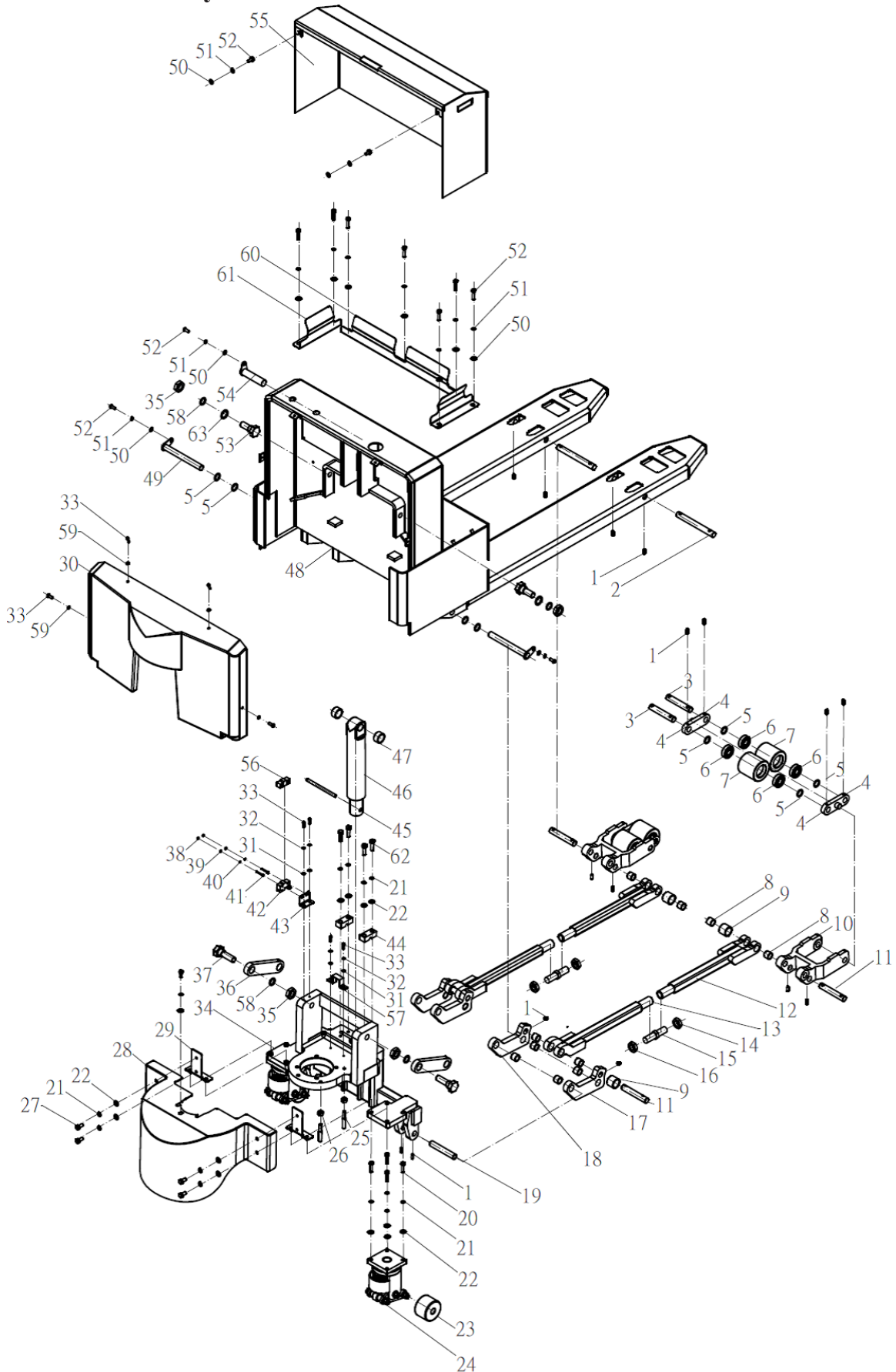
TROUBLESHOOTING

Before starting the troubleshooting, you have to:

- A. Put the truck on an even and solid surface.
- B. Turn off key switch or disconnect the battery terminals.

Unit will not lift (motor does not run)	Faulty wiring from fuse to lift switch handle
	Faulty lift switch
	Faulty wiring from battery positive terminal to pump contractor to pump motor
	Burned out brushes in pump motor
	Low hydraulic pressure caused by: <ul style="list-style-type: none"> - Pressure relief valve needs adjustment - Pump check valve stuck open - Faulty solenoid valve
	Faulty wiring from lift switch to solenoid
	Faulty lift contractor
	Defective control circuit fuse
	Check oil level
Forks will not lower	Check raise and lower lift contractor
No electrical power	Dead Batteries: <ul style="list-style-type: none"> - Keyswitch on "OFF" position - E-stop button depressed - Loose or dirty battery connections - Blown fuse(s)
	Faulty wiring from fuse to travel control switch
	Faulty control switch
	Faulty wiring from travel control switch direction contractor
	Faulty contractor

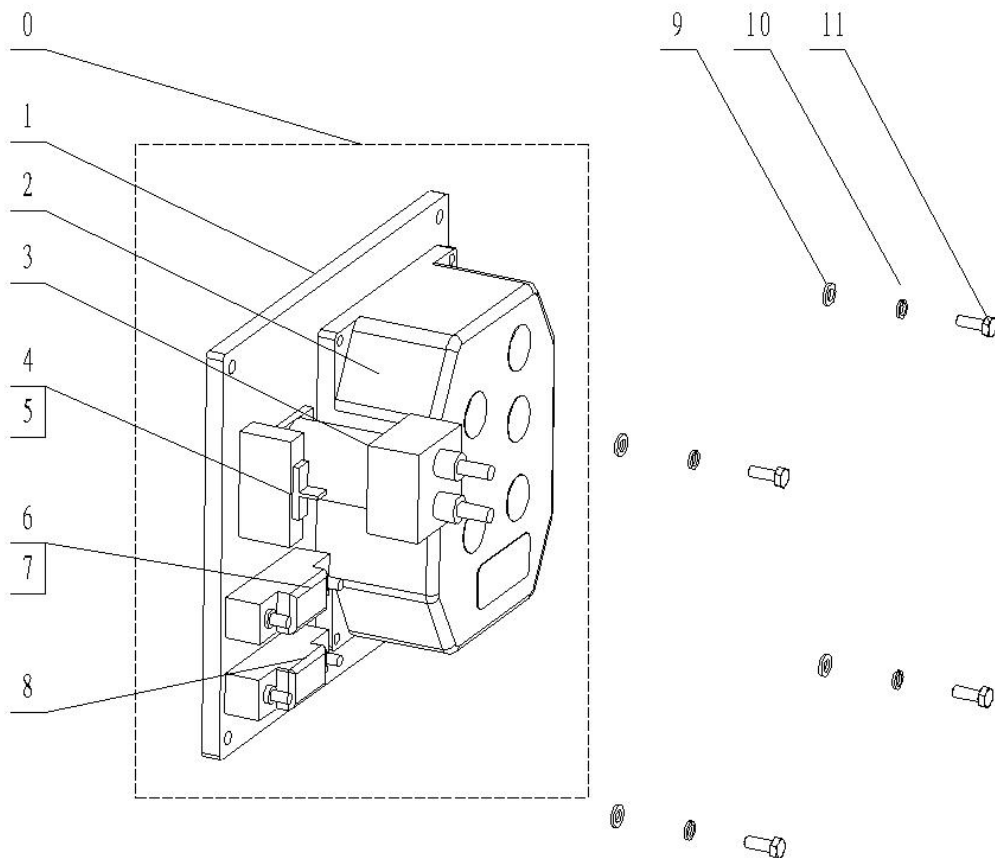
Figure 2: Truck Body



Item	Description	QTY
1	Hexagon Socket Set Screw	24
2	Shaft	2
3	Wheel Shaft	4
4	Wheel Mounting	4
5	Washer	8
6	Bearing	8
7	Wheel	4
8	Copper Sleeve	16
9	Sleeve	4
10	Wheel Seat	2
11	Shaft	4
12	Front Rod	2
13	Rear Rod	2
14	Thin Nut	2
15	Rod Bolt	2
16	Left Headed Thin Nut	2
17	Right Connecting Plate	2
18	Left Connecting Plate	2
19	Shaft	2
20	Bolt	8
21	Spring Washer	17
22	Plain Washer	17
23	Auxiliary Wheel	2
24	Auxiliary Wheel Support	2
25	Location Stud	2
26	Nut	2
27	Bolt	5
28	Bolt Drive Wheel Cover	1
29	Cover Mounting	2
30	Rear Cover	1
31	Washer	4
32	Spring Washer	4

Item	Description	QTY
33	Hexagon Socket Button Head Screw	8
34	Drive Seat	1
35	Nut	4
36	Link Arm	2
37	Connecting Bolt	2
38	Nut	2
39	Plain Washer	2
40	Spring Washer	2
41	Bolt	2
42	Micro Switch	1
43	Micro Switch Mounting	1
44	Shaft Mounting	2
45	Cylinder Shaft	1
46	Cylinder	1
47	Cylinder Sleeve	2
48	Chasis Assembly	1
49	Shaft	2
50	Plain Washer	12
51	Spring Washer	12
52	Bolt	12
53	Connecting Bolt	2
54	Cylinder Shaft	1
55	Battery Cover	1
56	Micro Switch Sheath	1
57	Cover Mounting	1
58	Spring Washer	4
59	Plain Washer	4
60	Battery Fix Plate	1
61	Side Fix Plate	2
62	Bolt	4
63	Washer	2

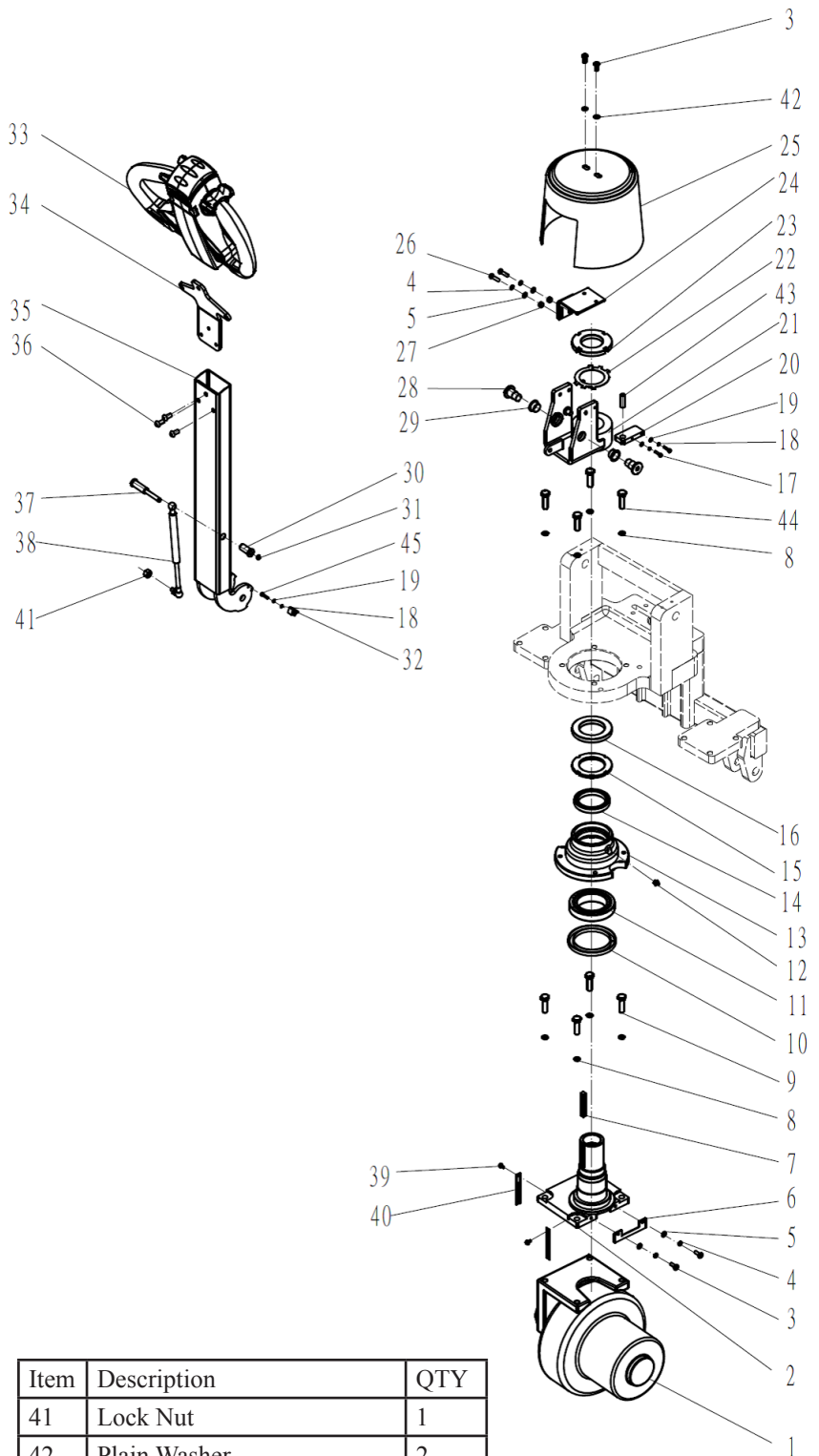
Figure 3: Control Panel



Item	Description	QTY
0	Controller Assembly	1
1	Aluminium Plate	1
2	Controller	1
3	Contactora, Master	1
4	Fuse 10A	1
5	Fuse Holder	1
6	Fuse S150A	1
7	Fuse Holder	1
8	Fuse S200A	1
9	Plain Washer	4
10	Spring Washer	4
11	Bolt	4

Figure 4: Suspension Assembly

Item	Description	QTY
1	Drive Wheel Assembly	1
2	Spindle Assembly	1
3	Hexagon Socket Screw	4
4	Spring Washer	4
5	Plain Washer	4
6	Plate	1
7	Key	1
8	Spring Washer	8
9	Bolt	4
10	Seal	1
11	Bearing	1
12	Grease Nipple	1
13	Spindle Seat	1
14	Bearing	1
15	Bearing Washer	1
16	Lock Nut	1
17	Hexagon Socket Button HeadScrew	2
18	Spring Washer	5
19	Plain Washer	5
20	Proximity Switch Mounting	1
21	Connection Seat	1
22	Lock Washer	1
23	Lock Nut	1
24	Spindle Cover Mounting	1
25	Cover	1
26	Bolt	2
27	Nut	2
28	Bolt	2
29	Shaft Sleeve	2
30	Sleeve	1
31	Snap Ring	1
32	Block Limited	1
33	Control Handle	1
34	Anchor, Handle	1
35	Rocker	1
36	Screw	3
37	Shaft	1
38	Gas Spring	1
39	Screw	2
40	Wire Mounting	2



Item	Description	QTY
41	Lock Nut	1
42	Plain Washer	2
43	Proximity Switch	1
44	Bolt	4
45	Bolt	1

Figure 5: Drive Assembly

Item	Description	QTY
0	Drive Wheel Assembly	1
1	Motor	1
2	Key	1
3	Key	1
4	Helical Gear	1
5	Snap Ring	1
6	Hexagon Socket Head Screw	10
7	Pin	2
8	Wheel	1
9	Oil Seal	1
10	Snap Ring	1
11	Bearing	1
12	Annular Gear	1
13	Seal Ring	1
14	Gasket	1
15	Bearing	2
16	Helical Gear	1
17	Key	1
18	Gear Shaft	1
19	Spacer	1
20	Snap Ring	1
21	Plug	1
22	Hexagon Socket Head Screw	3
23	Braker	1
24	Hexagon Socket Head Screw	4
25	Connection Disc	1
26	Bearing	1
27	Hexagon Socket Head Screw	3
28	Box	1

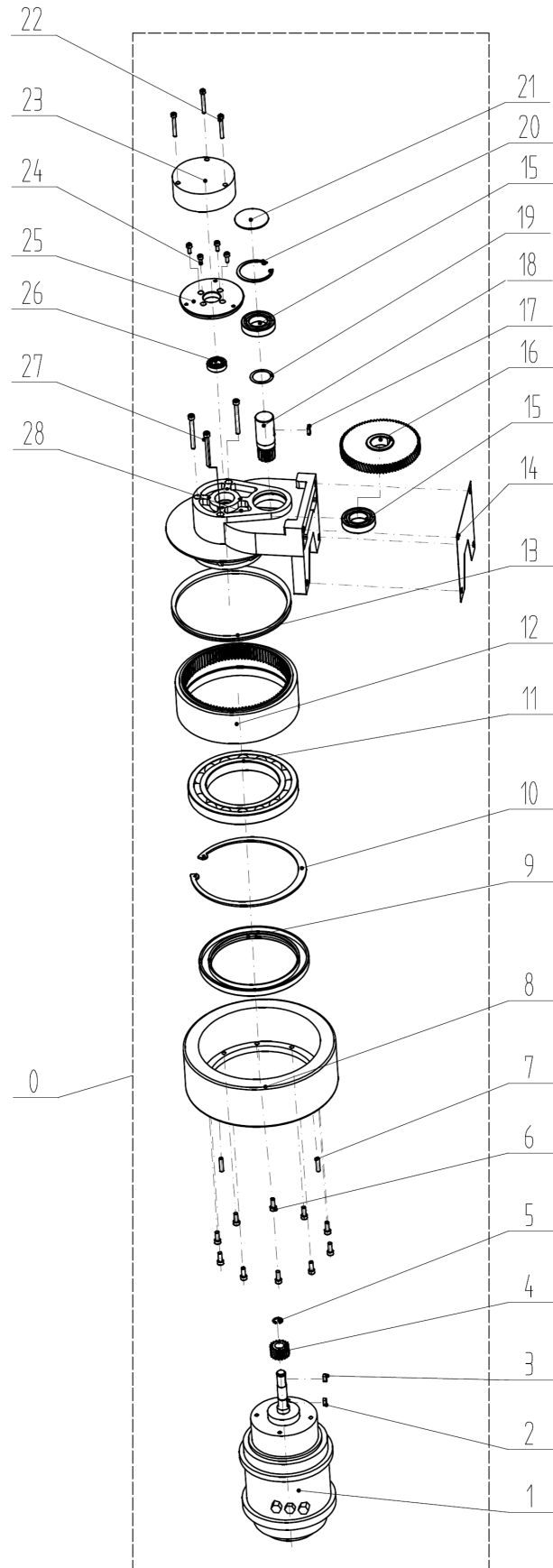
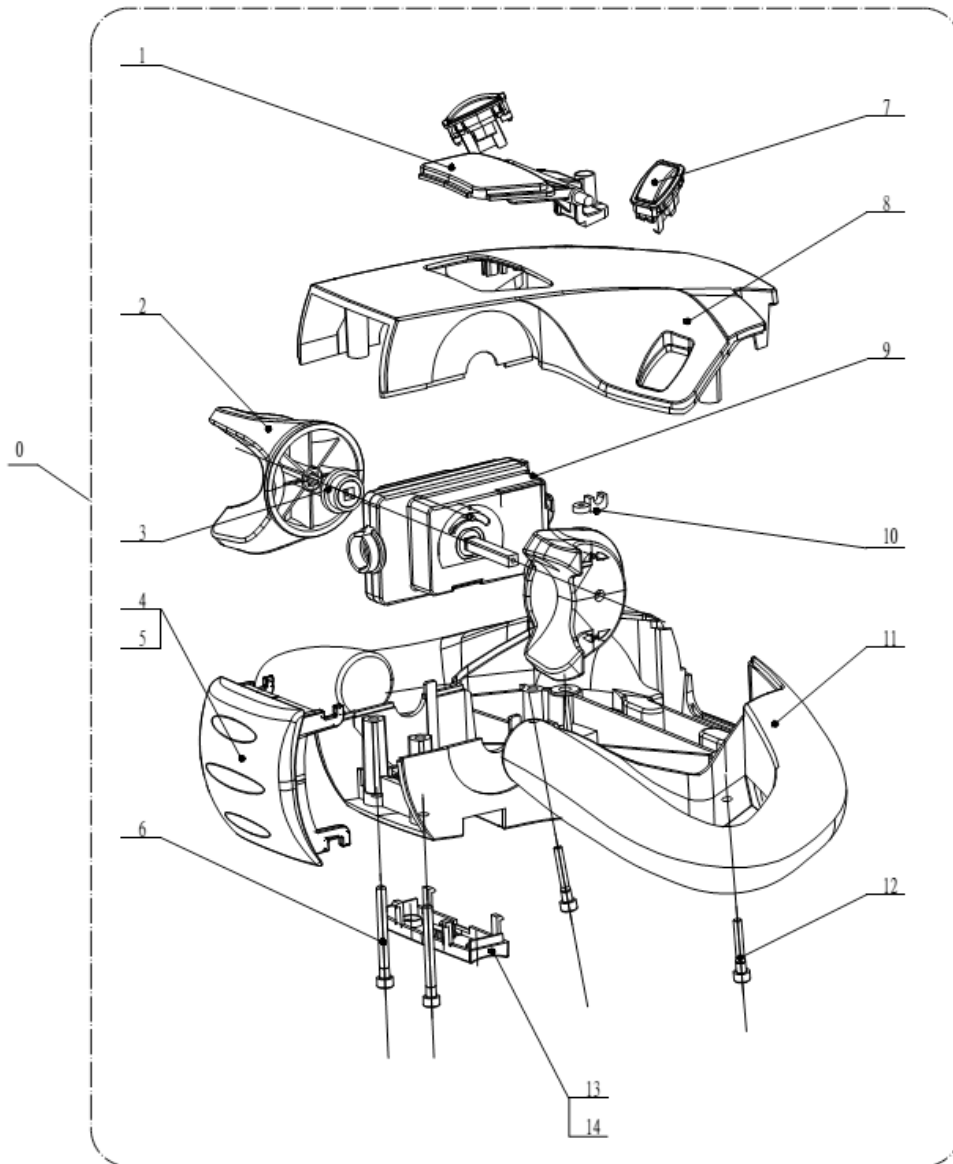


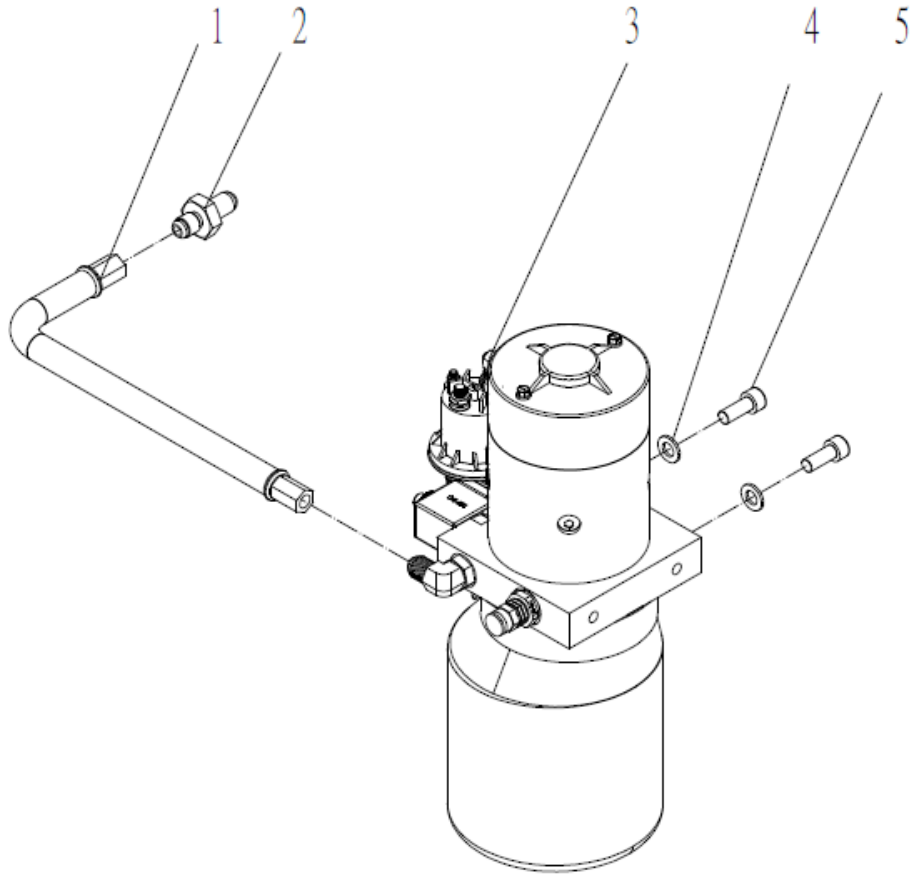
Figure 6: Control Pod



Item	Description	QTY
0	Control Pod Assembly	1
1	Button, Horn	1
2	Knob	2
3	Bearing	2
4	Belly Switch	1
5	Spring	1
6	Hexagon Socket Screw	2
7	Switch, Lift	2

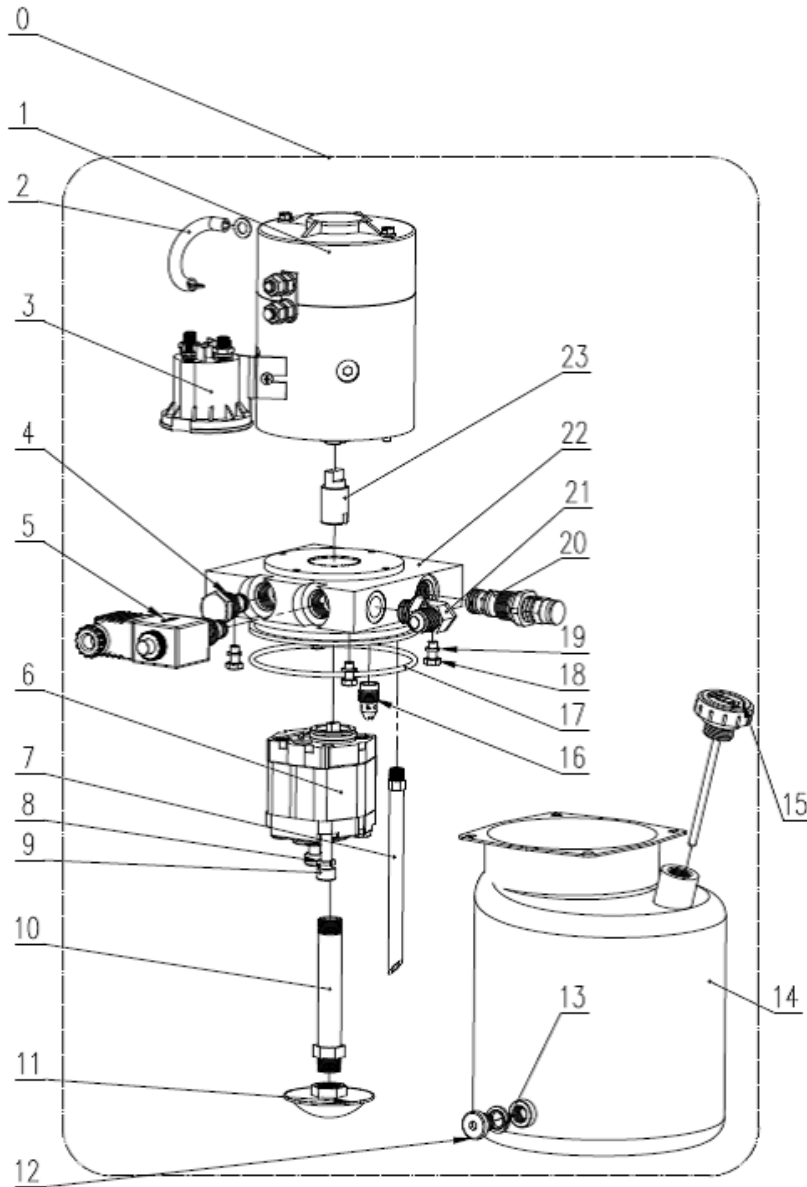
8	Top Cover	1
9	Accelerator Assembly	1
10	Snap Ring	2
11	Base	1
12	Hexagon Socket Screw	2
13	Button	1
14	Spring	2

Figure 7: Hydraulic System



Item	Description	QTY
1	Oil Pipe	1
2	Connector	1
3	Hydraulic Assembly	1
4	Spring Washer	2
5	Hexagon Socket Screw	2

Figure 8: Power Unit

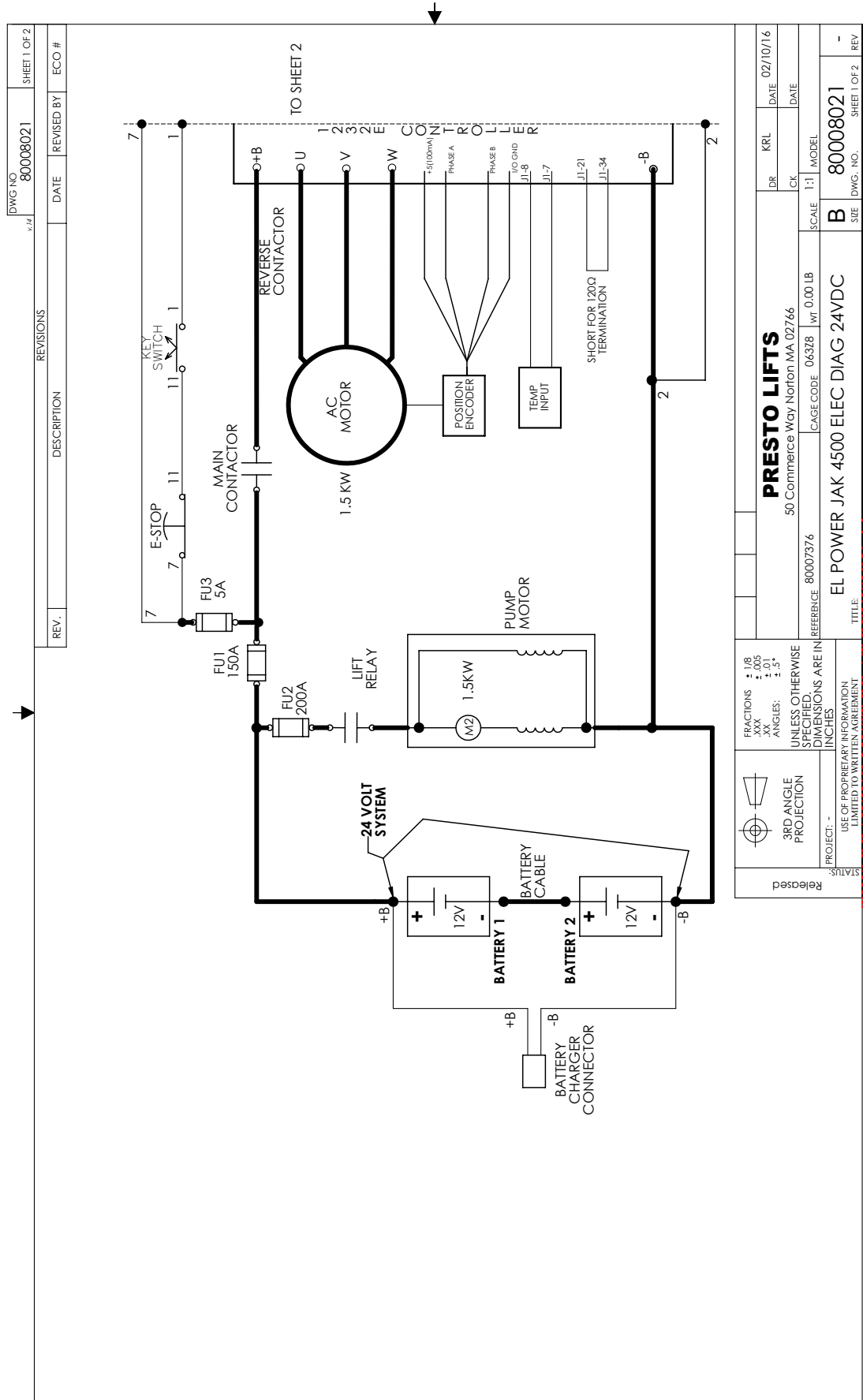


Item	Description	QTY
0	Hydraulic Power Unit Assembly	1
1	Motor	1
2	Connecting Wire	1
3	Switch	1
4	One-Way Valve	1
5	Control Valve	1
6	Gear Pump	1
7	Oil Back Pipe	1

Item	Description	QTY
8	Spring Washer	2
9	Bolt	2
10	Oil Sucking Pipe	1
11	Strainer	1
12	Plug	1
13	Combination Washer	1
14	Tank	1
15	Tank Plug	1

Item	Description	QTY
16	Pressure Filling Valve	1
17	O-Ring	1
18	Bolt	4
19	Spring Washer	4
20	Overflow Valve	1
21	Connector	1
22	Valve Block	1
23	Coupling	1

**Figure 9:
Electrical-
Diagram-
24VDC - 1**

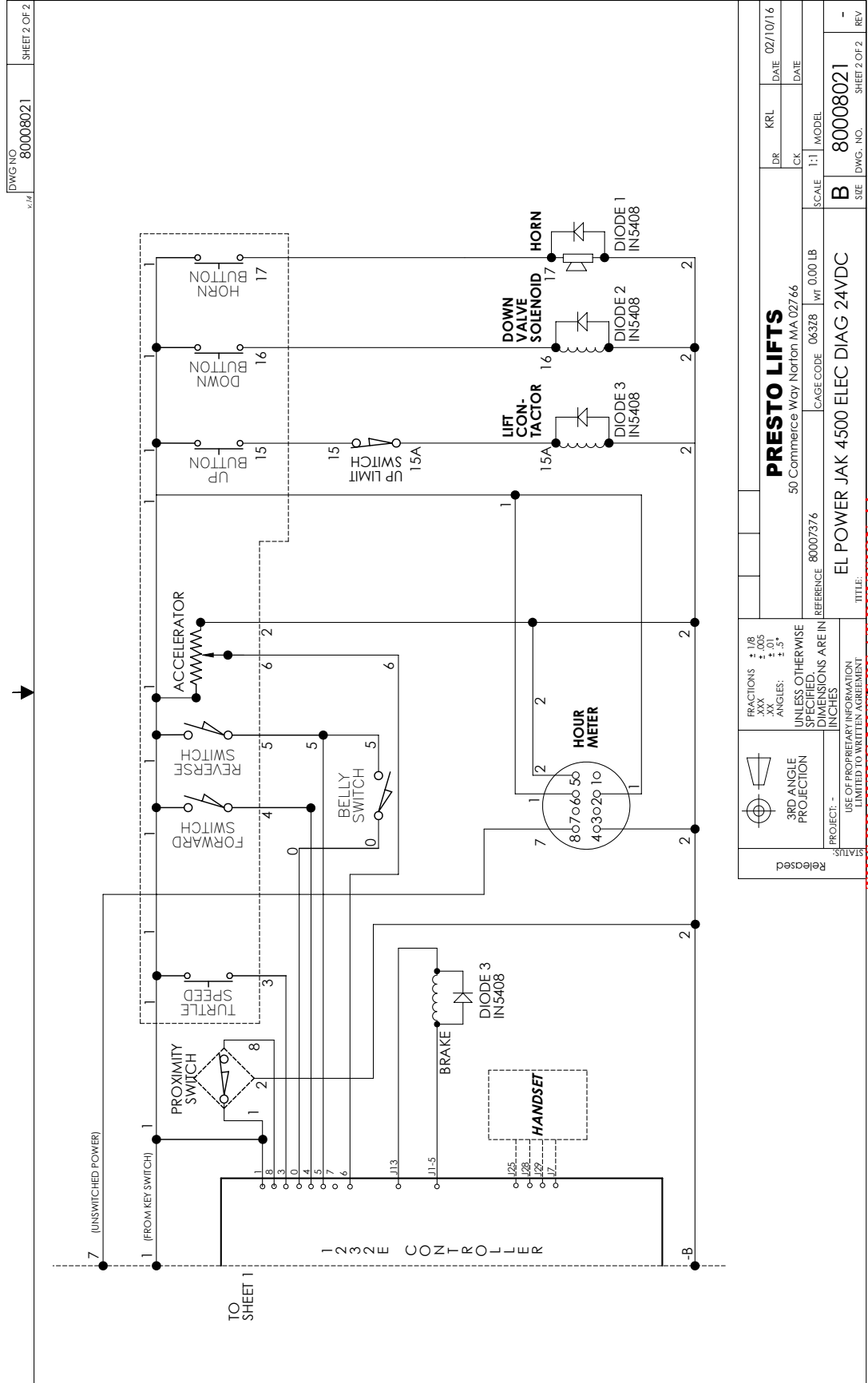


REV.	DESCRIPTION	DATE	REVISED BY	ECO #

DWG. NO.	80008021	SHEET 1 OF 2
REV. 1/14		

FRACCTIONS ±.05 XX ANGLES: ±.5°	UNLESS OTHERWISE SPECIFIED, DIMENSIONS ARE IN INCHES	PROJECT: -	USE OF PROPRIETARY INFORMATION LIMITED TO WRITTEN AGREEMENT
3RD ANGLE PROJECTION	Released		
REFERENCE: 80007376	CAGE CODE: 06328	WT: 0.00 LB	SCALE: 1:1
PRESTO LIFTS 50 Commerce Way Norton MA 02766		DR: KRL	DATE: 02/10/16
EL POWER JAK 4500 ELEC DIAG 24VDC		CK:	DATE:
TITLE:		SIZE: B	MODEL: 80008021
THIS DRAWING MUST BE AT REVISION: 5		DWG. NO.:	SHEET 1 OF 2
		REV:	REV

**Figure 10:
Electrical-
Diagram-
24VDC - 1**



DWG NO. 80008021
v.14 SHEET 2 OF 2

<p>FRACTIONS: ± 1/8 XXX ± .005 XX ± .01 ANGLES: ± .5°</p>		DR	KRL	DATE	02/10/16
<p>UNLESS OTHERWISE SPECIFIED, DIMENSIONS ARE IN INCHES</p>		CK		DATE	
<p>3RD ANGLE PROJECTION</p>		SCALE	1:1	MODEL	
<p>PROJECT: -</p>		REFERENCE	80007376	CAGE CODE	06328
<p>USE OF PROPRIETARY INFORMATION, LIMITED TO WRITTEN AGREEMENT.</p>		WT	0.00 LB		
<p>Released</p>		TITLE	EL POWER JAK 4500 ELEC DIAG 24VDC		
<p>PRESTO LIFTS 50 Commerce Way Norton MA 02766</p>		SIZE	B	DWG. NO.	80008021
<p>THIS DRAWING MUST BE AT REVISION: -</p>				SHEET 2 OF 2	REV. -

Figure 11: Label Location

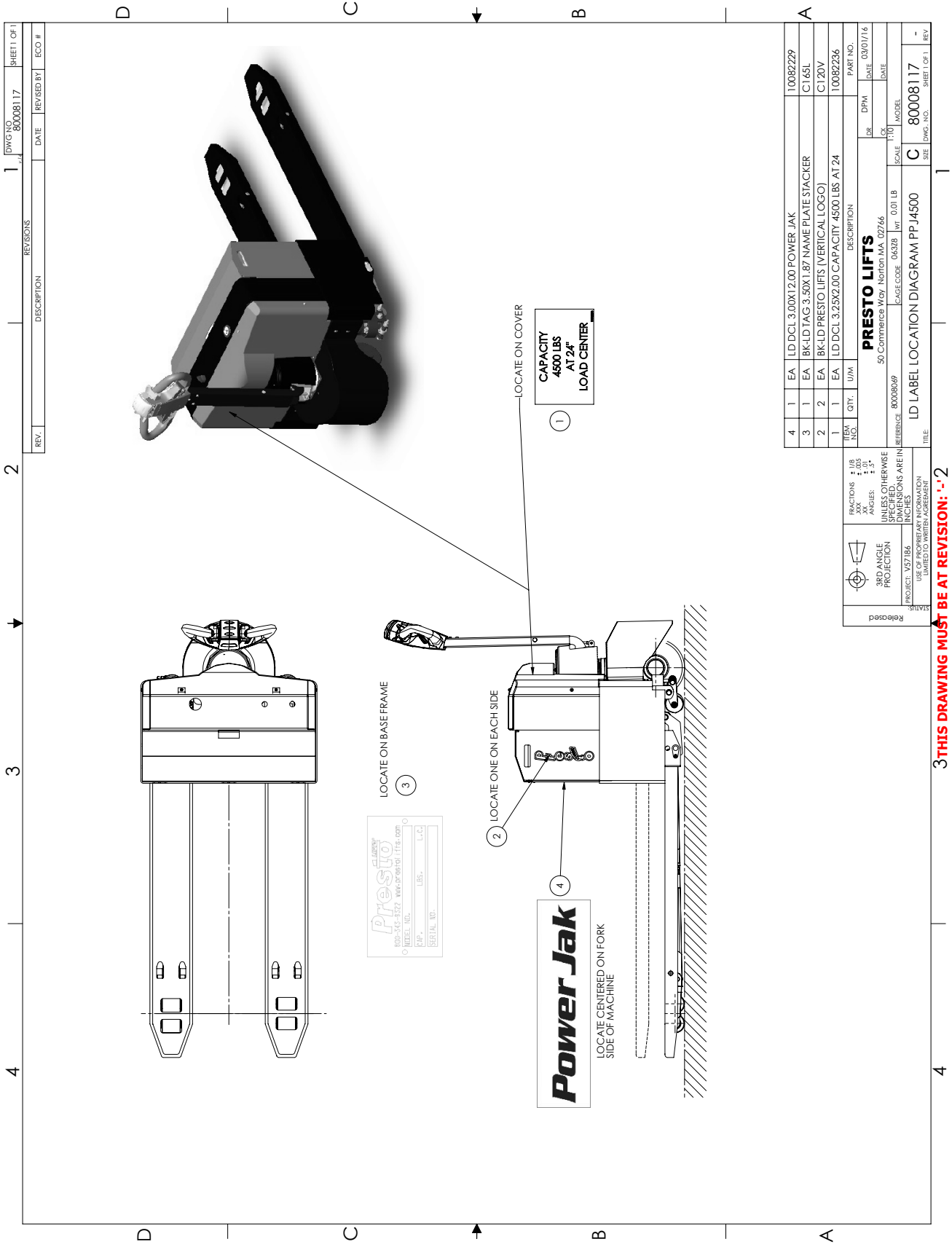


Table 1 – Hydraulic Oil Specifications

If the lift will be used at normal ambient temperatures, Presto Lifts supplies the unit with Conoco Super Hydraulic 32 oil. This may be replaced by any other good quality oil with 150 SSU at 100° F and rust and oxidation inhibitors and anti-wear properties.

If the lift will be used at ambient temperatures below 0°F, use aircraft hydraulic oil. Use Type 15 aircraft hydraulic oil.

The following are equivalent to Conoco Super Hydraulic 32:

TYPE	MANUFACTURER
AW32	CITGO
DTE 24	EXXON/MOBIL
NUTO H32	EXXON/MOBIL
AMOCO AW32	CHEVRON (AMOCO CO.)

CAUTION!

It is very important to keep the hydraulic oil free of dirt, dust, metal chips, water, and other contamination. Most of the problems with hydraulic systems are caused by contamination in the oil.

Ordering Replacement Parts

Presto Lifts has carefully chosen the components in your unit to be the best available for the purpose. Replacement parts should be identical to the original equipment. Presto Lifts will not be responsible for equipment failures resulting from the use of incorrect replacement parts or from unauthorized modifications to the unit.

Presto Lifts can supply all replacement parts for your lift. With your order, please include the model number and the serial number of the unit. You can find these numbers on the name plate. This plate is located within the cabinet, or the angle iron cylinder cross support.

To order replacement parts, please call the Presto Parts Department. Parts are shipped subject to the following terms:

- FOB factory
- Returns only with the approval of our Parts Department.
- Credit cards preferred (except parts covered by warranty).
- Freight collect for truck (except parts covered by warranty).
- Freight - prepaid and invoice for small parcel shipments (except parts covered by warranty).
- The warranty for repair parts is 30 days from date of shipment.

Parts replaced under warranty are on a “charge-credit” basis. We will invoice you when we ship the replacement part, then credit you when you return the worn or damaged part, and we verify that it is covered by our warranty. Labor is not covered under warranty for Parts orders.

Presto Lifts Parts Department
50 Commerce Way, Norton, MA 02766

Telephone: 800-343-9322

FAX: 888-788-6496

Email: Service@PrestoLifts.com

www.PrestoLifts.com

RESTOCKING POLICY

PARTS

Standard parts may be returned with a 20% restocking fee. Modified or custom-engineered parts are not returnable. Unfortunately, due to potentially concealed damage, all sales of electrical assemblies are final.

QUALITY ISSUES

Should you feel there is a quality problem, please contact the seller to ask questions and gather information on how to rectify the issue. Presto Lift Inc. reserves the right to determine potential credits, as a result of factory defects, based on its inspection of the merchandise.

GENERAL

All products shipped from our factory have passed Quality Assurance inspection and testing. The carrier of choice has signed for, and accepted the product in new working condition. The customer should inspect to ensure it is not received damaged, has no concealed damage or is not incomplete. Parts orders are determined to be complete based upon Presto Lift, Inc. inspection sheets and carrier shipping weights.

MANY NEEDS REQUIRE MANY OPTIONS...

Presto LIFTS



LET PRESTO MEET THOSE NEEDS!

Call Presto Sales
for stock or
customized lift inquiries:
800-343-9322

Email: sales@prestolifts.com

